

注記
NOTES:

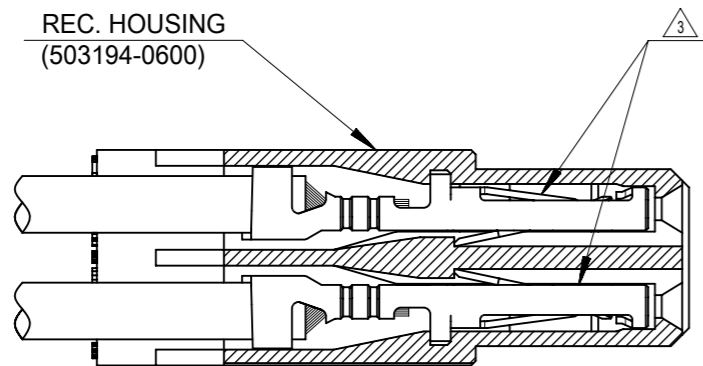
- 材質
MATERIAL
ナイロン (PA), ガラス充填, UL94V-0, 色: 自然色 (白)
NYLON (PA), GRASS FILLED, UL94V-0, COLOR: NATURAL (WHITE)
- 嵌合相手: 503193-0600
MATE WITH: 503193-0600
- 適合端子: 503196シリーズ
APPLICABLE TERMINAL: 503196 SERIES
- 適合シェル: 58687-00*0 (プラグシェルアッセンブリ)
58691-00*0 (リセクタブルシェルアッセンブリ)
APPLICABLE SHELL: 58687-00*0 (PLUG SHELL ASSEMBLY)
58691-00*0 (REC. SHELL ASSEMBLY)
- 適用端子引抜き工具: 578056-6000
APPLICABLE TERMINAL EXTRACTION TOOL: 578056-6000
- ハーネス加工時及び輸送時においては、コネクタ間での絡みや衝撃、梱包時の積み重ねによる負荷がかからないように御注意願います。
WHEN TAKING A HARNESS CONNECTOR SHALL BE USED FREE FORM DIRECT EXCESSIVE FORCE AND TWISTED.
- 製品の取扱いについては、コネクタ取扱い説明書 (AS-58696-001) を参照願います。
PLEASE REFER TO USER'S MANUAL (AS-58696-001) FOR ROBOT CONN.
- ELV及びRoHS適合品
ELV AND RoHS COMPLIANT

503194-0600	503194-06**	6
PLASTIC BAG	MODEL No.	CIRCUIT 極数
オーダー番号 ORDER No.		

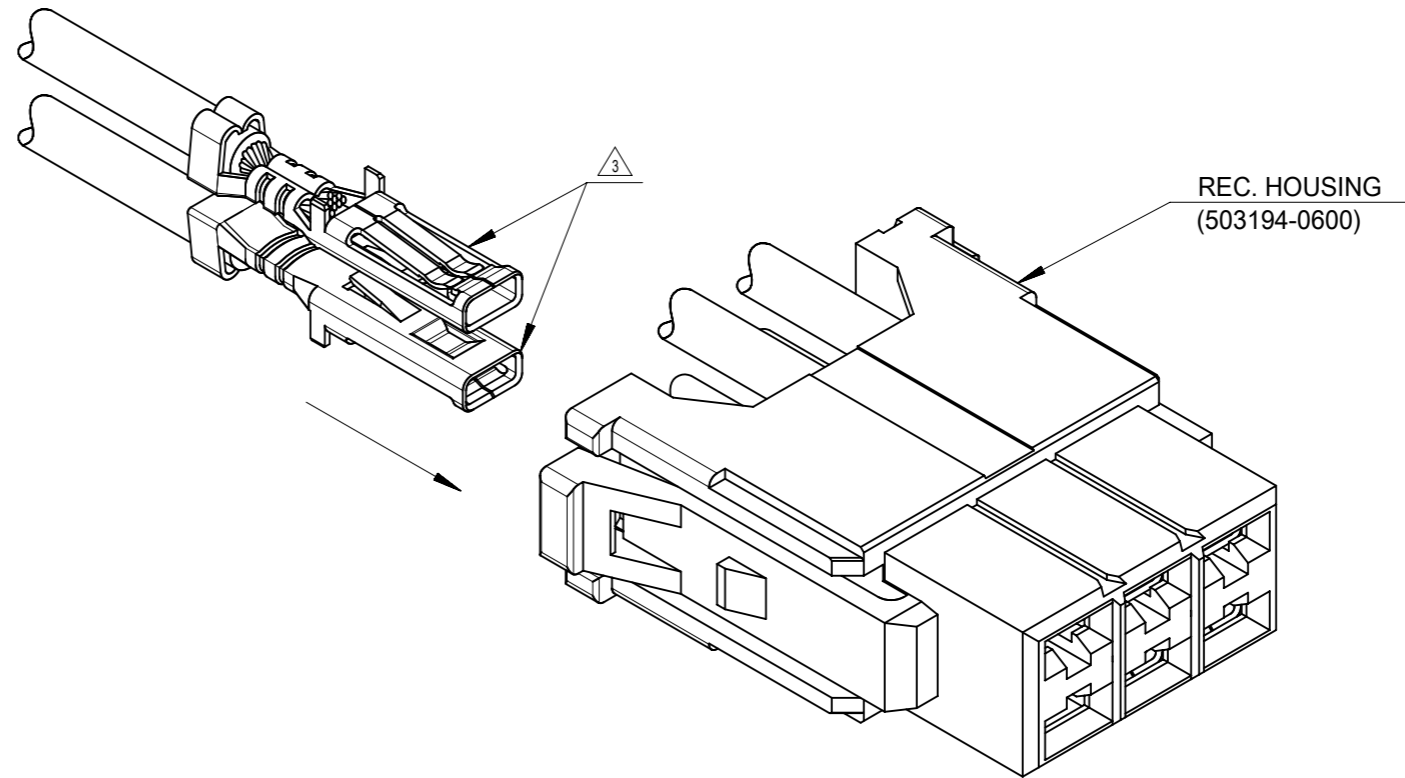
GENERAL TOLERANCES (UNLESS SPECIFIED)	
10 UNDER	± 0.2
10 OVER 30 UNDER	± 0.25
30 OVER	± 0.3
ANGULAR	± 3°
DRAFT WHERE APPLICABLE MUST REMAIN WITHIN DIMENSIONS	

THIS DRAWING CONTAINS INFORMATION THAT IS PROPRIETARY TO MOLEX ELECTRONIC TECHNOLOGIES, LLC AND SHOULD NOT BE USED WITHOUT WRITTEN PERMISSION

DIMENSION UNITS	SCALE	CURRENT REV DESC: RETRACTED AS PER THE REQUEST CASE #01114726		
mm	1:1	<p>molex</p> <p>ROBOT CONN. 6P REC. HOUSING</p> <p>PRODUCT CUSTOMER DRAWING</p>		
GENERAL TOLERANCES (UNLESS SPECIFIED)				
ANGULAR TOL	± 3.0°	EC NO: 831459	2025/07/17	
4 PLACES	± 0.2	DRWN: VISHAH2	2025/08/13	
3 PLACES	± 0.25	CHK'D: GB	2025/08/13	
2 PLACES	± 0.3	APPR: GB		
1 PLACE	±	INITIAL REVISION:		
0 PLACES	±	DRWN: SAKIYAMA	2008/03/25	
		APPR: SICHIKAWA	2008/03/26	
DRAFT WHERE APPLICABLE MUST REMAIN WITHIN DIMENSIONS		THIRD ANGLE PROJECTION	DRAWING	SERIES
			A3-SIZE	503194
		MATERIAL NUMBER	CUSTOMER	SHEET NUMBER
		SEE TABLE	GENERAL MARKET	1 OF 2



端子装着状態図
CRIMP TERMINAL ASSEMBLY



端子挿入方向
DIRECTION OF TERMINAL INSERTION

GENERAL TOLERANCES (UNLESS SPECIFIED)	
10 UNDER	± 0.2
10 OVER 30 UNDER	± 0.25
30 OVER	± 0.3
ANGULAR	± 3°
DRAFT WHERE APPLICABLE MUST REMAIN WITHIN DIMENSIONS	

THIS DRAWING CONTAINS INFORMATION THAT IS PROPRIETARY TO MOLEX ELECTRONIC TECHNOLOGIES, LLC AND SHOULD NOT BE USED WITHOUT WRITTEN PERMISSION									
DIMENSION UNITS	SCALE	CURRENT REV DESC: RETRACTED AS PER THE REQUEST CASE #01114726							
mm	1:1	molex ROBOT CONN. 6P REC. HOUSING PRODUCT CUSTOMER DRAWING							
GENERAL TOLERANCES (UNLESS SPECIFIED)									
ANGULAR TOL	± 3.0°	EC NO: 831459	2025/07/17	DOCUMENT NUMBER: SD-503194-001 DOC TYPE: PSD DOC PART: 001 REVISION: B					
4 PLACES	± 0.2	DRWN: VISHAH2	2025/08/13						
3 PLACES	± 0.25	CHK'D: GB	2025/08/13	INITIAL REVISION: DRWN: SAKIYAMA APPR: SICHIKAWA 2008/03/25 2008/03/26					
2 PLACES	± 0.3	APPR: GB	2025/08/13						
1 PLACE	±	THIRD ANGLE PROJECTION		DRAWING	SERIES	MATERIAL NUMBER	CUSTOMER	SHEET NUMBER	
0 PLACES	±			A3-SIZE	503194	SEE TABLE	GENERAL MARKET	2 OF 2	
DRAFT WHERE APPLICABLE MUST REMAIN WITHIN DIMENSIONS									