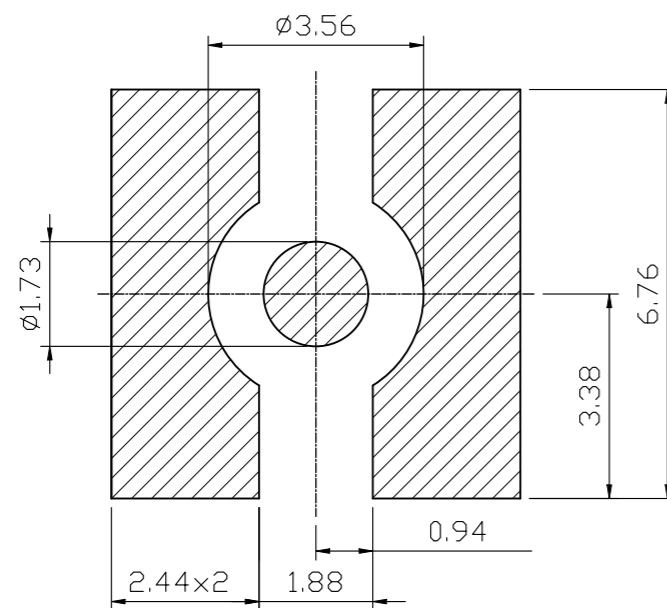
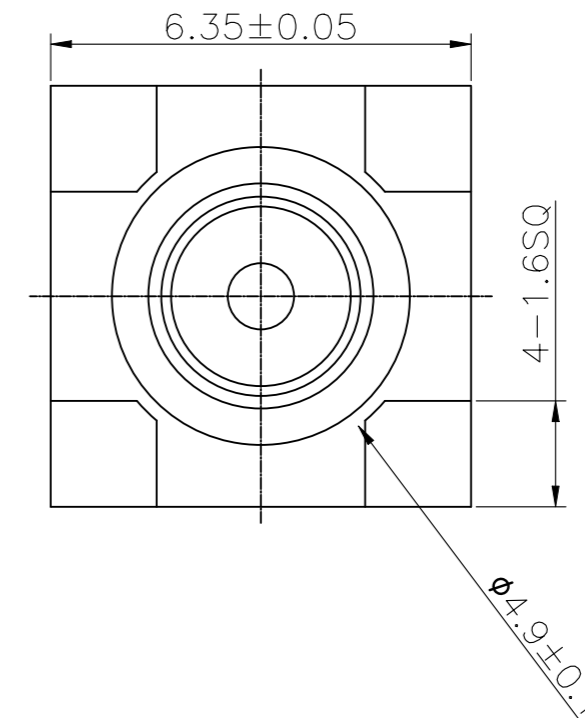
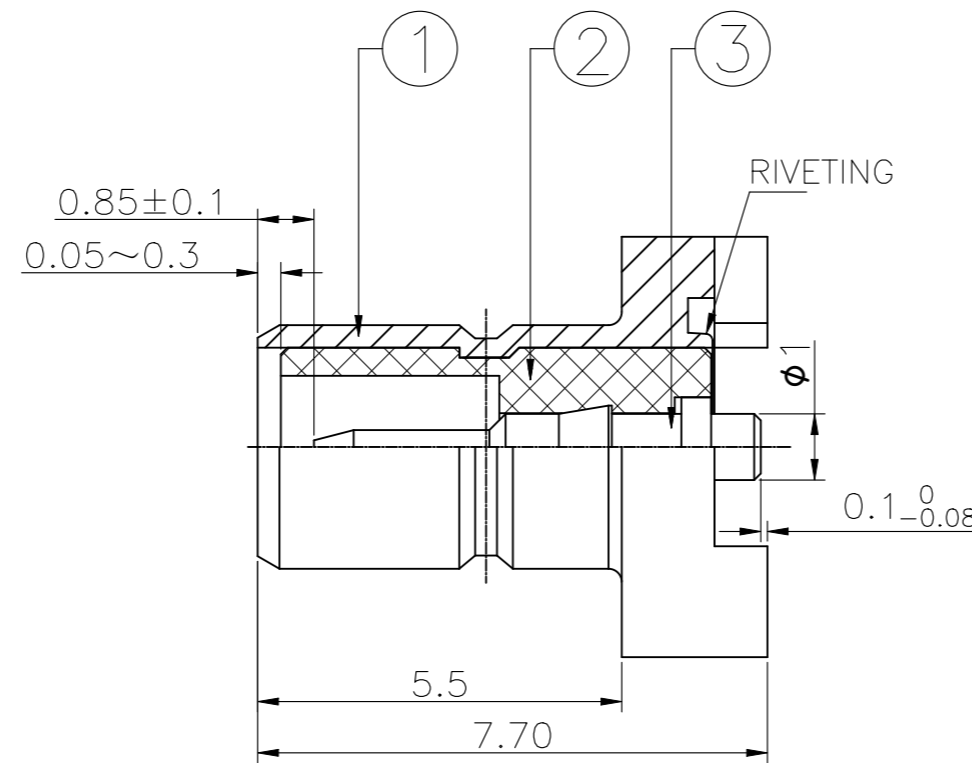


NOTES:

- ① PACK IN ACCORDANCE WITH AMP SPEC 107-3275
- ② 100 TRAY PACK IN ACCORDANCE WITH AMP SPEC 107-3275
- ③ Au PLATING

P	LTR	DESCRIPTION	DATE	DWN	APVD
	D2	REVISED AS PER ECN-26-376654	02APR2026	YS	WZ



RECOMMENDED PCB LAYOUT

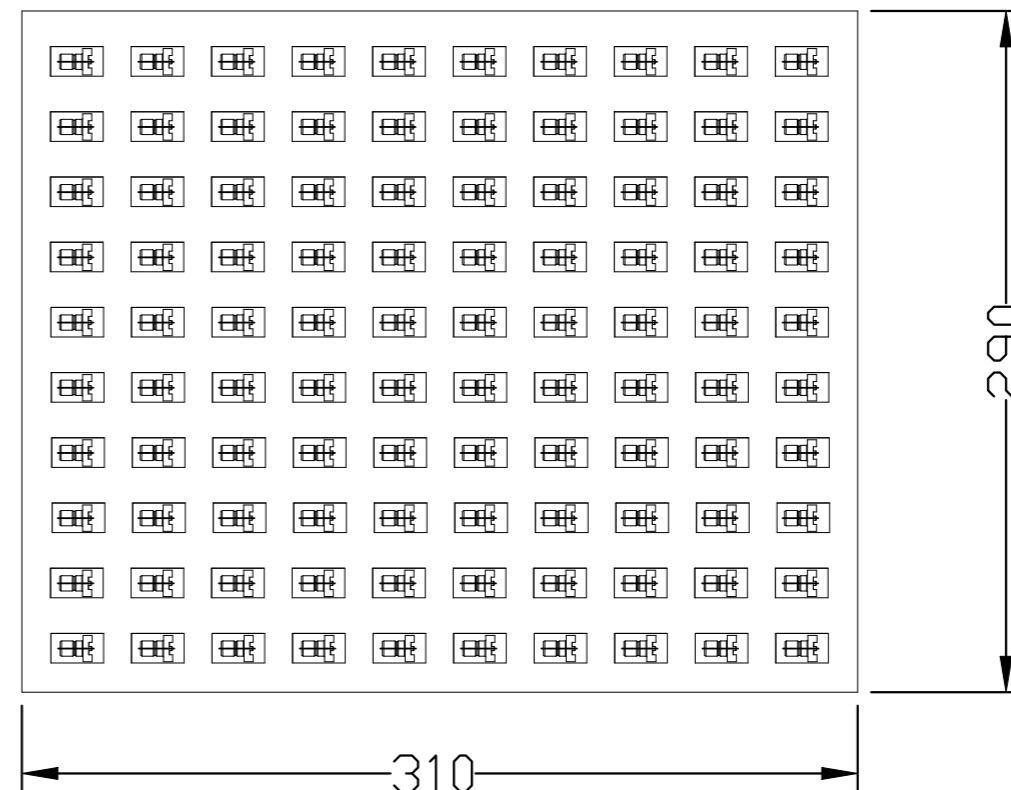
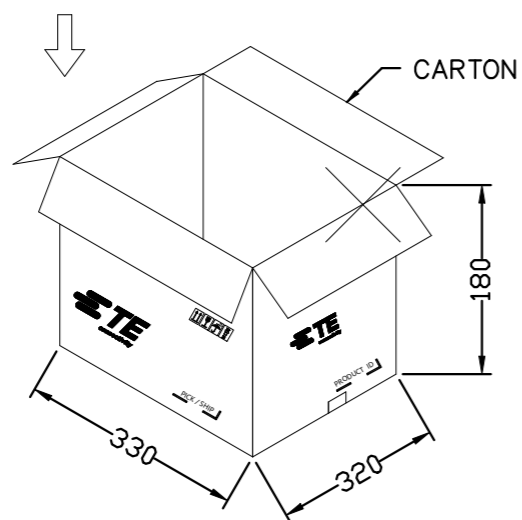
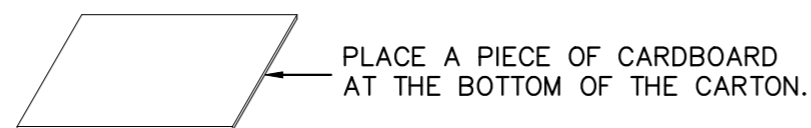
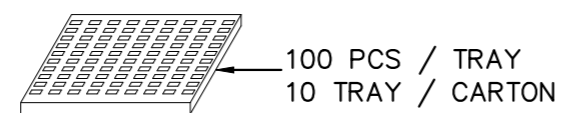
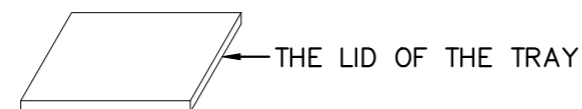
NOTE:
REFER TO SHEET 2 FOR THE PACKAGING DETAILS OF 6-1337604-0

QTY	PLC	DESCRIPTION	ITEM
1	1	BRASS	CONTACT 3
1	1	PTFE	INSULATION 2
1	1	BRASS	BODY 1
6--0	1--0	MATERIAL	DESCRIPTION
			ITEM

THIS DRAWING IS A CONTROLLED DOCUMENT.		DWN	J.SANDWELL	13FEB06	QUANTITY PER ASSY		PARTS LIST	
DIMENSIONS: mm		CHK	S.PARLOW	13FEB06	TE Connectivity Ltd.			
TOLERANCES UNLESS OTHERWISE SPECIFIED:		APVD	F.WHEELER-KING	13FEB06				
0 PLC ± - 1 PLC ± 0.2 2 PLC ± 0.1 3 PLC ± - 4 PLC ± - ANGLES ± -		PRODUCT SPEC	NAME		SMB SURFACE MOUNT STRAIGHT PCB SOCKET 50 OHM			
MATERIAL		APPLICATION SPEC	-		SIZE	CAGE CODE	DRAWING NO	RESTRICTED TO
SEE TABLE		FINISH	-		0	A300779	C-1337604	-
CUSTOMER DRAWING					SCALE	NTS	SHEET	1 OF 2
					REV	D2		

REVISIONS

P	LTR	DESCRIPTION	DATE	DWN	APVD
-	-	SEE SHEET 1	-	-	-



- NOTE:
1. 100PCS/TRAY
2. 1000PCS/CARTON

THIS DRAWING IS A CONTROLLED DOCUMENT.		DWN J.SANDWELL 13FEB06	STE TE Connectivity Ltd.					
DIMENSIONS: mm		CHK S.PARLOW 13FEB06						
TOLERANCES UNLESS OTHERWISE SPECIFIED:		APVD F.WHEELER-KING 13FEB06	NAME SMB SURFACE MOUNT STRAIGHT PCB SOCKET 50 OHM					
0 PLC ± -		PRODUCT SPEC	-					
1 PLC ± 0.2		APPLICATION SPEC	-					
2 PLC ± 0.1		WEIGHT	SIZE	CAGE CODE	DRAWING NO	RESTRICTED TO		
3 PLC ± -		-	A3	00779	C-1337604	-		
4 PLC ± -								
ANGLES ± -		CUSTOMER DRAWING				SCALE	SHEET	REV
MATERIAL SEE TABLE		FINISH -				NTS	2 OF 2	D2