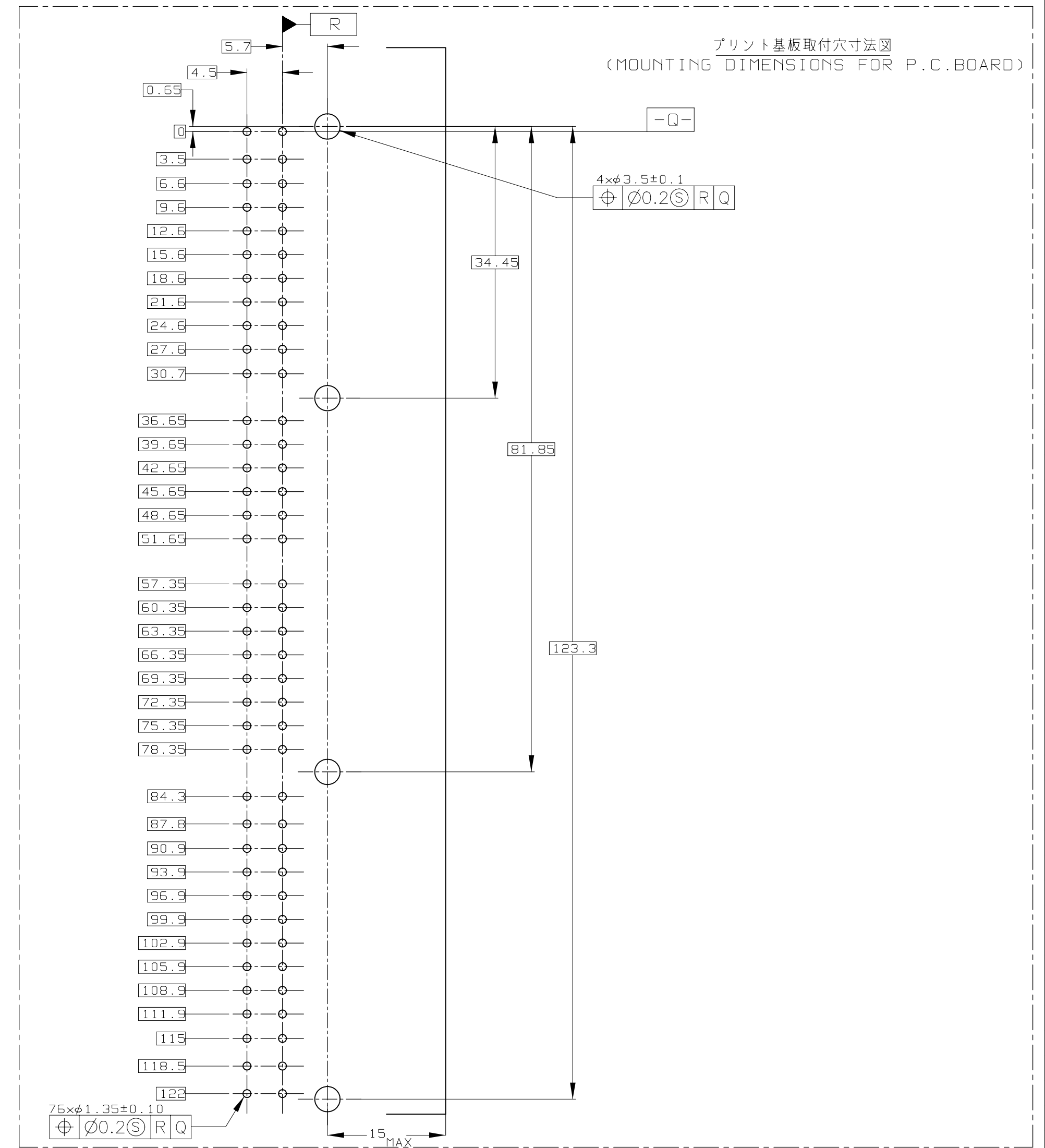
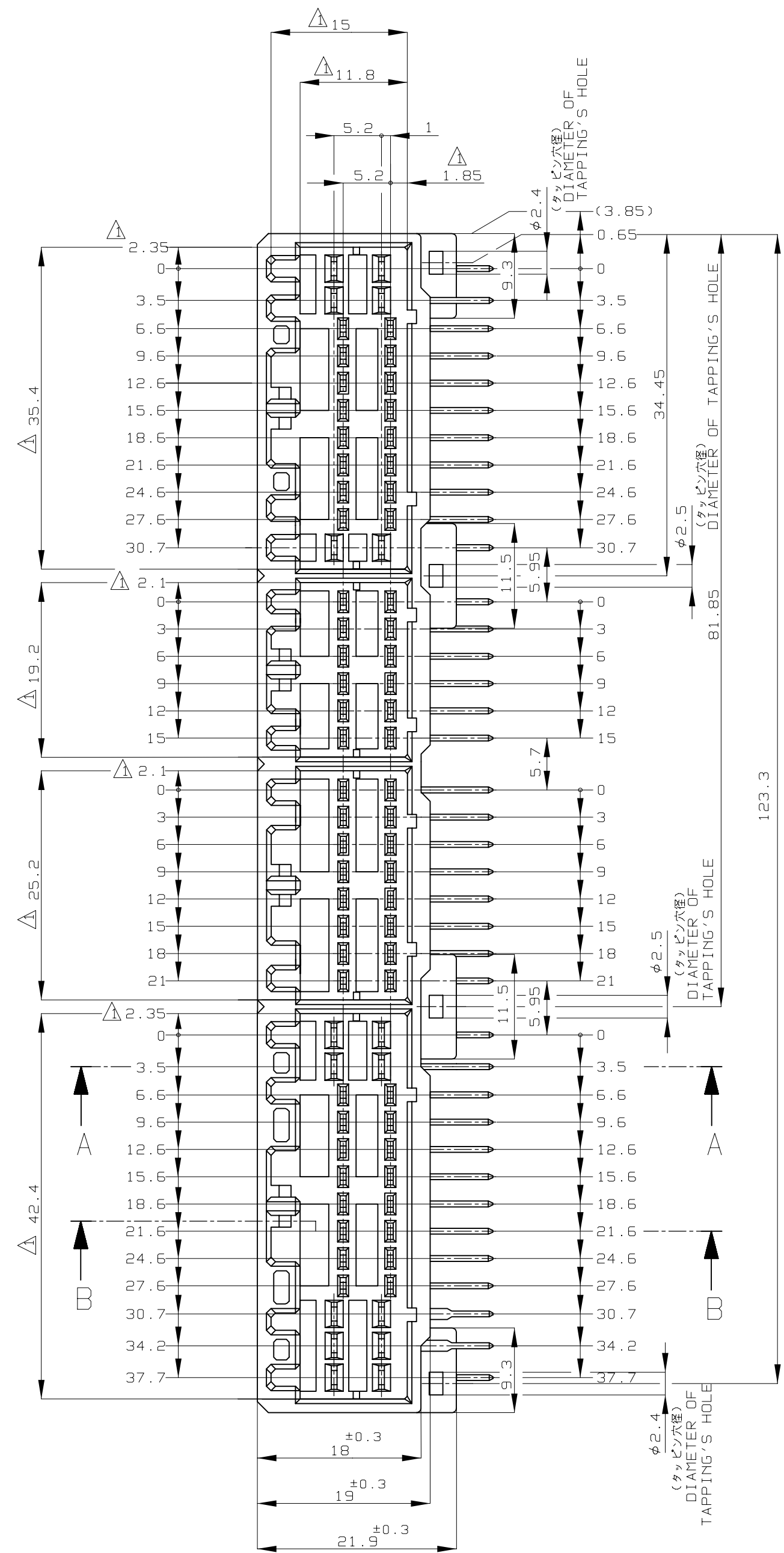
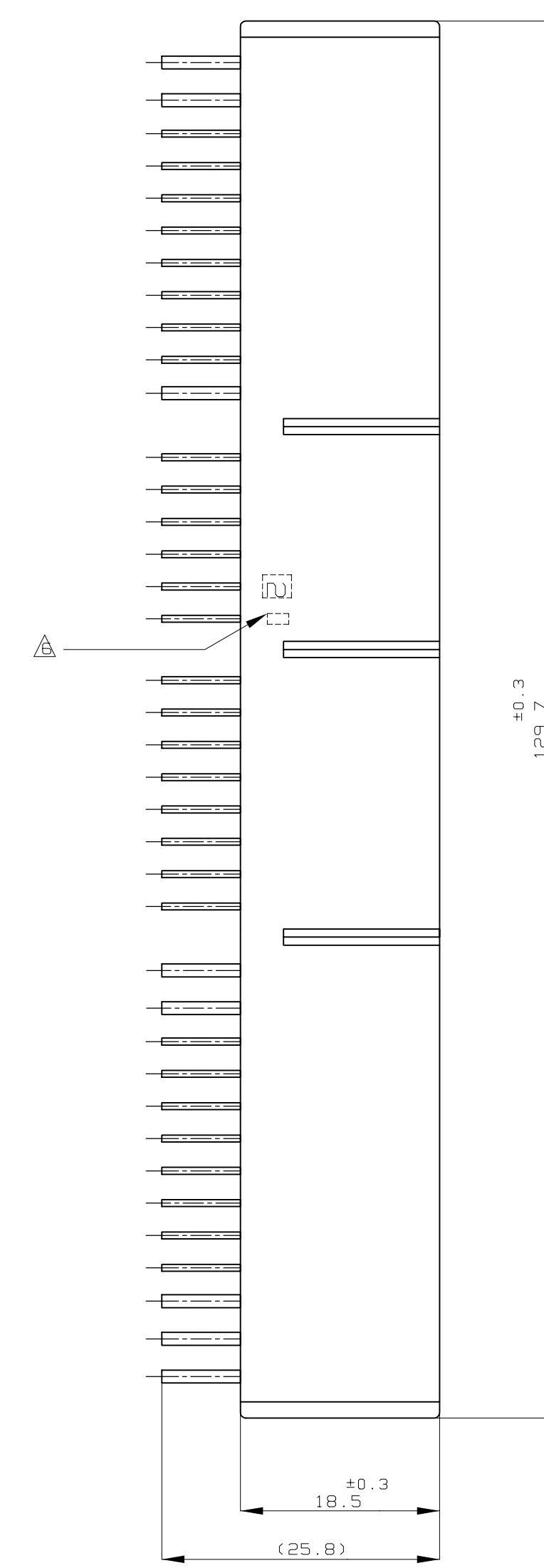
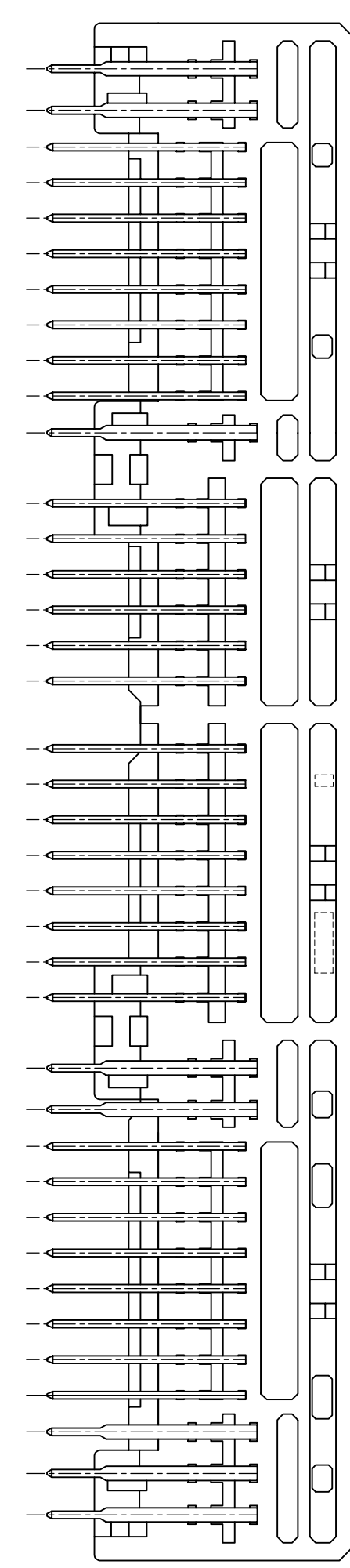
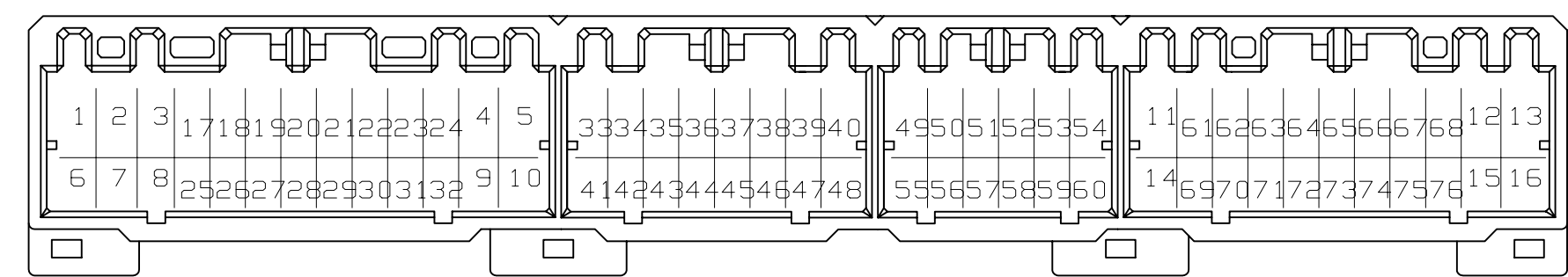
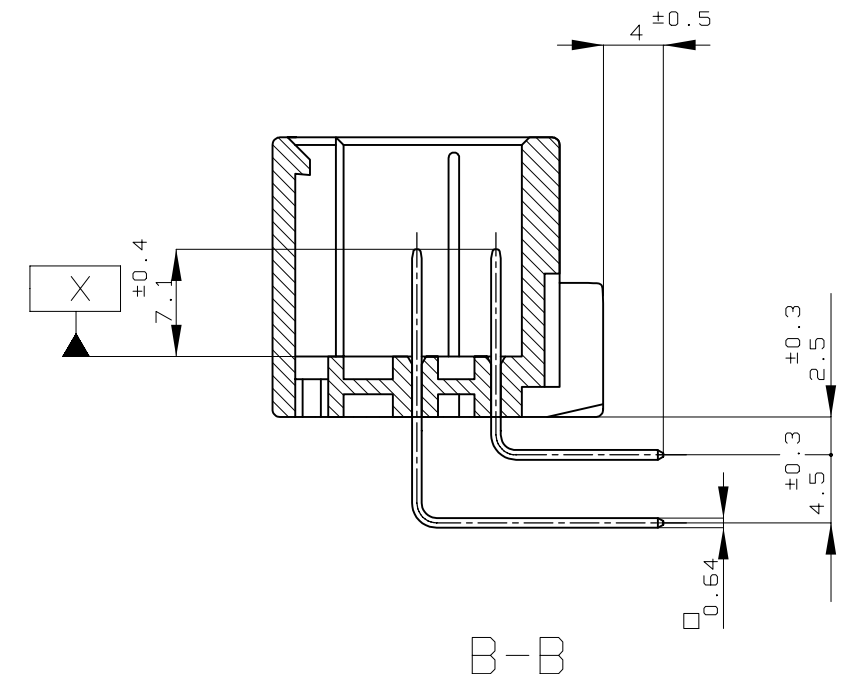
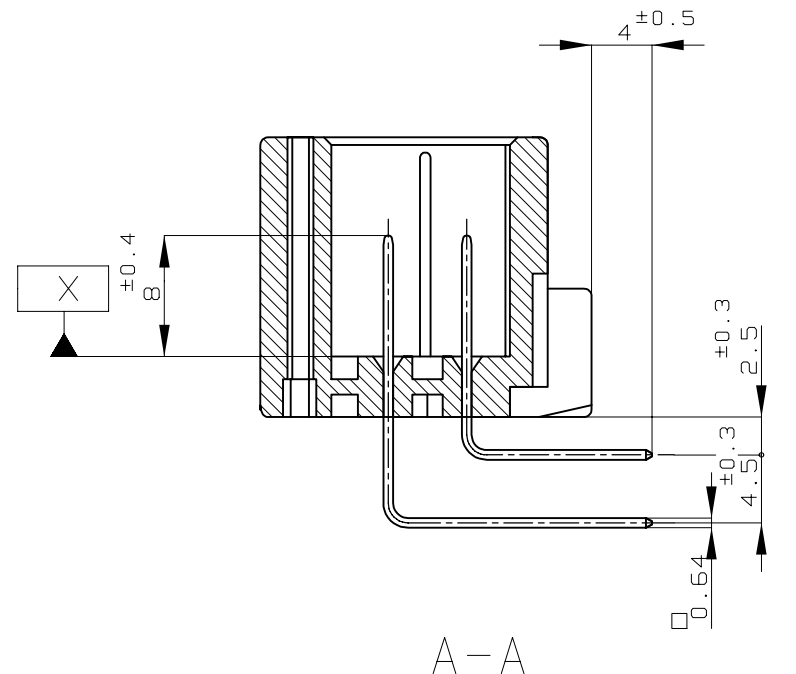


REVISIONS					
REV	DATE	DESCRIPTION	BY	CHK	APPV
P11	13MAY2026	REVISD ECR-26-279278	HH	TY	



- △ X 面から2mmの範囲で測定
- 2 嵌合相手ハウジング型: 174516, 174515, 174514, 174913, 917992, 917989, 917981, 917975
- 3 推奨取付ねじ: JIS B1115, B1122 タッピングねじ, なべ2種 呼び径3, 長さ6mm以下 (締付けトルク: 0.4N-cm以下)
- 4 適用製品規格番号: 108-5280, 108-5342
- △ 回路番号: 右図参照のこと
- パワ回路 ① ~ ⑩
- シグナル回路 ⑪ ~ ⑮
- △ 適用製品規格のプリフィックス及びIDマークをカマネットマークにて表示

- △ MUST BE KEPT BETWEEN X AND Z
- 2 THE MATING PLUG HSG.PART NUMBER: 174516, 174515, 174514, 174913, 917992, 917989, 917981, 917975
- 3 RECOMMENDED MOUNTING SCREW: 3mm DIA, 6mm LENGTH (MAX.)
- PAN HEAD, CLASS 2 TAPPING SCREW SPECIFIED IN JIS B1115, B1122
- (TIGHTENING TORQUE: 0.4N-cm MAX.)
- 4 APPLICABLE PRODUCT SPEC NO. 108-5280, 108-5342
- △ CIRCUIT NUMBER
- POWER CIRCUIT NO. ① ~ ⑩
- SIGNAL CIRCUIT NO. ⑪ ~ ⑮
- △ INDICATED PREFIX AND ID MARK OF PRODUCT P/N BY HOT MARK



REV	DESCRIPTION	PLC	SIZE	COLOR	PART NUMBER
OBsolete	SELECTIE-TIN (MATTE) PRE-TIN x 62	SELECTIVE GOLD x 14	24, 31, 39, 40, 42~50, 55	GRAY	6-5178780-6
OBsolete	SELECTIE-TIN (MATTE) PRE-TIN x 48	SELECTIVE GOLD x 28	25~32, 35~40, 43~52, 55~58	BLACK	5-5178780-2
OBsolete	SELECTIE-TIN (MATTE) PRE-TIN x 48	SELECTIVE GOLD x 28	25~32, 35~40, 43~52, 55~58	NATURAL	5-5178780-1
OBsolete	SELECTIE-TIN (MATTE) PRE-TIN x 48	SELECTIVE GOLD x 28	23, 24, 31~51	YELLOW	4-5178780-7
OBsolete	SELECTIE-TIN (MATTE) PRE-TIN x 68	SELECTIVE GOLD x 8	49, 50, 52, 53, 64, 70, 71, 74	GRAY	4-5178780-6
OBsolete	SELECTIE-TIN (MATTE) PRE-TIN x 64	SELECTIVE GOLD x 12	26~32, 40, 49~52	YELLOW	3-5178780-7
OBsolete	SELECTIE-TIN (MATTE) PRE-TIN x 16	SELECTIVE GOLD x 60	17~76	GRAY	3-5178780-6
OBsolete	SELECTIE-TIN (MATTE) PRE-TIN x 52	SELECTIVE GOLD x 24	23, 24, 31, 33~49, 55, 63, 64	YELLOW	2-5178780-7
OBsolete	SELECTIE-TIN (MATTE) PRE-TIN x 57	SELECTIVE GOLD x 19	22, 24, 31, 34, 39~40, 42~48, 49, 50, 55, 56, 63, 64	GRAY	2-5178780-6
OBsolete	TIN-LEAD PRE-TIN x 69	SELECTIVE GOLD x 7	49, 50, 52, 53, 68, 70, 74	GRAY	8-178780-6
OBsolete	TIN-LEAD PRE-TIN x 66	SELECTIVE GOLD x 10	24, 31, 39, 44~47, 49, 55, 64	GRAY	7-178780-6
OBsolete	TIN-LEAD PRE-TIN x 62	SELECTIVE GOLD x 14	24, 31, 39, 40, 42~50, 55	GRAY	6-178780-6
OBsolete	TIN-LEAD PRE-TIN x 48	SELECTIVE GOLD x 28	25~32, 35~40, 43~52, 55~58	YELLOW	5-178780-7
OBsolete	TIN-LEAD PRE-TIN x 48	SELECTIVE GOLD x 28	25~32, 35~40, 43~52, 55~58	BLACK	5-178780-2
OBsolete	TIN-LEAD PRE-TIN x 48	SELECTIVE GOLD x 28	25~32, 35~40, 43~52, 55~58	NATURAL	5-178780-1
OBsolete	TIN-LEAD PRE-TIN x 48	SELECTIVE GOLD x 28	23, 24, 31~51, 55~57, 63, 64	YELLOW	4-178780-7
OBsolete	TIN-LEAD PRE-TIN x 68	SELECTIVE GOLD x 8	49, 50, 52, 53, 68, 70, 71, 74	GRAY	4-178780-6
OBsolete	TIN-LEAD PRE-TIN x 16	SELECTIVE GOLD x 60	17~76	GRAY	3-178780-6
OBsolete	TIN-LEAD PRE-TIN x 52	SELECTIVE GOLD x 24	23, 24, 31, 33~49, 55, 63, 64	YELLOW	2-178780-7
OBsolete	TIN-LEAD PRE-TIN x 76	SELECTIVE GOLD x 8	-	LIGHT GRAY	178780-9
OBsolete	SELECTIE-TIN (MATTE) PRE-TIN x 76	SELECTIVE-TIN (BRIGHT) x 76	-	NATURAL	178780-3
OBsolete	SELECTIE-TIN (MATTE) PRE-TIN x 76	SELECTIVE-TIN (BRIGHT) x 76	-	NATURAL	178780-1

GENERAL TOLERANCE	0 < < 10 : ±0.2 10 < < 30 : ±0.25 30 < < 100 : ±0.3 ANGLES : ±3°
-------------------	---

THIS DRAWING IS A CONTROLLED DOCUMENT.

DIMENSIONS: mm

TOLERANCES UNLESS OTHERWISE SPECIFIED

0 PLC ±
1 PLC ±
2 PLC ±
3 PLC ±
4 PLC ±

MATERIAL: HOUSING: PBT CONTACT: BRASS

FINISH: 仕上

SEE TABLE

DIN: M. KADOSAKI 12OCT05
CHK: T. SHINOHARA 12OCT05
APVD: K. BETSUJI 12OCT05

NAME: 製品規格

PRODUCT SPEC: 製品規格

APPLICATION SPEC: 取付適用規格

76POS CAP HOUSING ASSY
.040/.070 SERIES HYBRID I/O CONN. (NON FLANGE)

SIZE: A1 CAGE CODE: 00779 DRAWING NO: 178780

WEIGHT: 23.8 g

CUSTOMER DRAWING

SCALE: 2:1 SHEET: 1 of 1 REV: P11