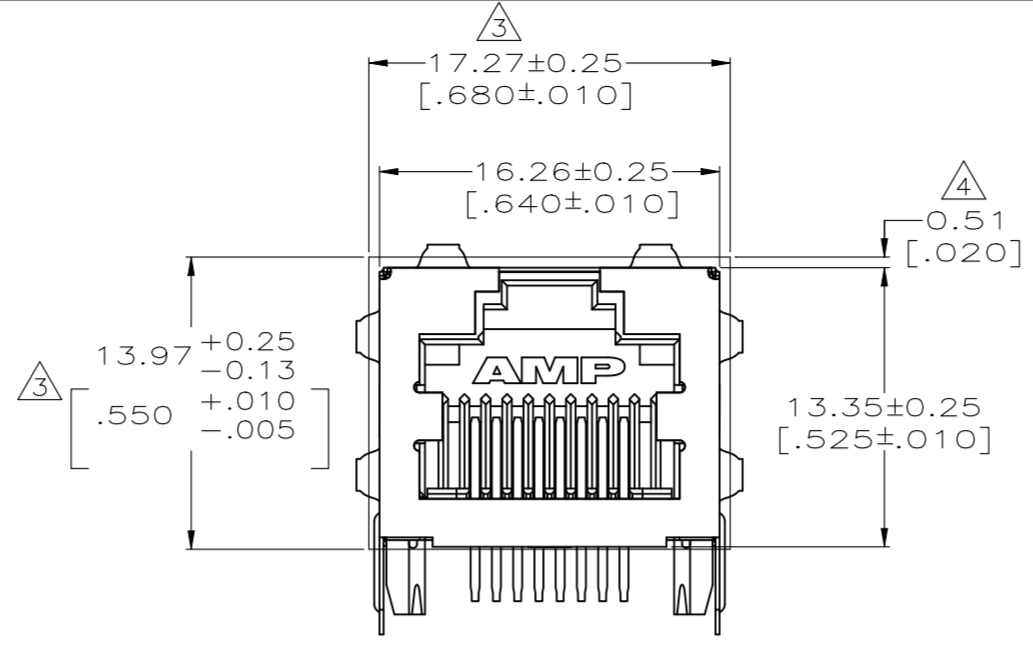
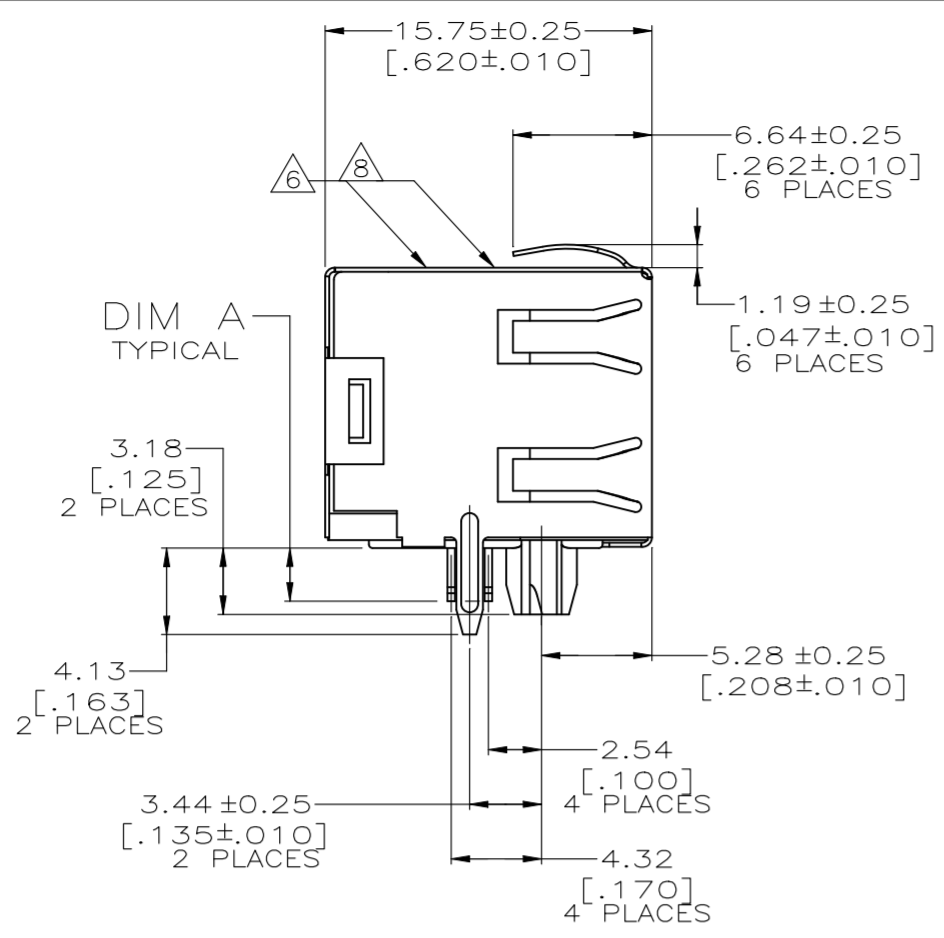


REVISIONS				
P	LTR	DESCRIPTION	DATE	OWN / APVD
V4		REVISED AS PER ECR-26-267929	22JAN2026	KSD RK

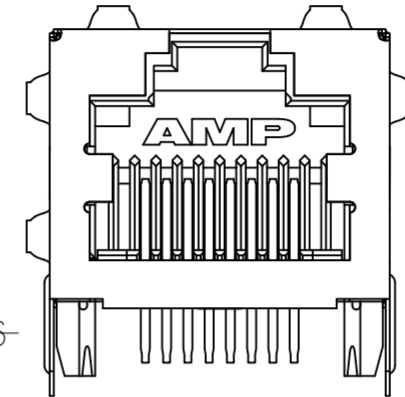


- △ OBSOLETE PARTS: OBSOLETE CIS STREAMLINING PER D.RENAUD/D.SINISI
- △ ADD PN ON TOP SURFACE FOR REQUIRED PARTS
- △ REFLOW SOLDERING PROCESS COMPATIBLE

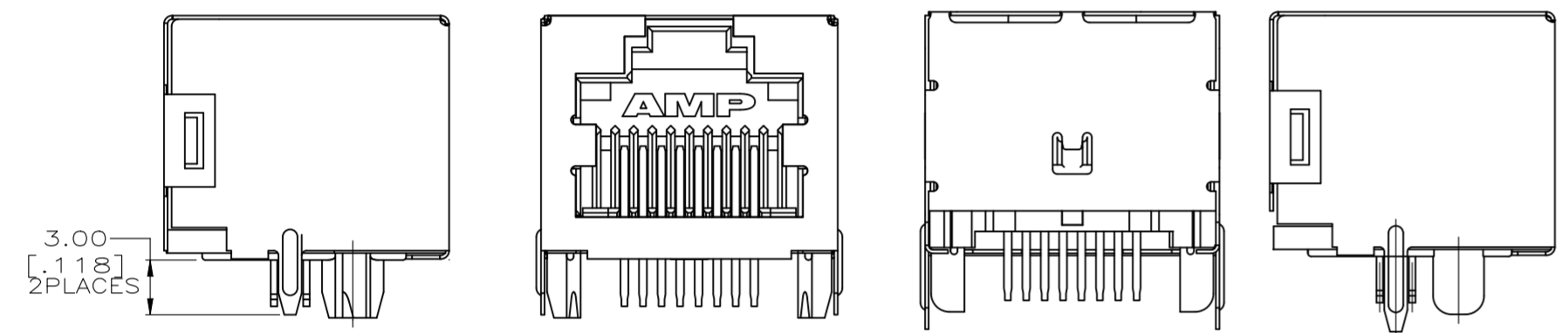
MATERIAL:
 HOUSING - HIGH TEMPERATURE THERMOPLASTIC, COLOR: BLACK, UL94V-0
 TERMINALS - 0.36[.014] THICK PHOS BRONZE PLATED WITH 3.81µm[.000150] MINIMUM THICK (SEE P/N TABLE) IN SOLDER AREA. 1.27µm[.000050] MINIMUM GOLD IN LOCALIZED PLATE AREA. ENTIRE TERMINAL PLATED WITH 1.27µm[.000050] MINIMUM THICK NICKEL.
 SHIELD - 0.196[.0077] THICK COPPER ZINC ALLOY PREPLATED WITH 1.27µm[.000050] MINIMUM SATIN NICKEL WITH 2.03µm[.000080] MINIMUM TIN POST DIPPED ON PCB GROUND TABS.

2. JACK CAVITY CONFORMS TO FCC RULES AND REGULATIONS PART 68, SUBPART F.
- △ SUGGESTED PANEL OPENING DIMENSIONS.
- △ SUGGESTED CLEARANCE BETWEEN TOP OF CONNECTOR AND TOP PANEL OPENING.
- △ ON 406541-4 & 1-406541-4 LOWER RIGHT HAND PANEL GROUND TAB IS NOT PRESENT.
- △ MANUFACTURING DATE CODE: LOCATED APPROX. AS SHOWN. FIRST 2 DIGITS = LAST 2 DIGITS OF YEAR. NEXT 2 DIGITS = MANUFACTURING WORK WEEK, LAST DIGIT = DAY OF WEEK WITH SUNDAY = 1.

406541-1, -3, -6 & -7
 1-406541-1, 1-3, 1-6 & 1-9 & 2-6
 406541-8

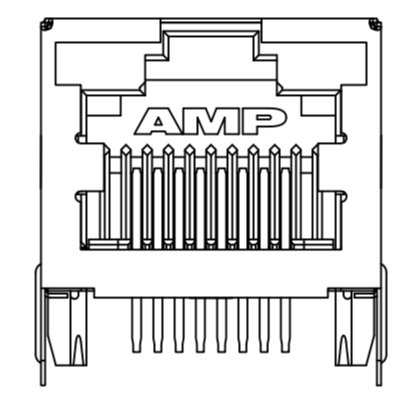


WITHOUT LOWER RIGHT PANEL GROUND

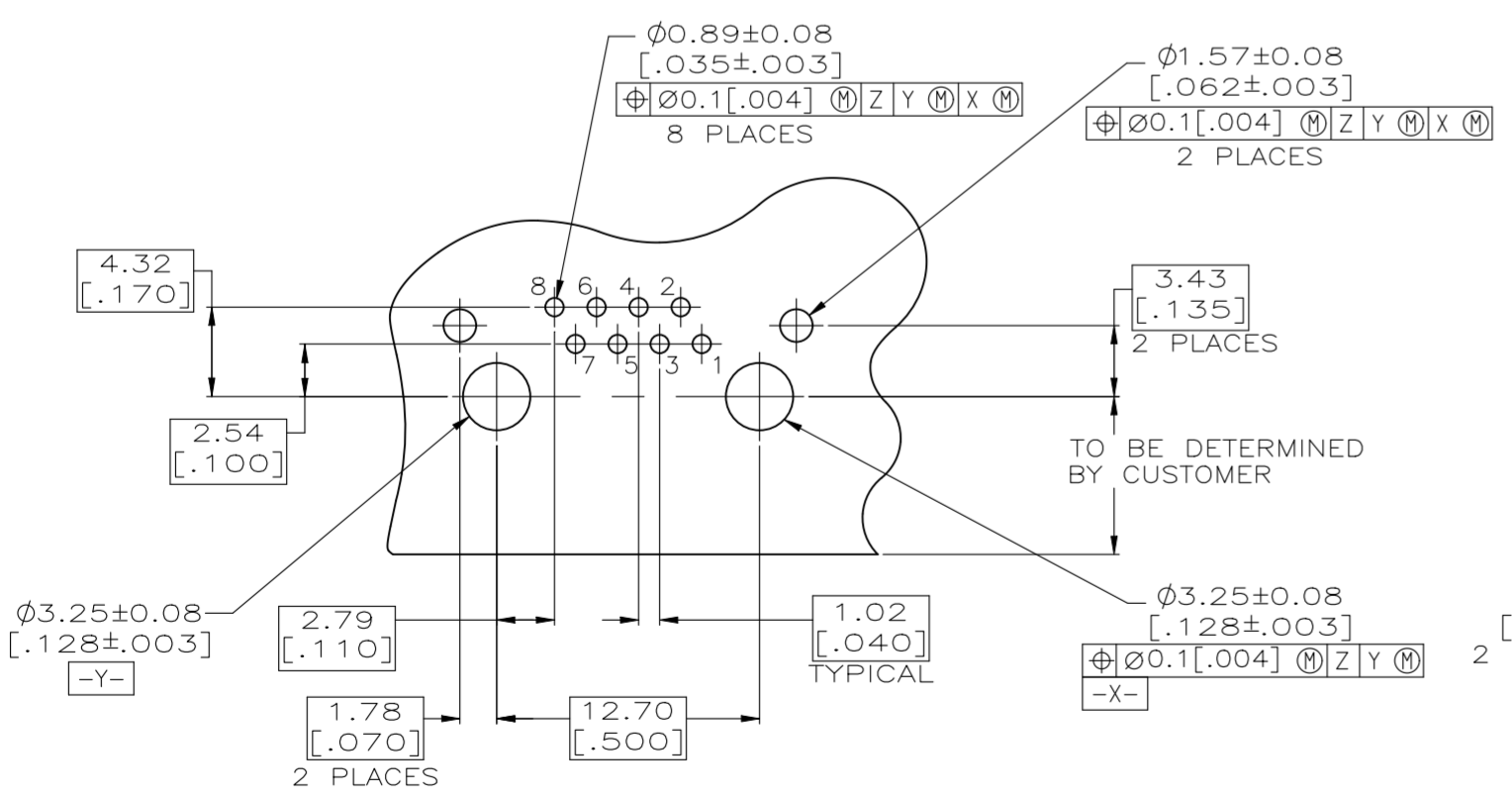
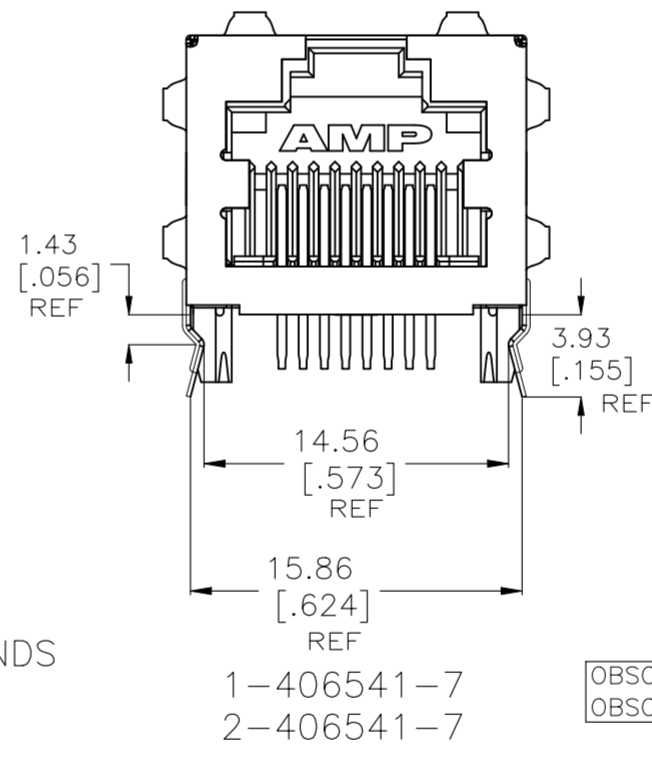


4-406541-5
 3.00MM LENGTH GROUND PIN

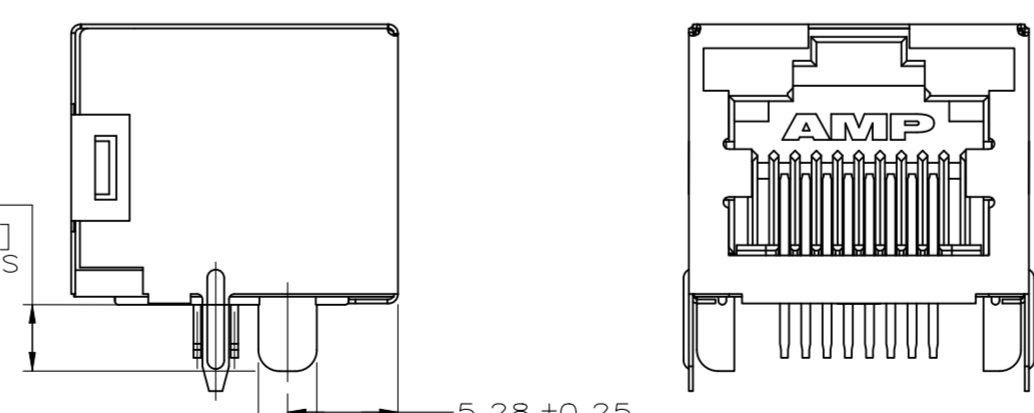
3-406541-0
 NARROW POST TYPE



WITHOUT PANEL GROUNDS



SUGGESTED PRINTED CIRCUIT BOARD LAYOUT
 (COMPONENT SIDE)

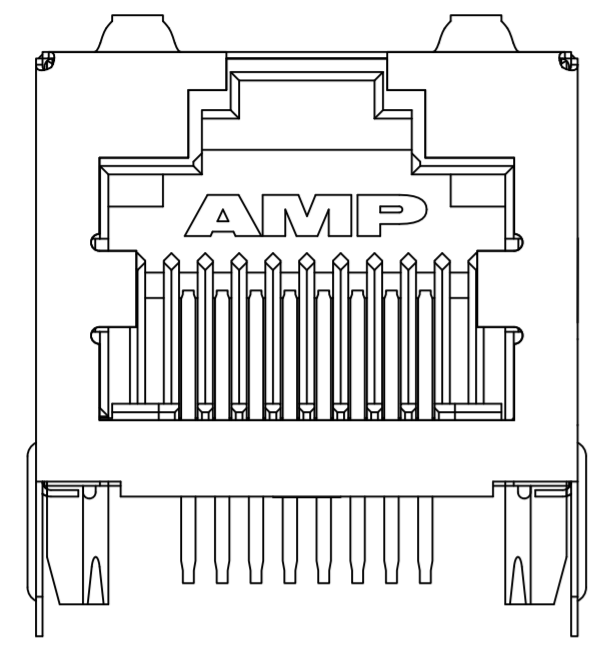


2-406541-0, 2-2, 3-1, 1-0
 NARROW POST TYPE

FINISH	TAPE/REEL	QTY	DIM A	PART NUMBER	
MATTE TIN	TAPE/REEL	0	2.54 [.100]	1-406541-0	
	TAPE/REEL	6	2.54 [.100]	406541-8	
	TRAY	0	2.54 [.100]	5-406541-0	
	TAPE/REEL	0	2.54 [.100]	4-406541-9	
	TRAY	0	2.54 [.100]	4-406541-5	
	TAPE/REEL	0	2.54 [.100]	3-406541-1	
	TAPE/REEL	0	2.54 [.100]	4-406541-8	
	TAPE/REEL	0	2.54 [.100]	3-406541-0	
	TRAY	6	2.54 [.100]	2-406541-7	
	TRAY	6	3.56 [.140]	2-406541-6	
MATTE TIN	TAPE/REEL	2	2.54 [.100]	2-406541-4	
	TRAY	6	3.05 [.120]	2-406541-3	
	TRAY	0		2-406541-2	
	TRAY	2	2.54 [.100]	2-406541-1	
	TAPE/REEL	0	2.54 [.100]	2-406541-0	
	TRAY	6	3.05 [.120]	1-406541-9	
	TAPE/REEL	0	2.54 [.100]	1-406541-8	
	TRAY	6	2.54 [.100]	1-406541-7	
	TRAY	6	3.56 [.140]	1-406541-6	
	TRAY	0	2.54 [.100]	1-406541-5	
BRIGHT TIN-LEAD	TRAY	5	2.54 [.100]	1-406541-4	
	TRAY	6	2.00 [.079]	1-406541-3	
	TRAY	6	2.54 [.100]	1-406541-1	
	TRAY	6	3.56 [.140]	406541-6	
	TRAY	0	2.54 [.100]	406541-5	
	TRAY	5	2.54 [.100]	406541-4	
	TRAY	6	2.00 [.079]	406541-3	
	TRAY	6	2.54 [.100]	406541-1	
	TERMINAL PLATING	PACKAGING	PANEL GROUNDS	DIM A	PART NUMBER

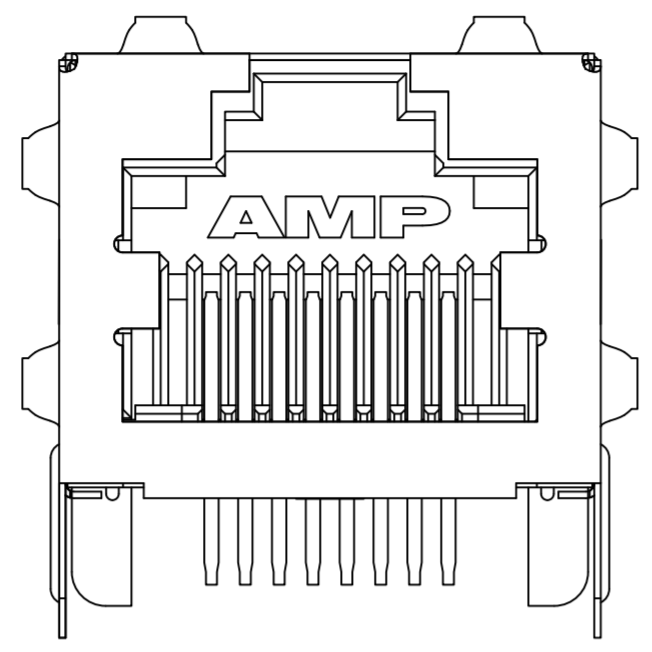
THIS DRAWING IS A CONTROLLED DOCUMENT. DWN: TS/L.A.MAYER 09JAN2008
 CHK: J.WESTMAN 09JAN2008
 APVD: S.FLICKINGER 09JAN2008
 DIMENSIONS: mm [INCHES]
 TOLERANCES UNLESS OTHERWISE SPECIFIED:
 0 PLC ± .05
 1 PLC ± .05
 2 PLC ± .05
 3 PLC ± .05
 4 PLC ± .05
 ANGLES ± .05
 MATERIAL: SEE TABLE
 FINISH: SEE TABLE
 CUSTOMER DRAWING
STE TE Connectivity Ltd.
 INVERT MODULAR JACK ASSEMBLY
 1 X 1, SHIELDED, PANEL GROUND
 108-1163
 APPLICATION SPEC: 114-2048
 WEIGHT: -
 SIZE: A1
 CAGE CODE: 00779
 DRAWING NO: 406541
 SCALE: 4:1
 SHEET: 1 OF 4
 REV: V4

REVISIONS				
P	LTR	DESCRIPTION	DATE	APPD
-	-	SEE SHEET 1	-	-



2-406541-1
2-406541-4

WITHOUT SIDE PANEL GROUND

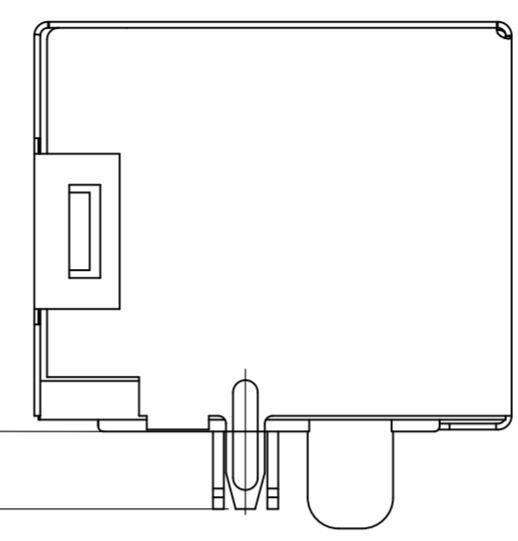


2-406541-3

NARROW POST TYPE

REFERS TO SHIELD PIN LENGTH.

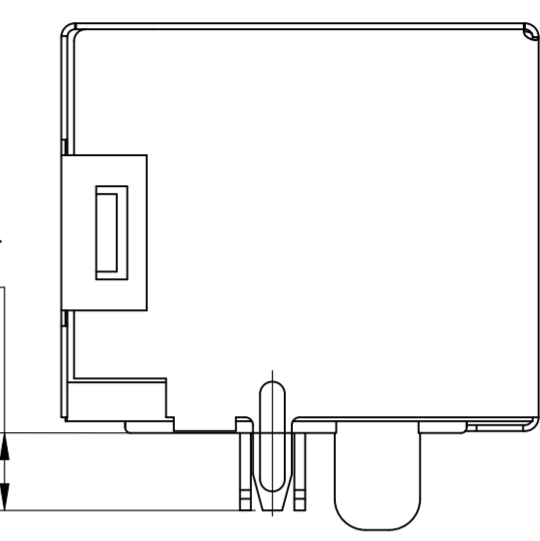
2.54
[.100]
2 PLACES



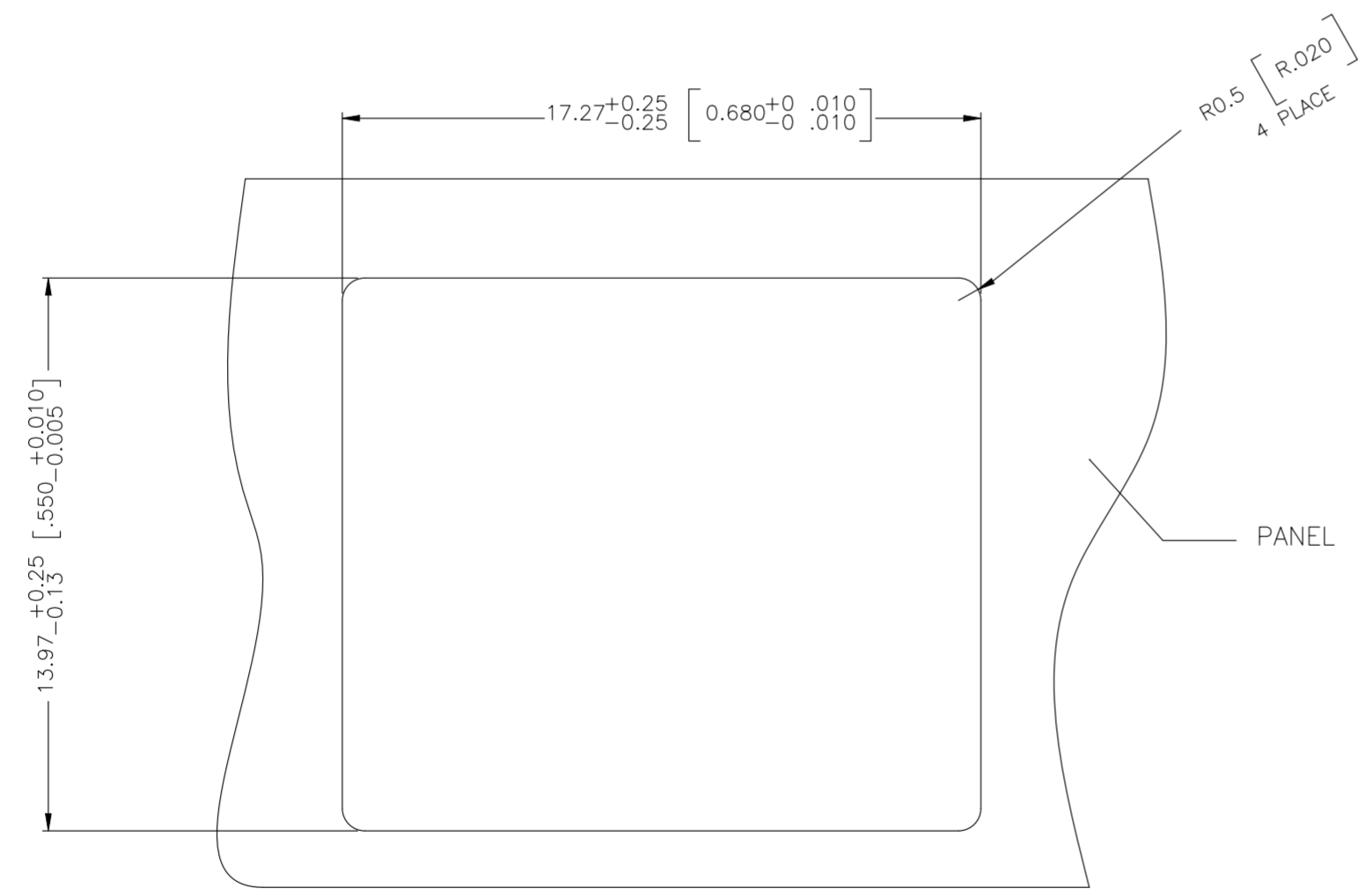
4-406541-9 ONLY
ALL UNSPECIFIED DIMENSION
SAME AS 3-406541-0

REFERS TO SHIELD PIN LENGTH.

2.54
[.100]
2 PLACES



5-406541-0 ONLY
ALL UNSPECIFIED DIMENSION
SAME AS 2-406541-2

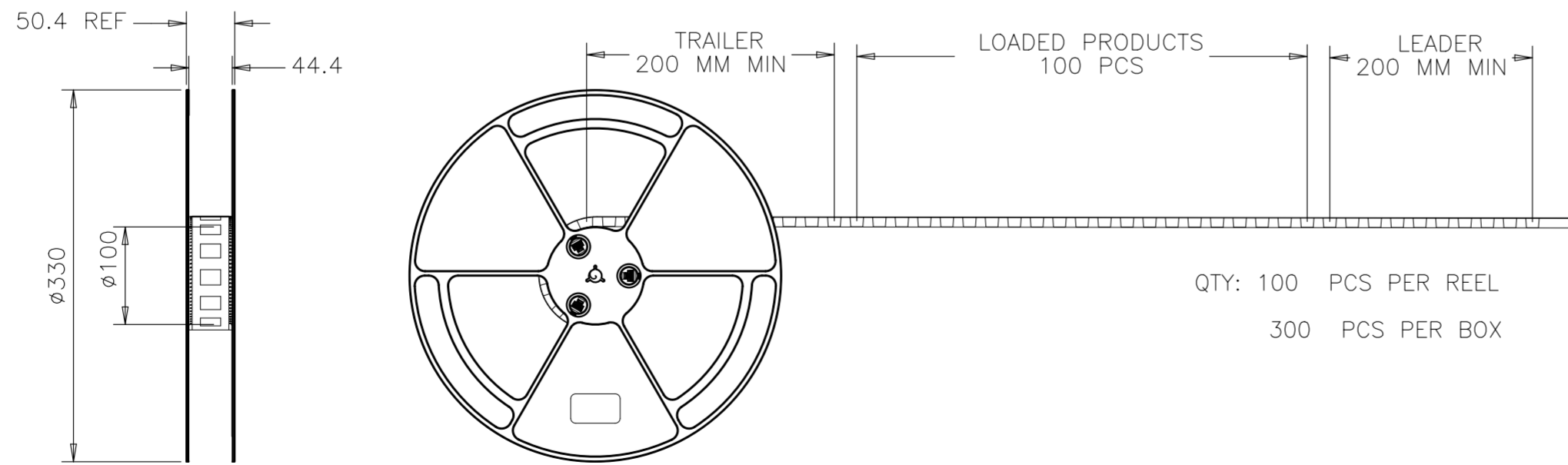
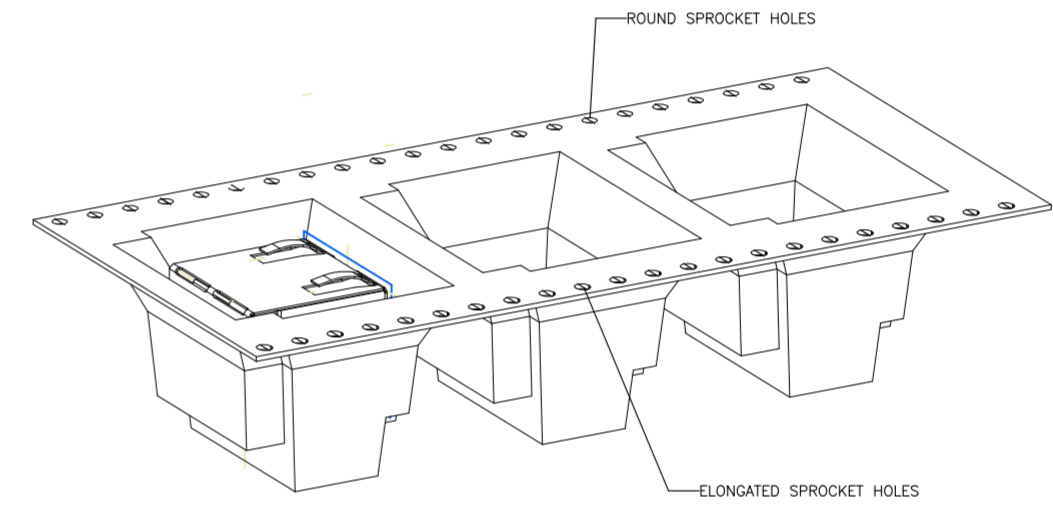
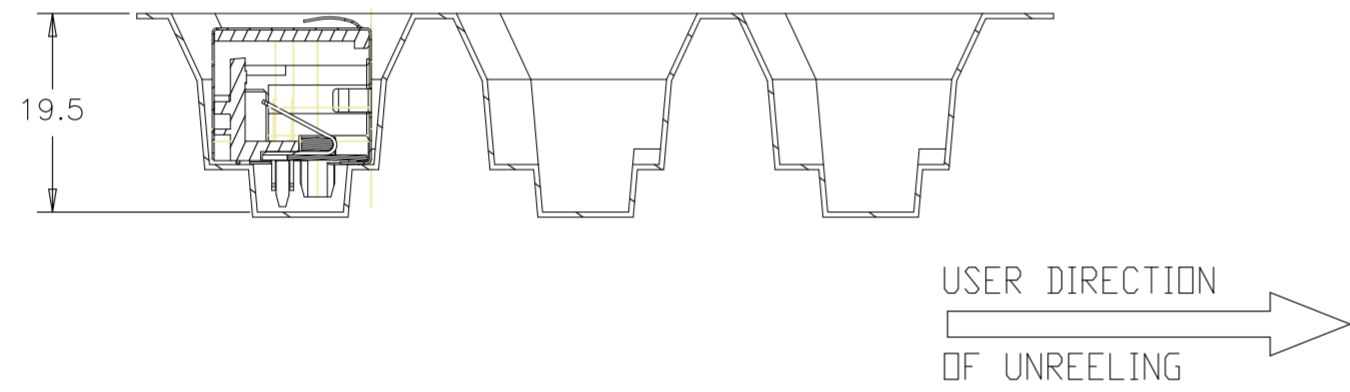
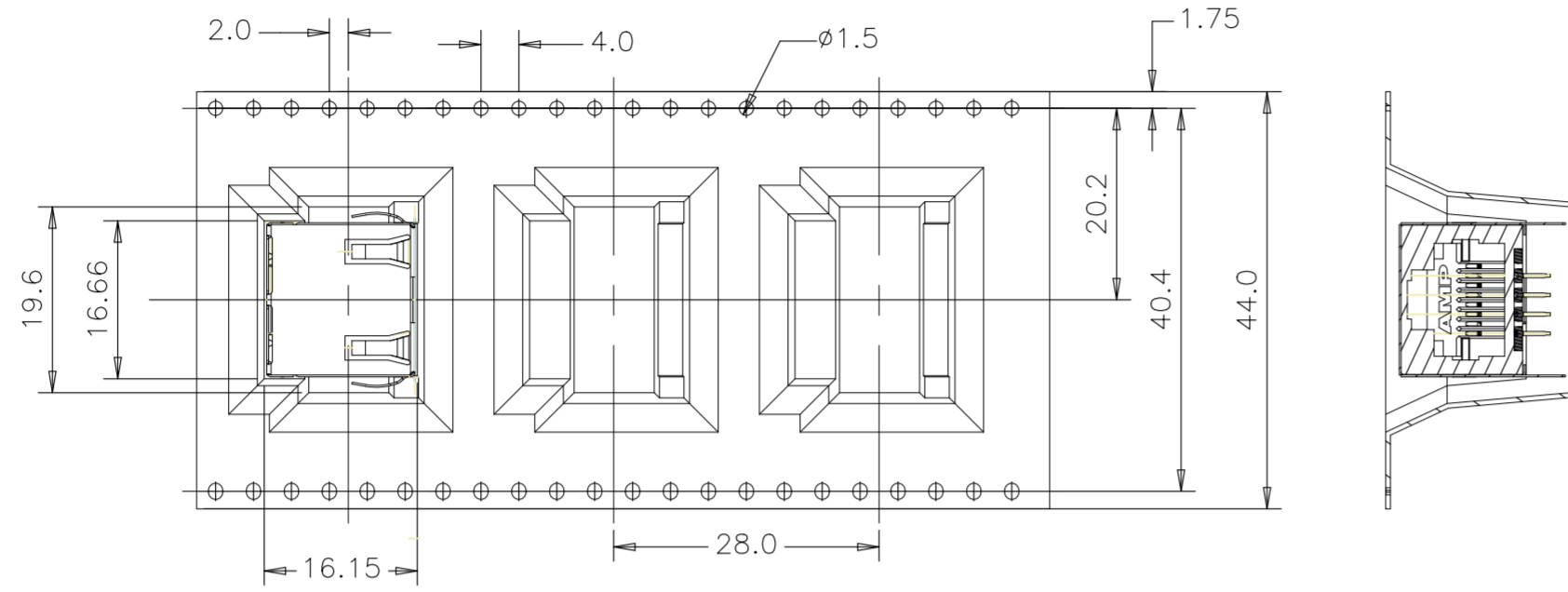


RECOMMENDED PANEL CUTOUT DIMENSIONS
ONLY FOR WITH PANEL GROUNDS PART NUMBER

THIS DRAWING IS A CONTROLLED DOCUMENT.		OWN TS/L.A.MAYER 09JAN2008	TE Connectivity Ltd.
DIMENSIONS: mm [INCHES]		CHK J.WESTMAN 09JAN2008	
TOLERANCES UNLESS OTHERWISE SPECIFIED:		APVD S.FLICKINGER 09JAN2008	NAME INVERT MODULAR JACK ASSEMBLY 1 X 1, SHIELDED, PANEL GROUND
0 PLC ± -	1 PLC ± -	PRODUCT SPEC 108-1163	SIZE A1
2 PLC ± 0.25[.010]	3 PLC ± -	APPLICATION SPEC 114-2048	CAGE CODE 00779
4 PLC ± -	ANGLES ± -	WEIGHT -	DRAWING NO 406541
MATERIAL SEE TABLE	FINISH SEE TABLE	CUSTOMER DRAWING	RESTRICTED TO -
SCALE 4:1 SHEET 2 OF 4 REV V4			

REVISIONS				
P	L/R	DESCRIPTION	DATE	OWN
-	-	SEE SHEET 1	-	-

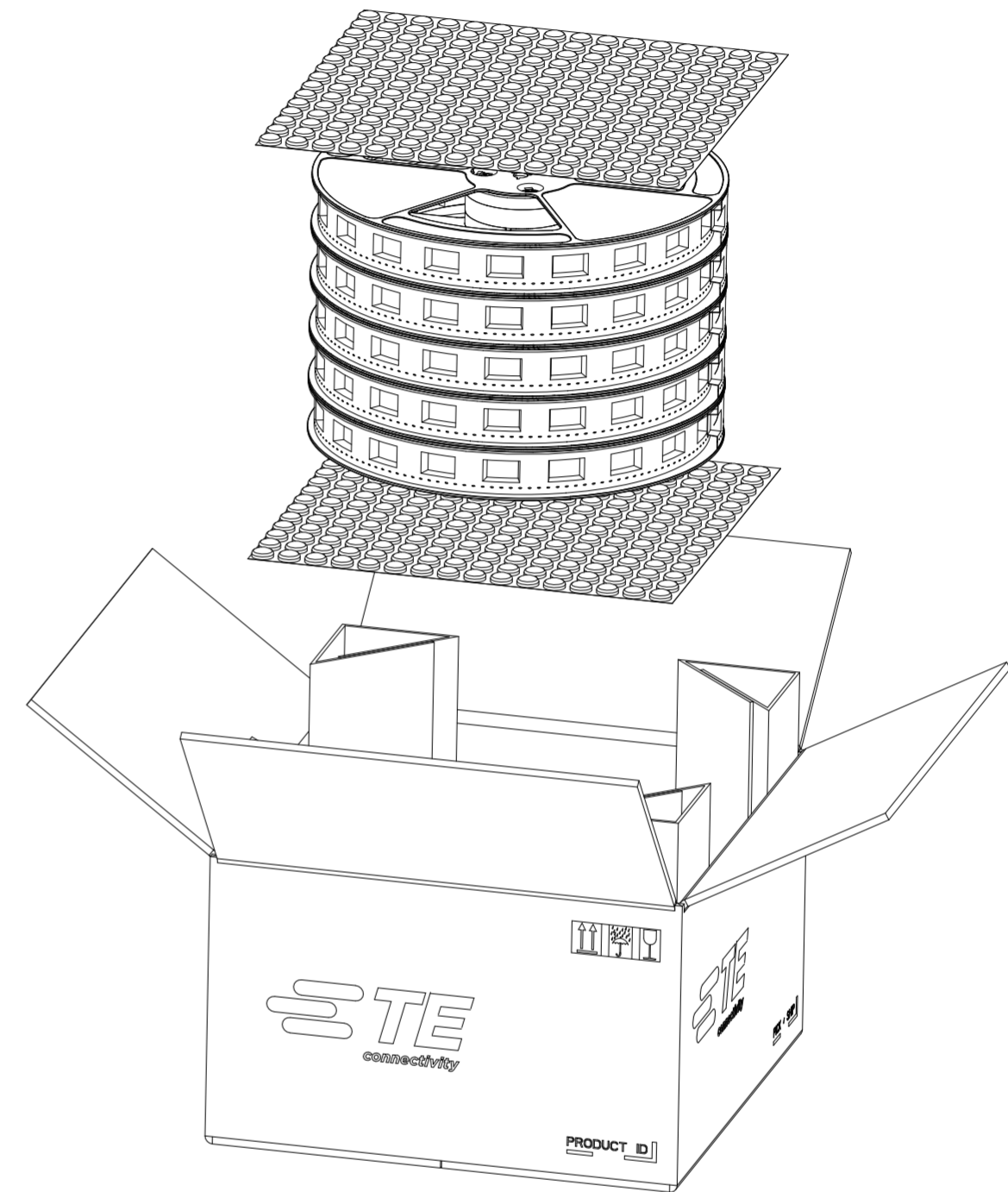
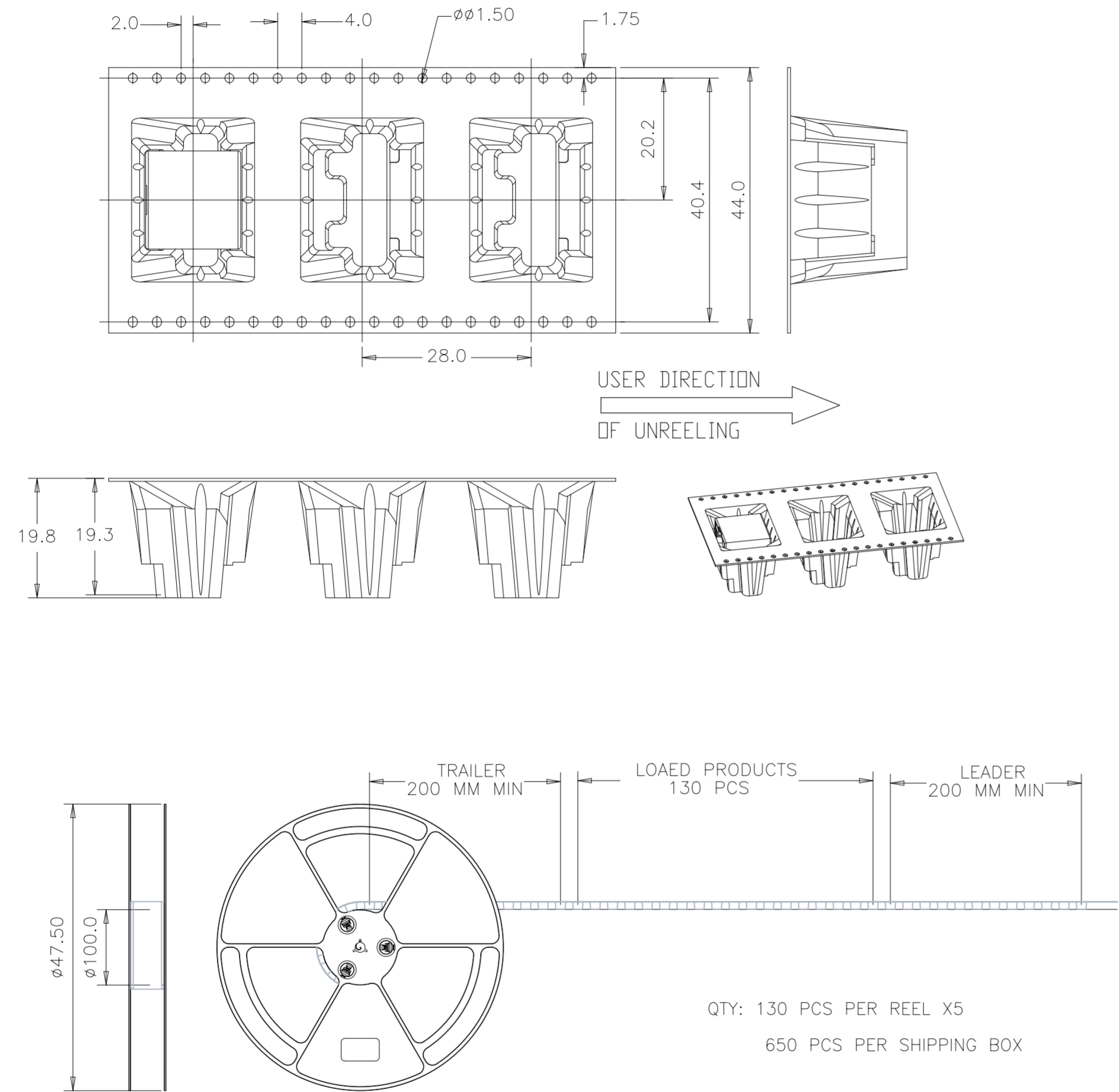
TAPE AND REEL PACKAGING METHOD



THIS DRAWING IS A CONTROLLED DOCUMENT.		OWN: TS/L.A.MAYER CHK: J.WESTMAN APVD: S.FLICKINGER	09JAN2008 09JAN2008 09JAN2008	TE Connectivity Ltd.
DIMENSIONS: mm [INCHES]	TOLERANCES UNLESS OTHERWISE SPECIFIED:	PRODUCT SPEC: 108-1163	APPLICATION SPEC: 114-2048	
MATERIAL: SEE TABLE	FINISH: SEE TABLE	WEIGHT: -	SIZE: A1	CAGE CODE: 00779
CUSTOMER DRAWING			SCALE: 4:1	DRAWING NO: 406541
				RESTRICTED TO: -
				SHEET 3 OF 4
				REV V4

REVISIONS				
P	L/R	DESCRIPTION	DATE	APP'D
-	-	SEE SHEET 1	-	-

TAPE & REEL PACKAGE FOR 1-406541-0



QTY: 130 PCS PER REEL X5
650 PCS PER SHIPPING BOX

THIS DRAWING IS A CONTROLLED DOCUMENT.		DWN: TS/L.A.MAYER 09JAN2008 CHK: J.WESTMAN 09JAN2008 APVD: S.FLICKINGER 09JAN2008	TE Connectivity Ltd.
DIMENSIONS: mm [INCHES]	TOLERANCES UNLESS OTHERWISE SPECIFIED: 0 PLC ± - 1 PLC ± - 2 PLC ± 0.25[010] 3 PLC ± - 4 PLC ± - ANGLES ± - FINISH SEE TABLE	NAME: INVERT MODULAR JACK ASSEMBLY 1 X 1, SHIELDED, PANEL GROUND PRODUCT SPEC: 108-1163 APPLICATION SPEC: 114-2048 WEIGHT: - CUSTOMER DRAWING	SIZE: A1 CAGE CODE: 00779 DRAWING NO: 406541 SCALE: 4:1 SHEET: 4 OF 4 REV: V4