

1

2

3

4

5

6

7

A

SPECIFICATION
MATERIAL
Features

Order Code

AGP - XX - G - X
1 2

A

B

⑦ This shell hood is supplied for top cable entry.

Following versions are available:

metallized,black and grey

The strain relief with two screws is attached separately.

1 No. of contacts
09, 15, 25, 37, 50

2 Version
ME -Metallized
NEW/GR -Plastic,Grey

B

C

C

D

Suitable knurled screws

AGP-RS/NEW
1 Set=2 pieces

D

E

⑤ **Material**
Insulator: ABS UL94HB
Screw: Steel
Finish: Chromate plated

Delivery includes


2 half-sheels
2 fixing screws
4 screws
2 strain relief bow
2 nuts

E

F

F

RoHS compliant
Unit: mm

Scale	Free	⑨	Update	03.12.2025	Raed		Date	Name	Customer-No.		
TOLERANCE		⑧	Update dimension for 9&25 pins	26.11.2021	Daniel	Drawn	12.01.2005	Ken	AGP xx G-x		
X.X	±X	⑦	Update spec description	06.05.2019	Xavier	Approved	03.12.2025	Raed			
X.XX	±X	⑥	Update the drawing	29.07.2015	Amy						
X.XXX	±X	⑤	Corrected material	14.12.10	Dean						
DIM	TOL	④	Drawing revised	06.07.07	N.Schulz				Drawing-No.	ASS 0557 CO	rev09
X.X°	±X°	Id.	Modification	Date	Name				Replace	Sheet	1 / 6
Angle	TOL										

G

G

H

H

1

2

3

4

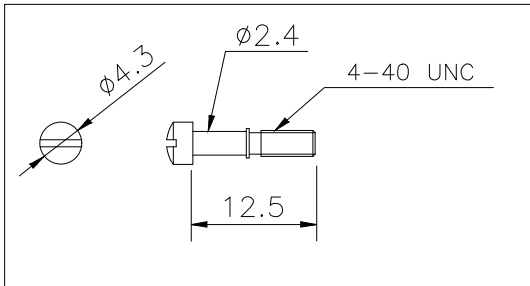
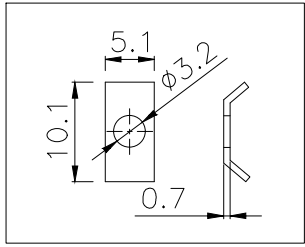
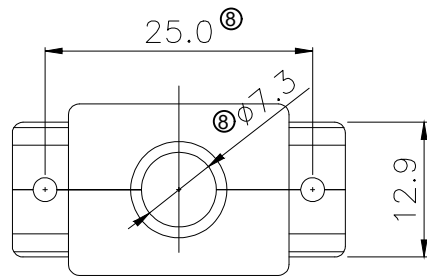
5

6

7

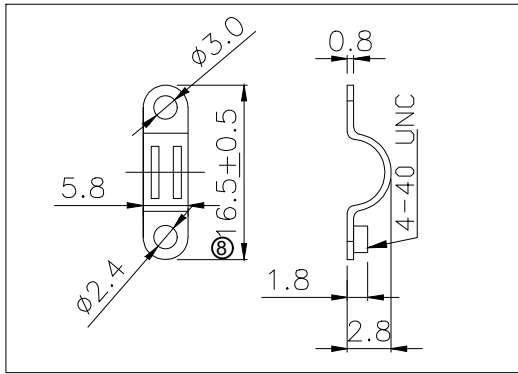
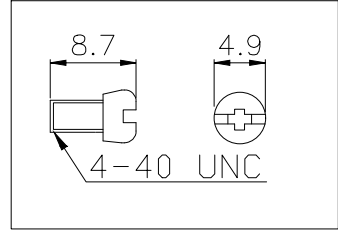
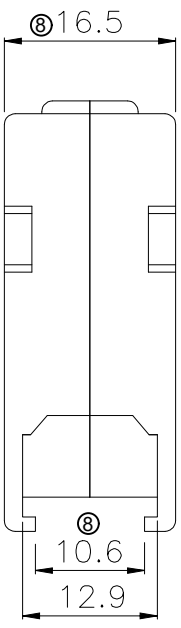
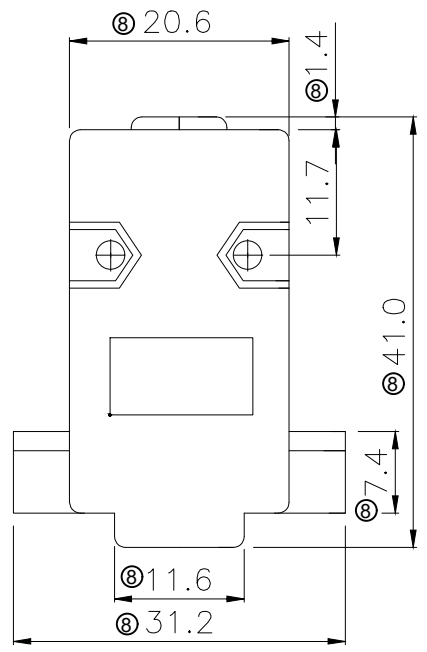
1 2 3 4 5 6 7

A



B

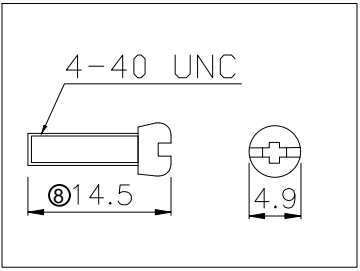
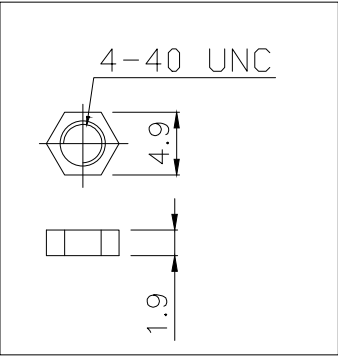
C



D

E

F



RoHS compliant
Unit: mm

Scale	Free	⑨	Update	03.12.2025	Raed	Date	Name	Customer-No.
TOLERANCE		⑧	Update dimension for 9&25 pins	26.11.2021	Daniel	Drawn	Ken	ASSMANN WSW-No. AGP 09 G-x
X.X	±0.30	⑦	Update spec description	06.05.2019	Xavier	Approved	Raed	
X.XX	±0.20	⑥	Update the drawing	29.07.2015	Amy			
DIM	TOL	⑤	Corrected material	14.12.10	Dean			
Angle	±5°	④	Drawing revised	06.07.07	N.Schulz			Drawing-No. ASS 0557 CO
Angle	TOL	Id.	Modification	Date	Name			Replace

A

B

C

D

E

F

G

H

1 2 3 4 5 6 7

1

2

3

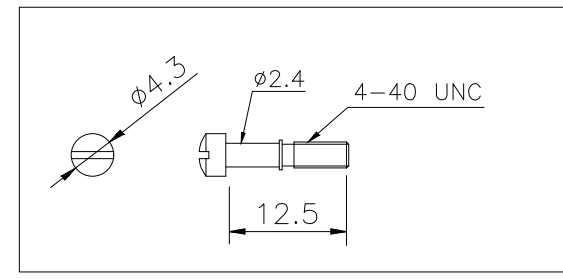
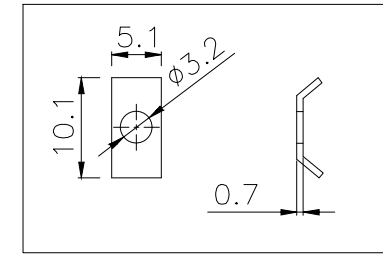
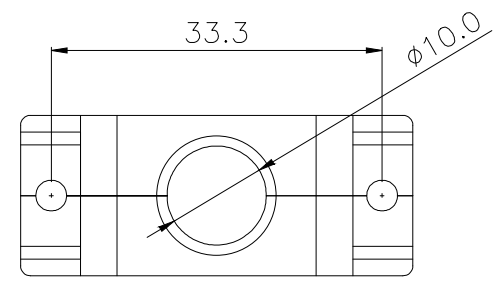
4

5

6

7

A

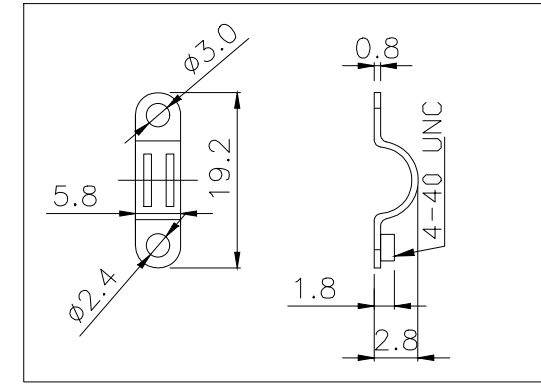
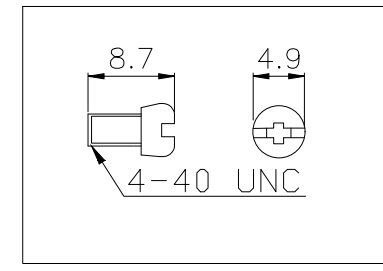
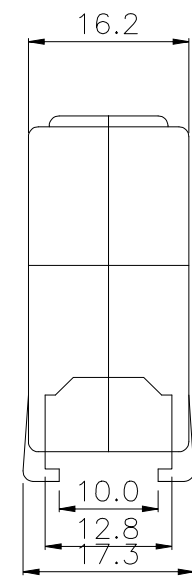
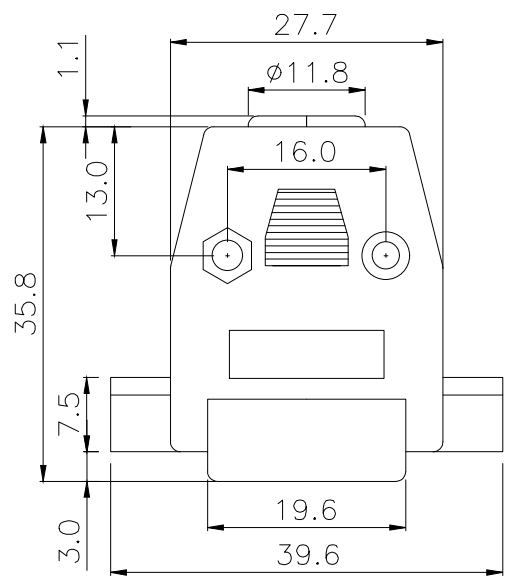


A

B

B

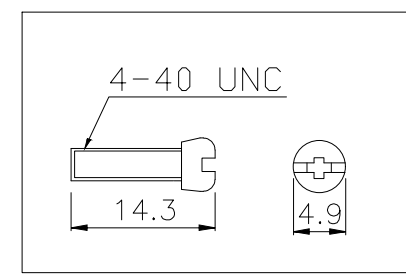
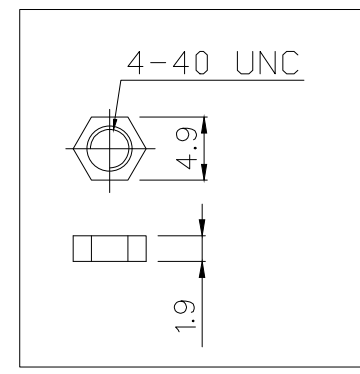
C



C

D

D



E

E

F

F

RoHS compliant
Unit: mm

Scale	Free	⑨	Update	03.12.2025	Raed		Date	Name	Customer-No.
TOLERANCE		⑧	Update dimension for 9&25 pins	26.11.2021	Daniel	Drawn	12.01.2005	Ken	ASSMANN WSW-No. AGP 15 G-x
X.X	±0.30	⑦	Update spec description	06.05.2019	Xavier	Approved	03.12.2025	Raed	
X.XX	±0.20	⑥	Update the drawing	29.07.2015	Amy				
DIM	TOL	⑤	Corrected material	14.12.10	Dean				
Angle	±5°	④	Drawing revised	06.07.07	N.Schulz				Drawing-No. ASS 0557 CO
Angle	TOL	Id.	Modification	Date	Name				Replace
									Sheet 3 / 6

G

G

H

H

1

2

3

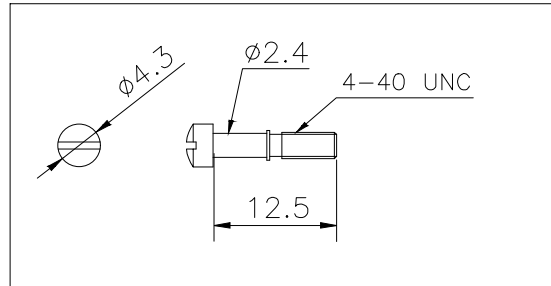
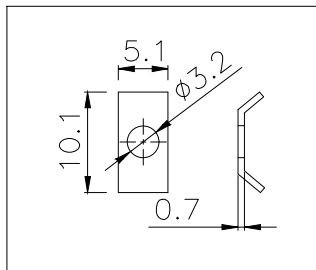
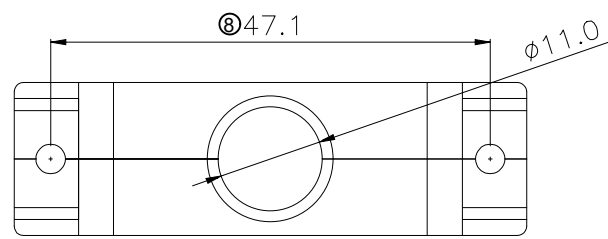
4

5

6

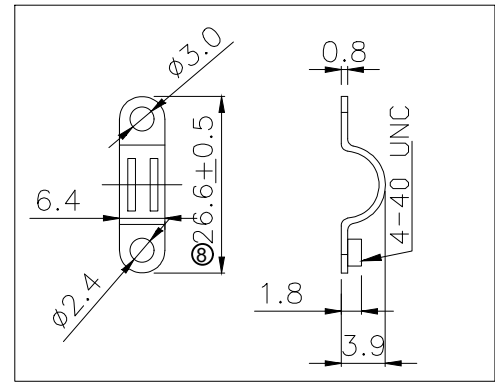
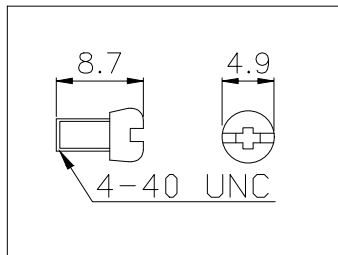
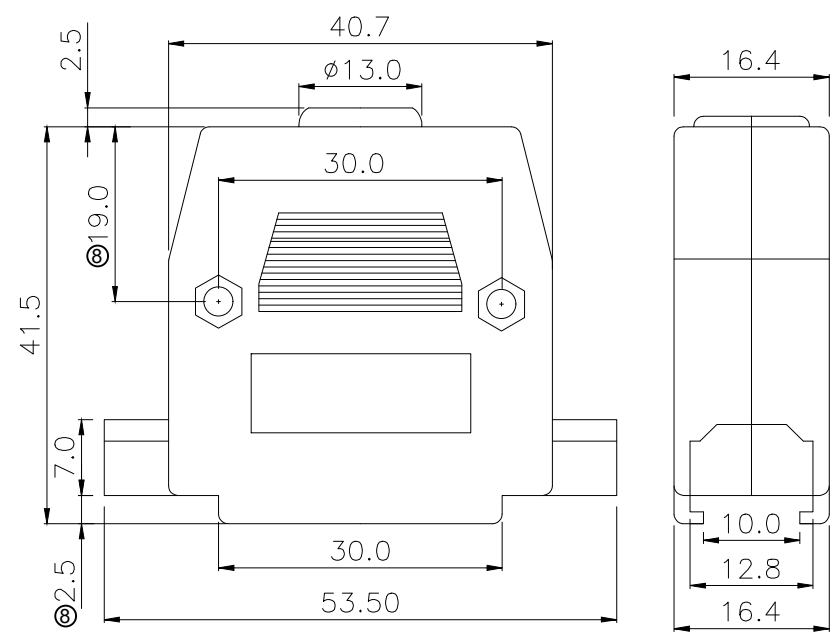
7

A



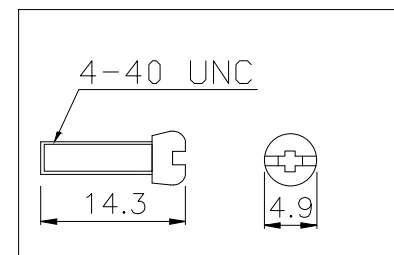
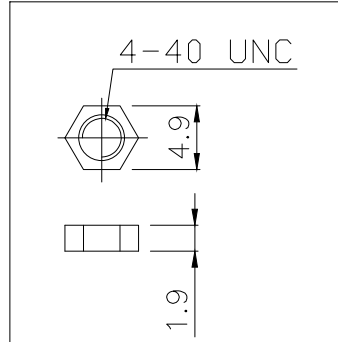
B

C



D

E



F

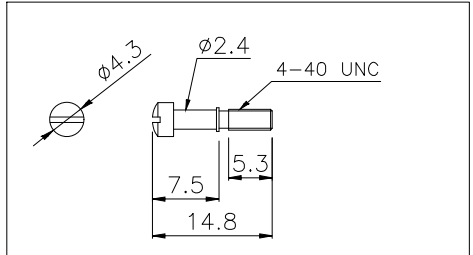
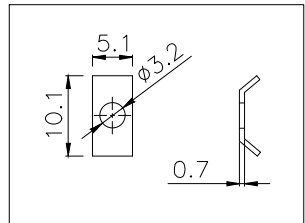
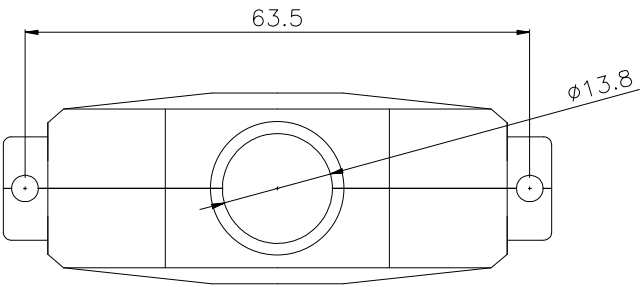
RoHS compliant
Unit: mm

Scale	Free	③	Update	03.12.2025	Raed		Date	Name	Customer-No.
TOLERANCE		⑧	Update dimension for 9&25 pins	26.11.2021	Daniel	Drawn	12.01.2005	Ken	ASSMANN WSW-No. AGP 25 G-x
X.X	±0.30	⑦	Update spec description	06.05.2019	Xavier	Approved	03.12.2025	Raed	
X.XX	±0.20	⑥	Update the drawing	29.07.2015	Amy				
DIM	TOL	⑤	Corrected material	14.12.10	Dean				
Angle	±5°	④	Drawing revised	06.07.07	N.Schulz				Drawing-No. ASS 0557 CO
Angle	TOL	Id.	Modification	Date	Name				rev09
									Replace

H

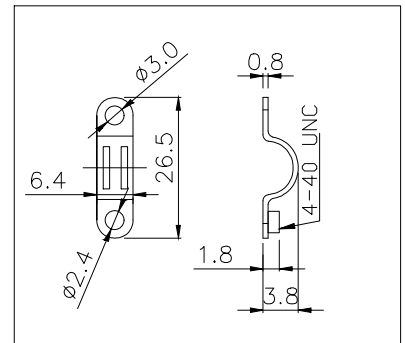
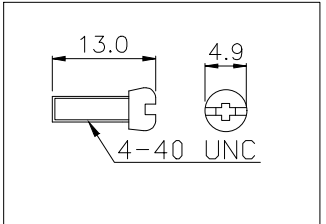
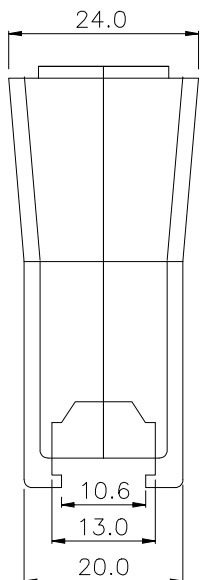
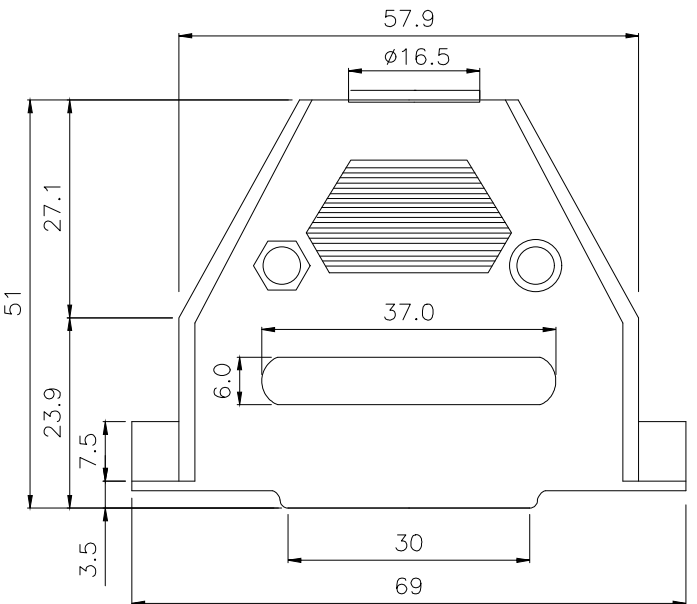
1 2 3 4 5 6 7

A



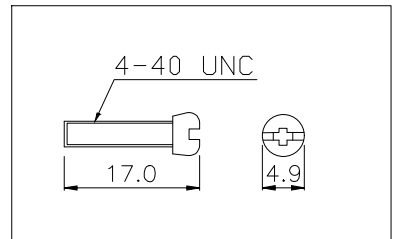
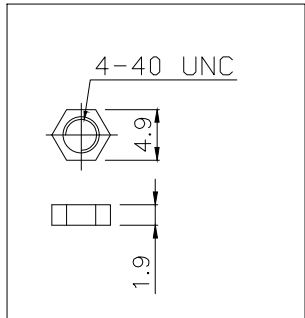
B

C



D

E



F

RoHS compliant
Unit: mm

Scale	Free	⑨	Update	03.12.2025	Raed		Date	Name	Customer-No.
TOLERANCE		⑧	Update dimension for 9&25 pins	26.11.2021	Daniel	Drawn	12.01.2005	Ken	ASSMANN WSW-No. AGP 37 G-x
X.X	±0.30	⑦	Update spec description	06.05.2019	Xavier	Approved	03.12.2025	Raed	
X.XX	±0.20	⑥	Update the drawing	29.07.2015	Amy				
DIM	TOL	⑤	Corrected material	14.12.10	Dean				Drawing-No.
Angle	±5°	④	Drawing revised	06.07.07	N.Schulz				ASS 0557 CO
Angle	TOL	Id.	Modification	Date	Name	Replace	Sheet	5 / 6	

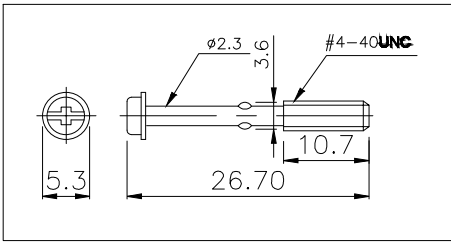
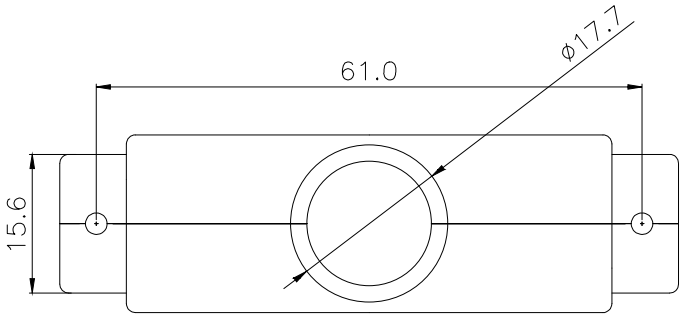
G

H

1 2 3 4 5 6 7

1 2 3 4 5 6 7

A

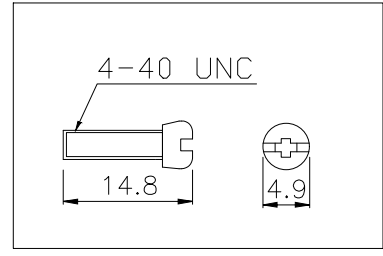
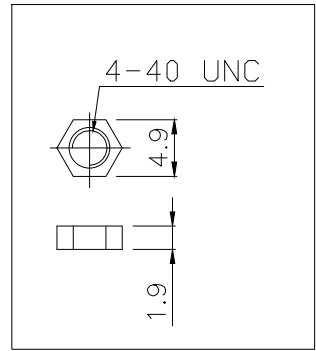
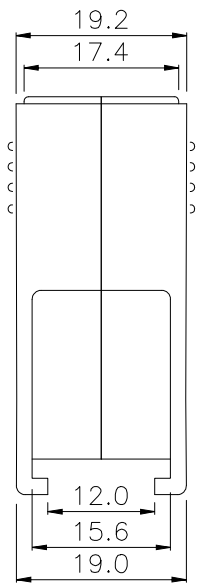
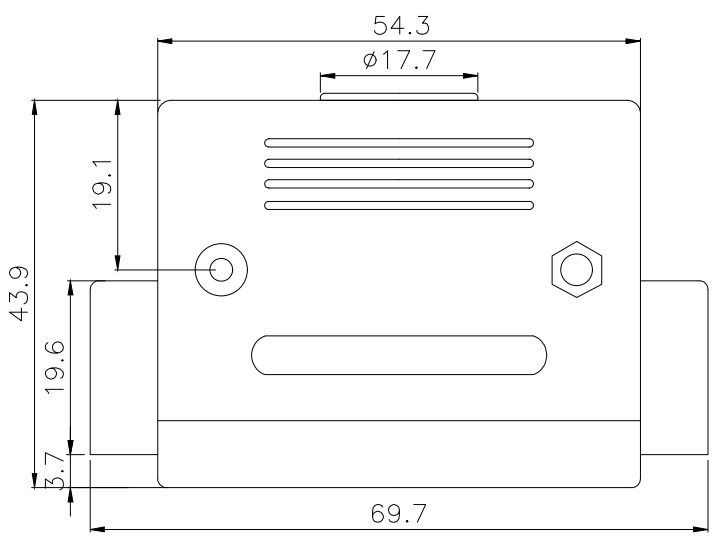


B

A

B

C



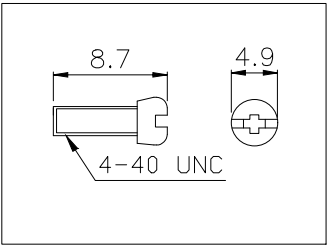
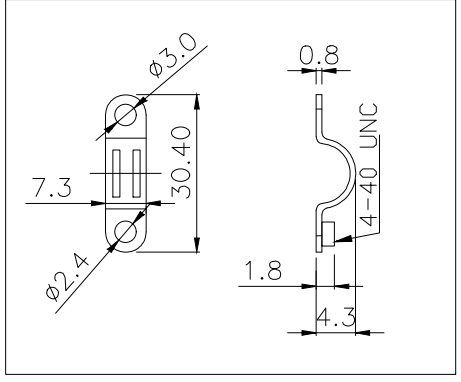
D

C

D

E

E



F

F

RoHS compliant
Unit: mm

Scale	Free	③	Update	03.12.2025	Raed		Date	Name	Customer-No.
TOLERANCE		⑧	Update dimension for 9&25 pins	26.11.2021	Daniel	Drawn	12.01.2005	Ken	ASSMANN WSW-No. AGP 50 G-x
X.X	±0.30	⑦	Update spec description	06.05.2019	Xavier	Approved	03.12.2025	Raed	
X.XX	±0.20	⑥	Update the drawing	29.07.2015	Amy				
DIM	TOL	⑤	Corrected material	14.12.10	Dean				Drawing-No.
Angle	±5°	④	Drawing revised	06.07.07	N.Schulz				ASS 0557 CO
Angle	TOL	Id.	Modification	Date	Name	Replace	Sheet	6 / 6	

G

H

1 2 3 4 5 6 7