

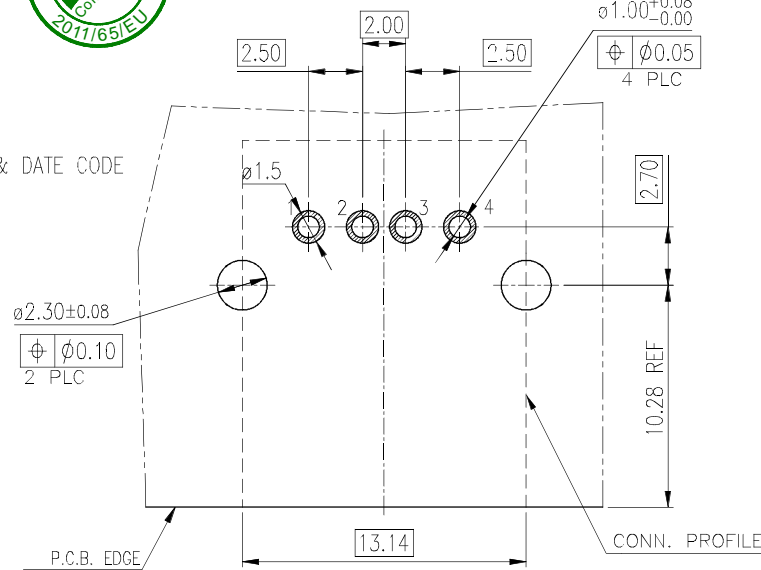
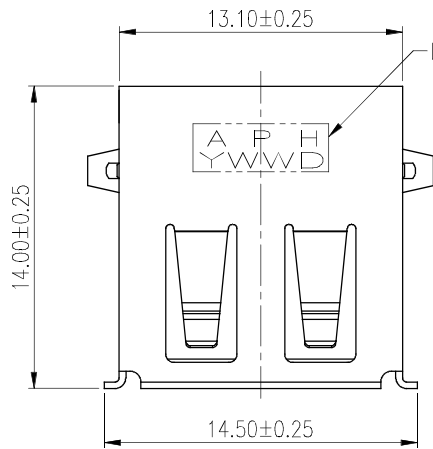
This document is the property of Amphenol Corporation and is delivered on the express condition that it is not to be disclosed, reproduced or used, in whole or in part, for manufacture or sale by anyone other than Amphenol Corporation without its prior consent, and that no right is granted to disclose or to use any information in this document.

The marking on this product doesn't contain environmental hazardous materials per Material Specification 55-00759 for Sony GP compliant or per directive 2011/65/EC for RoHS compliant.



ORIGINAL

REVISIONS				
SYM	ECN No.	DESCRIPTION	DATE	APPROVED
A		RELEASE FOR RoHS	10/12/2010	Arron Lin
B	NE-11036	ADDED DATE CODE	03/18/2011	Arron Lin
C	NE-13014	ADDED P/N FOR SHELL NI PLATING	01/21/2013	Arron Lin
D	NE-15039	UPDATE DRAWING TO CURRENT SAMPLE	03/30/2015	Arron Lin
E	NE-17018	CHANGE DATE CODE / UPDATE BACK VIEW	03/14/2017	Roger Tsai



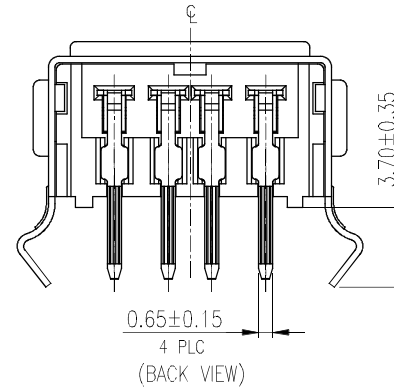
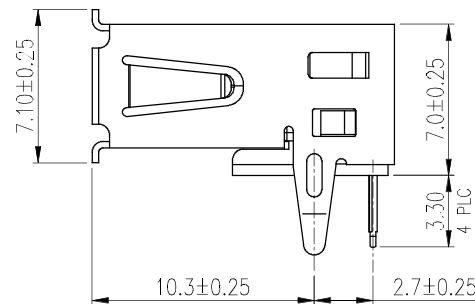
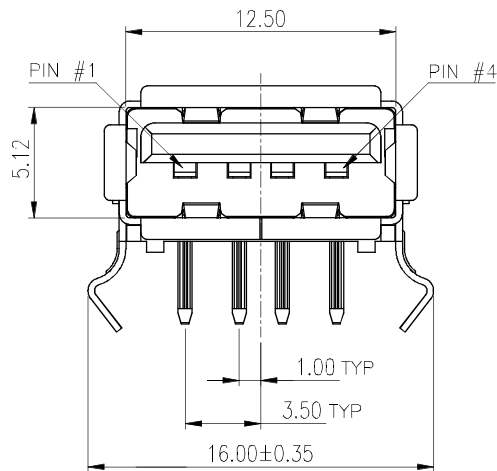
NOTES:

- MATERIAL:**
HOUSING: HIGH TEMPERATURE THERMAL PLASTIC, PA9T, UL94V-0, COLOR: OPTIONS.
TERMINAL: COPPER ALLOY.
SHELL: COPPER ALLOY.
- FINISH:**
TERMINAL:
CONTACT AREA: SELECTIVE GOLD PLATING.
SOLDERING AREA: MATTE TIN PLATING 100 μ" THICKNESS MIN.;
UNDER PLATING: NICKEL PLATING 50 μ" THICKNESS MIN. OVERALL.
SHELL: SELECTIVE PLATING.
- PACKING IS PER AMTA PACKING SPECIFICATION PKS-0001.**
- THIS PRODUCT DOESN'T CONTAIN ENVIRONMENTAL HAZARDOUS PER DIRECTIVE 2011/65/EC FOR RoHS COMPLIANT.**
- THIS PRODUCT IS FOR WAVE SOLDER PROCESS.**



RECOMMEND P.C.B LAYOUT (THICKNESS 2.4mm)
(COMPONENT SIDE) TOLERANCE±0.05mm

▨ : RECOMMEND SOLDER PAD AREA



PART NO. GSB121 X X 03 X EU

CONTACT FINISH
1: GOLD FLASH
2: 30 u" GOLD
4: 5 u" GOLD
5: 15 u" GOLD

SHELL PLATING OPTIONS
BLANK: MATT TIN 100u"
(UNDER PLATING 50u" NICKEL)
1: NI 50u"

COLOR
0: WHITE
1: BLACK
2: BEIGE
3: BLUE

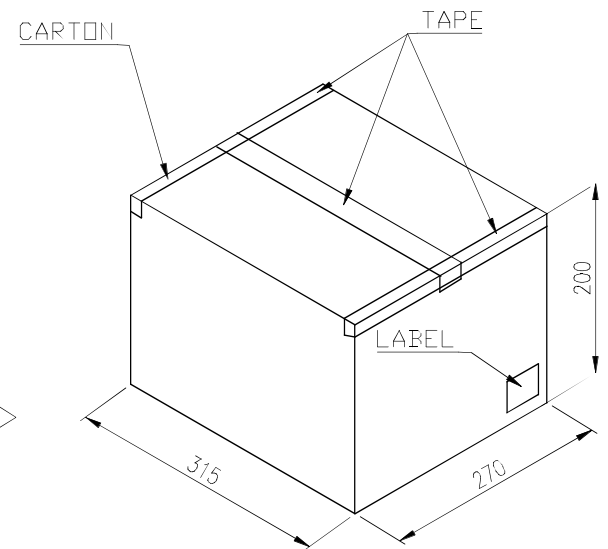
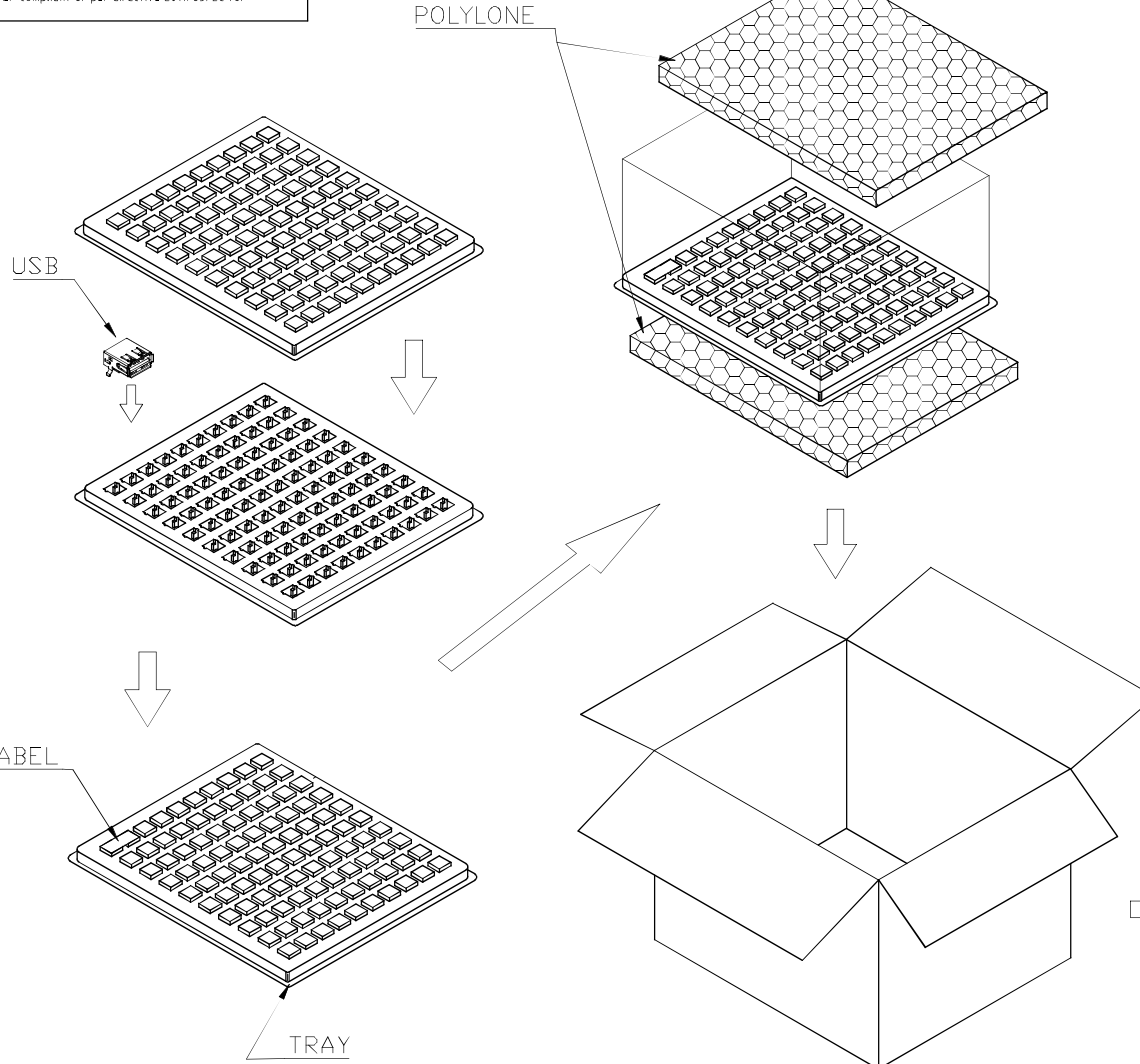
TOLERANCE	APPROVALS	DATE	TITLE			PART No.		
X. ±0.30	DRAWN Karen Su	03/14/2017	USB SERIES STANDARD A TYPE CONNECTOR (SOLDER TAIL: 3.30 MM)			Amphenol® Amphenol Corporation Amphenol Taiwan Corporation		
X.X ±0.20	CHECKED Roger Tsai	03/14/2017						
X.XXX ±0.10	APPROVED Roger Tsai	03/14/2017						
ANGULAR ±1°	DWG TYPE CUST DWG	PROJECT CODE OTHER	UNIT mm	SIZE A3	PART No. GSB121XX03XEU			
UNLESS OTHERWISE SPECIFIED			SCALE NA	SHEET 1 OF 2	DWG No. GSB121XX03XEU			
					REV. E			

This document is the property of Amphenol Corporation and is delivered on the express condition that it is not to be disclosed, reproduced or used, in whole or in part, for manufacture or sale by anyone other than Amphenol Corporation without its prior consent, and that no right is granted to disclose or to use any information in this document.

The marking on this product doesn't contain environmental hazardous materials per Material Specification 55-00759 for Sony GP compliant or per directive 2011/65/EC for RoHS compliant.

ORIGINAL

REVISIONS				
SYM	ECN No.	DESCRIPTION	DATE	APPROVED
A		RELEASE FOR RoHS	10/12/2010	Arron Lin
B	NE-11036	ADDED DATE CODE	03/18/2011	Arron Lin
C	NE-13014	ADDED P/N FOR SHELL NI PLATING	01/21/2013	Arron Lin
D	NE-15039	UPDATE DRAWING TO CURRENT SAMPLE	03/30/2015	Arron Lin
E	NE-17018	CHANGE DATE CODE / UPDATE BACK VIEW	03/14/2017	Roger Tsai



100	10	1000	3.10	2.03
PCS/ TRAY	TRAYS/ CARTON	QUANTITY (PCS)	G/W (Kg)	N/W (Vg)

TOLERANCE	APPROVALS	DATE	TITLE		PART No.	
X. ±0.30	DRAWN Karen Su	03/14/2017	USB SERIES STANDARD A TYPE CONNECTOR (SOLDER TAIL: 3.30 MM)		Amphenol [®] Amphenol Corporation Amphenol Taiwan Corporation	
X.X ±0.20	CHECKED Roger Tsai	03/14/2017				
X.XXX ±0.10	APPROVED Roger Tsai	03/14/2017				
ANGULAR ±1°	DWG TYPE CUST DWG	PROJECT CODE OTHER		UNIT mm	SIZE A3	PART No. GSB121XX03XEU
UNLESS OTHERWISE SPECIFIED				SCALE NA	SHEET 2 OF 2	DWG No. GSB121XX03XEU REV. E