

CX Series

USB Type-C Connector

CXTM
series



Wide Variation



Click Feeling



USB4



Product Page
<https://www.hirose.com/en/product/series/CX>



Special Features Page
<https://www.hirose.com/en/product/pr/CX/>

USB from Hirose Electric: Standard connections, inspired solutions.

Overview

The CX Series connectors conform to the next-generation USB standard USB Type-C®. Its use as a standard interface is expected to spread to a wide variety of devices in the consumer, industrial machinery and automotive markets. USB Type-C® is a registered trademark of USB Implementers Forum, Inc.

Features

1. USB Type-C compliant interface connector

- High speed transmission : 20Gbps / USB4 Gen.2x2
5Gbps / USB3.0
480Mbps / USB2.0
- Supports 5A, 48V, 240W
(Products supporting 6A are also available.)

2. Reversible plug orientation ensures easy insertion



3. Clear Tactile Click (Excellent Lock Design)

The CX Series has a superior click feel when mating and is designed to prevent incomplete mating.

4. Wide Product Variation

Receptacle

- PCB Mounting Type
 - Mid-Mount
 - Top-Mount
- Mounting Methods
 - Right Angle Hybrid (SMT+THR*)
 - *THR: Through Hole Reflow
 - Right Angle SMT (Double-row / Single-row)
 - Vertical SMT
- Water/Dust Resistant Type (IEC60529 Standard)
 - IP54, Test Conditions (Unmated)
 - * Water Resistance :
Spray 10L/min of water at 50-150Kpa for 10 minutes
 - * Dust Resistance :
Left the connector in a test chamber containing talcum powder with a density of 2 kg/m³ and particle size less than 75 μm
 - IP68, Test Conditions (Unmated)
 - * Water Resistance :
Immersed in 1.5 meters water depth for 30 minutes
 - * Dust Resistance :
Left the connector in a test chamber containing 2 kg/m³ talcum powder (particles less than 75 μm) under a maximum decompression of 2 kPa for 8 hours
 - IP69K, Test Conditions (Unmated)
 - * Water Resistance :
Spray 80°C water at 8-10Mpa for 30 seconds in each of 4 angles from 10-15cm
 - * Dust Resistance :
Left the connector in a test chamber containing 2 kg/m³ talcum powder (particles less than 75 μm) under a maximum decompression of 2 kPa for 8 hours
- Available in a variety of options including space-saving, low profile and robust types



Receptacle Variations

Plug

- PCB Mounting Type
 - Top-Mount
- Plug Unit, Plug Shell
- Slim Type
- Screw Locking Types
 - Dual screw
 - Single screw



Plug Variations

5. Halogen-free

No chlorine or bromine exceeding the standard value is used in the connector.

* As defined by IEC 61249-2-21
 Br : 900ppm max., Cl : 900ppm max.,
 Br+Cl : 1500ppm max.

Product Specifications

| | | | | |
|---------------|----------------|--|---------------------------------|-----------------------------------|
| Rated Current | 5A | Power : 1.25A Max. (A1, A4, A9, A12, B1, B4, B5, B9, B12) Other : 0.25A | Operating Temperature (Note 1) | -40 to +105°C |
| | 6A | Power : 1.5A Max. (A1, A4, A9, A12, B1, B4, B5, B9, B12) Other : 0.25A | Operating Humidity Range | 95% RH Max. (No condensation) |
| Rated Voltage | 48V AC/DC Max. | | Storage Temperature (Note 2) | -10 to +60°C |
| | | | Storage Humidity Range (Note 2) | 15 to 70% RH (No condensation) |

| Items | Specifications | Conditions |
|--------------------------------------|--|-------------------------------------|
| Contact Resistance | 40mΩ Max. (Initial) | Measured at 100mA (DC or 1000Hz) |
| Withstanding Voltage | No insulation breakdown | 100V AC for 1 min. |
| Mating Durability | Contact resistance : Increase by 10mΩ or less from the initial value. | 10000 insertion / extraction cycles |
| Overall Insertion / Extraction Force | Insertion : 5-20N Extraction : 8-20N (Initial), 6-20N (After Testing) | Measured with applicable connector |

Note 1 : Includes the temperature rise due to current flow.

Note 2 : The term "storage" refers to products stored for long period of time prior to mounting and use.

Operating Temperature and Humidity Range are applicable when non-powered after PCB mounting and when temporarily stored during transportation.

Note 3 : Information contained in this catalog represents general requirements for this Series. Please refer to product specifications sheet for detail each of products.

Materials / Finish

Receptacle

| Component | Materials | Color / Finish | Remarks |
|--------------|-----------------|----------------|---------|
| Insulator | Thermoplastic | Black | UL94V-0 |
| Contact | Copper Alloy | Gold Plating | - |
| Ground Plate | Stainless Steel | - | - |
| Mid Plate | Stainless Steel | Nickel Plating | - |
| Shell | Stainless Steel | Nickel Plating | - |

Plug

| Component | Materials | Color / Finish | Remarks |
|---------------|-----------------|----------------|---------|
| Insulator | Thermoplastic | Black | UL94V-0 |
| Contact | Copper Alloy | Gold Plating | - |
| Lock Spring | Stainless Steel | Nickel Plating | - |
| Ground Spring | Stainless Steel | Nickel Plating | - |
| Shell | Stainless Steel | Nickel Plating | - |

Note : Information contained in this catalog represents general requirements for this Series. Please refer to product drawing for details on each of the products.

Product Number Structure

Refer to the chart below when determining the product specifications from the product number.
Please select from the product numbers listed in this catalog when placing orders.

Receptacle

CX 90 M W 2 G - 24 P #
 ① ② ③ ④ ⑤ ⑥ ⑦ ⑧ ⑨

Plug

CX 60 - 24 S - UNIT
 ① ② ⑦ ⑧ ⑩

CX 60 - SLDA
 ① ② ⑦

CX 60 - 24 S - 1000 C1 1
 ① ② ⑦ ⑧ ⑪ ⑫ ⑬

| | | |
|----------------------------|--------------------------|--|
| ① Series Name | CX | CX Series |
| ② Mounting Type | 60 70 80, 81 90 | Paddle Card (PCB Wire Soldering) Right Angle Hybrid (SMT+THR) *THR:Through Hole Reflow Vertical SMT Right Angle SMT |
| ③ PCB Mounting Type | B M | Top-Mount Mid-Mount |
| ④ Special Specification I | Blank W WD | Standard Water/Dust Resistance Water/Dust Resistance with Drawn shell |
| ⑤ Serial No. I | - | None or 1, 2, 3, ..., 1A, 1B, ... |
| ⑥ Special Specification II | Blank G | Standard With Gasket |
| ⑦ No. of Pos. | - | 16, 24 |
| ⑧ Contact Type | P S | Male Contacts Female Contacts |
| ⑨ Serial No. II | - | None or 1, 2, 3, ... |
| ⑩ Plug Components | UNIT SLDA | Plug Unit Plug Shell |
| ⑪ Cable Length | 1000 | 1000mm |
| ⑫ Cable Assembly Type | C CD CS | Type-C to Type-C, Standard (Non-Screw) Type-C to Type-C, Screw locking type (Dual screw) Type-C to Type-C, Screw locking type (Single screw) |
| ⑬ Serial No. III | - | None or 1, 2, 3, ... |

Product Variation

Water/Dust Resistant Receptacle

| PCB Mounting Type | Mounting Method | Part No. | Product Image | No. of Pos. | Transmission Speed | Rated Current | IP Code (Note) | Gasket |
|-------------------|------------------------------------|-----------------|---------------|-------------|---------------------------|---------------|----------------|-------------|
| Mid-Mount | Right Angle SMT Double-row | CX90MW9-24P | | 24pos. | 20Gbps USB4 Gen.2x2 | 5A | IP54 | With Gasket |
| | | CX90MW9-24P1 | | | | | IP68 & IP69K | |
| | | CX90MWD2-24P | | | 5Gbps | | Without Gasket | |
| | | CX90MWD2G-24P | | | | | | |
| | Right Angle SMT & Screw Single-row | CX90MW6-16P | | 16pos. | 480Mbps | 6A | IP54 | With Gasket |
| | | CX90MW8-16P | | | | | | |
| | Right Angle SMT Single-row | CX90MW8-16P1 | | | | | IP68 & IP69K | |
| | | | | | | | | |
| Top-Mount | Right Angle SMT Double-row | CX90BW1-24P | | 24pos. | 20Gbps USB4 Gen.2x2 | 5A | IP54 | |
| | | CX90BW1-24P1 | | | | | IP68 & IP69K | |
| | Right Angle SMT Single-row | CX90BW-16P(001) | | 16pos. | 480Mbps | | IP54 | |
| | | CX90BW-16P1 | | | | | IP68 & IP69K | |

Note : Test Conditions (Unmated)

- IP54 : Water Resistance : Spray 10L/min of water at 50-150Kpa for 10 minutes
Dust Resistance : Left the connector in a test chamber containing talcum powder with a density of 2 kg/m³ and particle size less than 75 μm
- IP68 : Water Resistance : Immersed in 1.5 meters water depth for 30 minutes
Dust Resistance : Left the connector in a test chamber containing 2 kg/m³ talcum powder(particles less than 75 μm) under a maximum decompression of 2 kPa for 8 hours
- IP69K : Water Resistance : Spray 80°C water at 8-10Mpa for 30 seconds in each of 4 angles from 10-15cm
Dust Resistance : Left the connector in a test chamber containing 2 kg/m³ talcum powder(particles less than 75 μm) under a maximum decompression of 2 kPa for 8 hours








Standard Receptacle

*THR : Through Hole Reflow

| PCB Mounting Type | Mounting Method | Part No. | Product Image | No. of Pos. | Transmission Speed | Rated Current | Features |
|-------------------|-------------------------------|-------------|---|---|---------------------------|---------------|--|
| Mid-Mount | Right Angle Hybrid (SMT+THR*) | CX70M-24P1 |  | 24pos. | 5Gbps | 5A | Space-Saving 8.35mm Depth TID No. 5,200,000,077 |
| | | CX70M-24P2 |  | | | | Space-Saving 7.95mm Depth |
| | | CX70M1-24P |  | | | | Space-Saving Shell Spring Design |
| | Right Angle SMT Double-row | CX90M3-24P |  | 16pos. | 480Mbps | 6A | Space-Saving Shell Spring Design |
| | Right Angle SMT Single-row | CX90M-16P |  | | | | Space-Saving Round Shell Type |
| | | | CX90MF-16P |  | | | |
| Top-Mount | Vertical SMT | CX80B1-24P |  | 24pos. | 20Gbps USB4 Gen.2x2 | 5A | Low Profile TID No. 5,200,000,701 |
| | | CX80B2-24P |  | | | | Low Profile Shell Spring Design TID No. 8295 |
| | Right Angle SMT Double-row | CX90B1-24P |  | Robust Shell Through-Hole Height: 0.6mm TID No. 5,200,000,499 | | | |
| | | CX90B1B-24P |  | Robust Shell Through-Hole Height: 1.2mm TID No. 4626 | | | |
| | | CX90B2-24P |  | Shell Spring Design Shell Through-Hole Height: 1.2mm TID No. 7365 | | | |
| | | CX90B2-24P1 |  | Shell Spring Design Shell Through-Hole Height: 0.6mm | | | |
| | Right Angle SMT Single-row | CX90B-16P |  | 16pos. | 480Mbps | | Space-Saving Round Shell Type |
| | | CX90B-16P1 |  | | | | Space-Saving Shell Spring Design Flat Shell Type TID No. 9312 |

May.1.2026 Copyright 2026 HIROSE ELECTRIC CO., LTD. All Rights Reserved.

Plug

| Type | Style | Part No. | Product Image | No. of Pos. | Transmission Speed | Rated Current | Features |
|----------------|---|------------------|---|-------------|---------------------------|---------------|--|
| PCB Mounting | Vertical SMT | CX81B-24S |  | 24pos. | 20Gbps USB4 Gen.2x2 | 5A | Top-Mount With Lock Latch (Note) |
| | | CX81B-24S1 |  | | | | Top-Mount Without Lock Latch (Note) |
| Plug Unit | Paddle Card SMT Double-row (PCB Wire Soldering) | CX60-24S-UNIT |  | | | | |
| Plug Shell | - | CX60-SLDA |  | | - | | Slim Type |
| Cable Assembly | - | CX60-24S-1000-C1 |  | 24pos. | 20Gbps USB4 Gen.2x2 | 5A | Double-Ended, Cable Length:1m Slim Type TID No. 5648 |
| | | CX60-24S-1000-CD |  | | | | Double-Ended, Cable Length:1m Screw Locking Type [Dual Screw] |
| | | CX60-24S-1000-CS |  | | | | Double-Ended, Cable Length:1m Screw Locking Type [Single Screw] |

Note : The CX81B-24S and CX81B-24S1 have the same dimensions except with or without a lock latch.

Water/Dust Resistant Receptacle

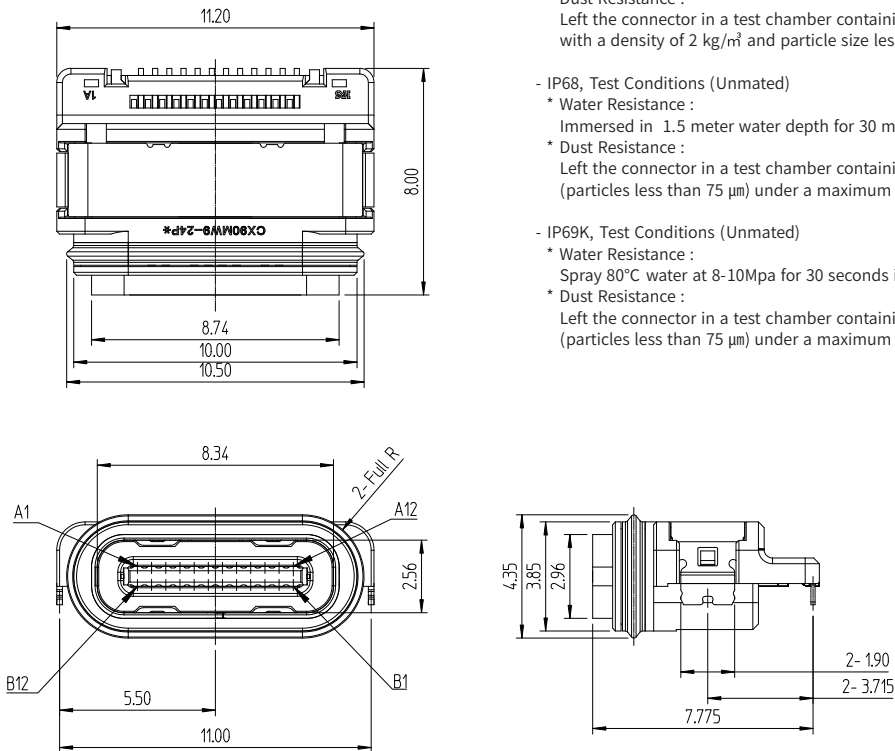
Mid-Mount, Right Angle (SMT Double-row), 24pos., Supports 20Gbps & 5A, With Gasket



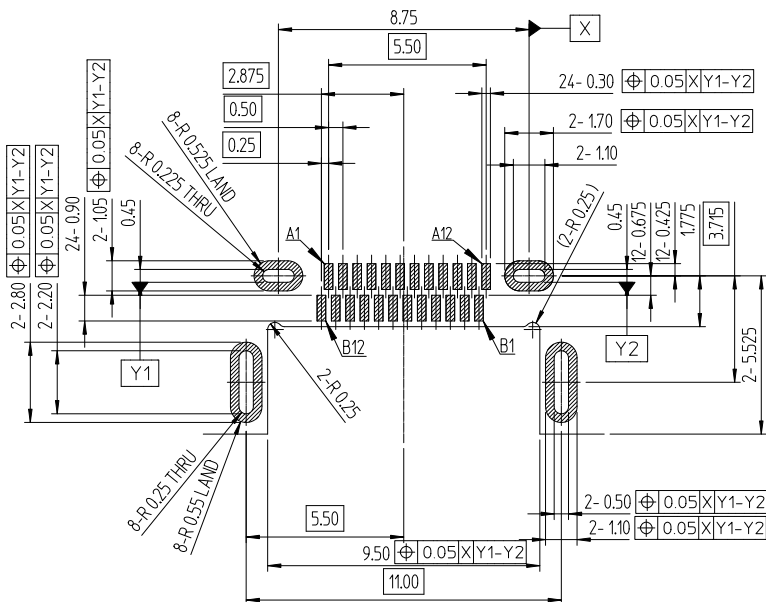
Unit : mm

| Part No. | HRS No. | IP Code | Purchase Unit |
|--------------|-------------------|--------------|------------------|
| CX90MW9-24P | CL 0480-1040-0-00 | IP54 | 1400pcs per reel |
| CX90MW9-24P1 | CL 0480-1041-0-00 | IP68 & IP69K | |

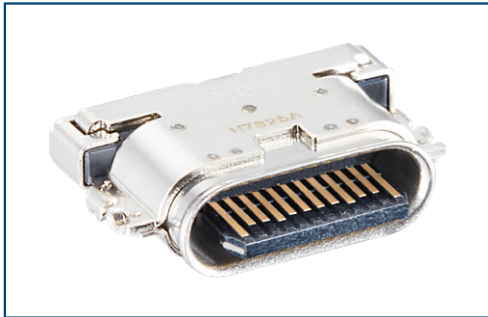
- IP54, Test Conditions (Unmated)
 - * Water Resistance : Spray 10L/min of water at 50-150Kpa for 10 minutes
 - * Dust Resistance : Left the connector in a test chamber containing talcum powder with a density of 2 kg/m³ and particle size less than 75 μm
- IP68, Test Conditions (Unmated)
 - * Water Resistance : Immersed in 1.5 meter water depth for 30 minutes
 - * Dust Resistance : Left the connector in a test chamber containing 2 kg/m³ talcum powder (particles less than 75 μm) under a maximum decompression of 2 kPa for 8 hours.
- IP69K, Test Conditions (Unmated)
 - * Water Resistance : Spray 80°C water at 8-10Mpa for 30 seconds in each of 4 angles from 10-15cm
 - * Dust Resistance : Left the connector in a test chamber containing 2 kg/m³ talcum powder (particles less than 75 μm) under a maximum decompression of 2 kPa for 8 hours.



Recommended PCB Layout



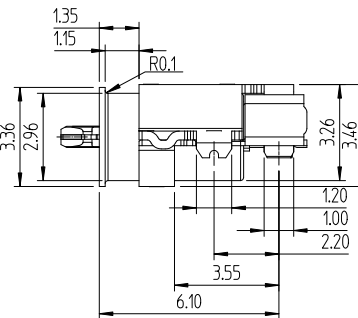
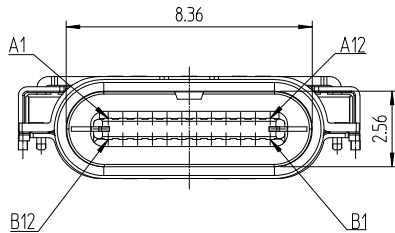
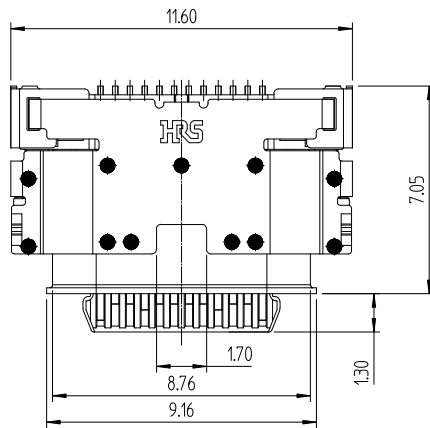
Mid-Mount, Right Angle (SMT Double-row), 24pos., Supports 5Gbps & 5A, Without Gasket



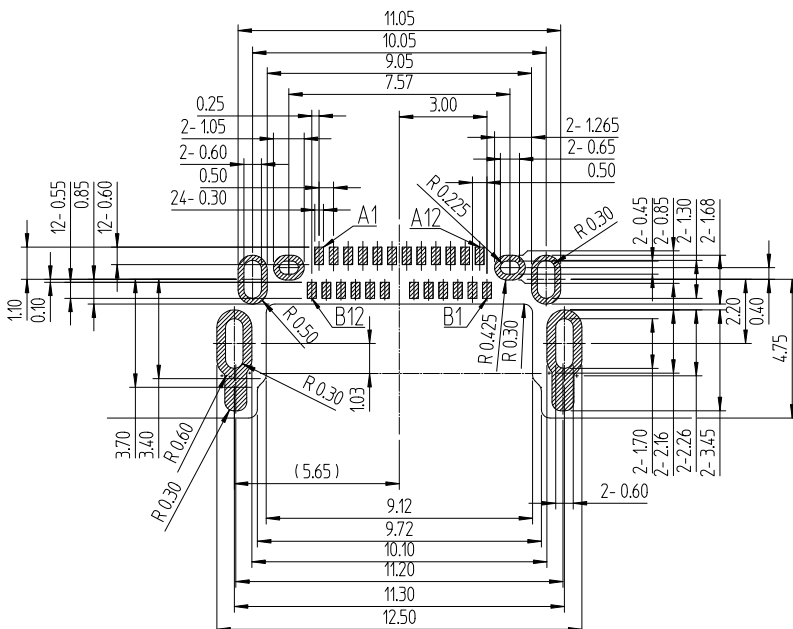
Unit : mm

| Part No. | HRS No. | IP Code | Purchase Unit |
|--------------|-------------------|--------------|------------------|
| CX90MWD2-24P | CL 0480-0609-0-00 | IP68 & IP69K | 1500pcs per reel |

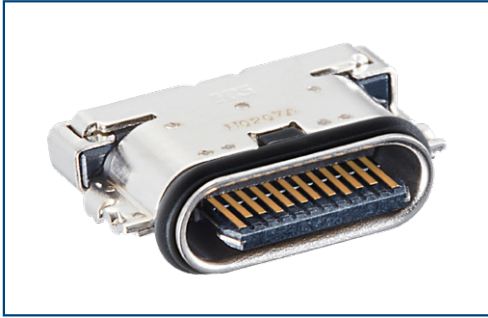
- IP68, Test Conditions (Unmated)
 - * Water Resistance : Immersed in 1.5 meter water depth for 30 minutes
 - * Dust Resistance : Left the connector in a test chamber containing 2 kg/m³ talcum powder (particles less than 75 μm) under a maximum decompression of 2 kPa for 8 hours.
- IP69K, Test Conditions (Unmated)
 - * Water Resistance : Spray 80°C water at 8-10Mpa for 30 seconds in each of 4 angles from 10-15cm
 - * Dust Resistance : Left the connector in a test chamber containing 2 kg/m³ talcum powder (particles less than 75 μm) under a maximum decompression of 2 kPa for 8 hours.



Recommended PCB Layout



Mid-Mount, Right Angle (SMT Double-row), 24pos., Supports 5Gbps & 5A, With Gasket

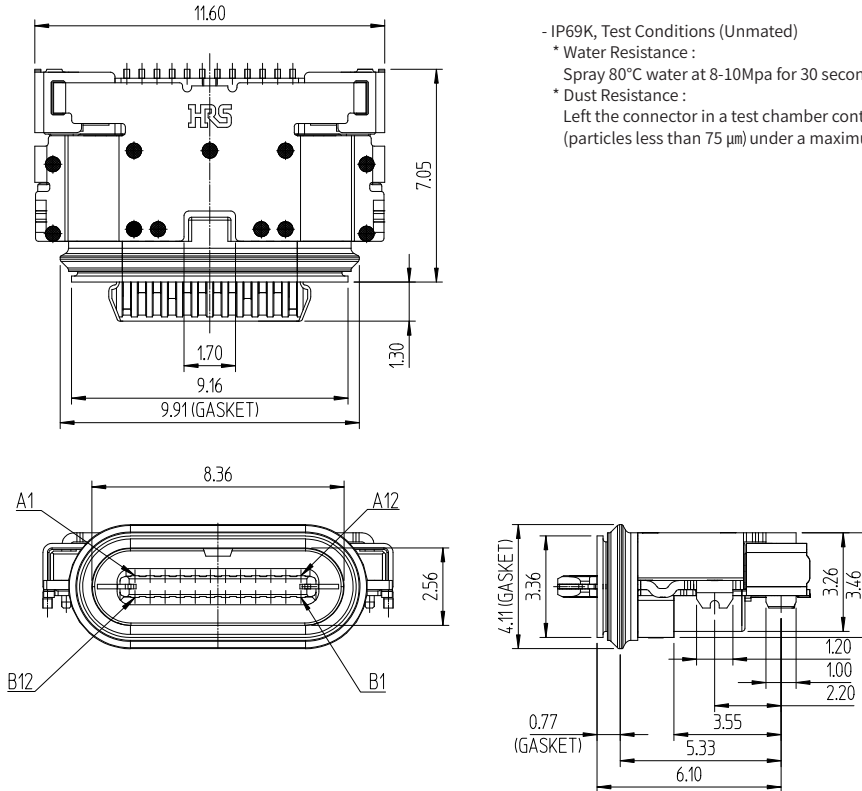


Unit : mm

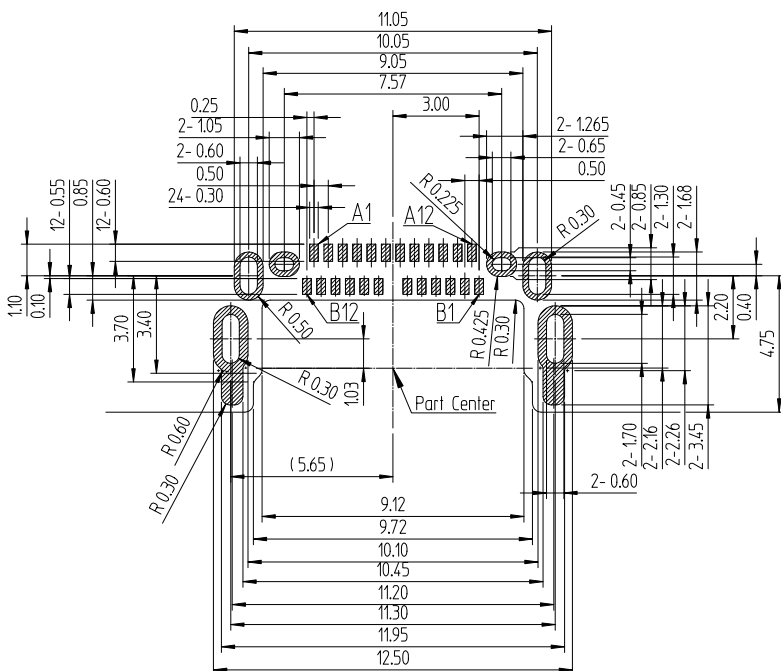
| Part No. | HRS No. | IP Code | Purchase Unit |
|---------------|-------------------|--------------|------------------|
| CX90MWD2G-24P | CL 0480-0770-0-00 | IP68 & IP69K | 1500pcs per reel |

- IP68, Test Conditions (Unmated)
 * Water Resistance :
 Immersed in 1.5 meter water depth for 30 minutes
 * Dust Resistance :
 Left the connector in a test chamber containing 2 kg/m³ talcum powder (particles less than 75 μm) under a maximum decompression of 2 kPa for 8 hours.

- IP69K, Test Conditions (Unmated)
 * Water Resistance :
 Spray 80°C water at 8-10Mpa for 30 seconds in each of 4 angles from 10-15cm
 * Dust Resistance :
 Left the connector in a test chamber containing 2 kg/m³ talcum powder (particles less than 75 μm) under a maximum decompression of 2 kPa for 8 hours.



Recommended PCB Layout



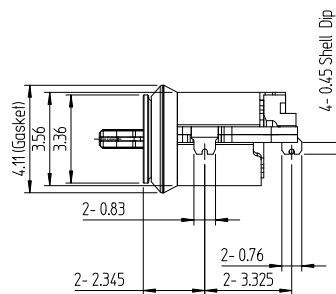
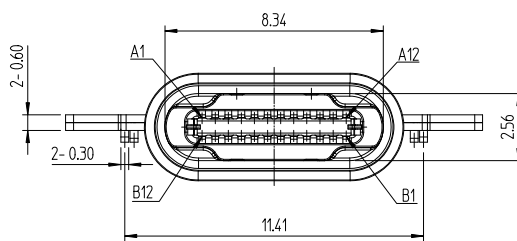
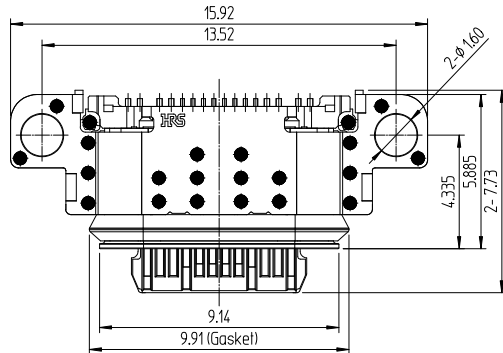
Mid-Mount, Right Angle (SMT Single-row), 16pos., Supports 480Mbps & 6A, With Gasket, Screw Mounting Design



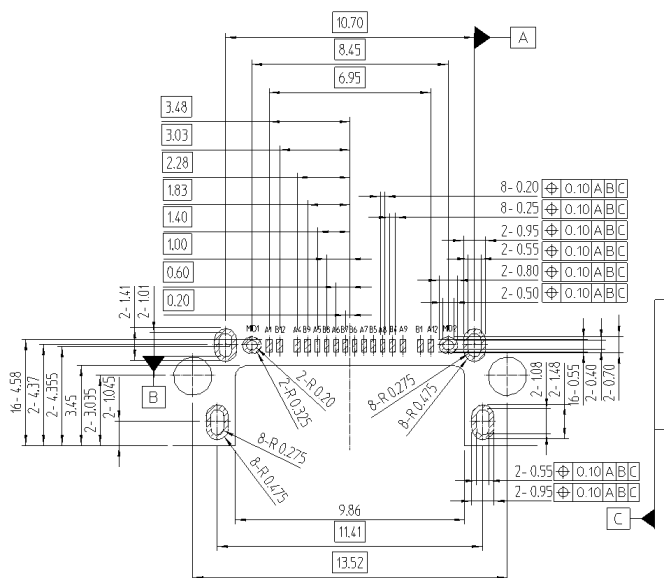
Unit : mm

| Part No. | HRS No. | IP Code | Purchase Unit |
|-------------|-------------------|--------------|------------------|
| CX90MW6-16P | CL 0480-0857-0-00 | IP68 & IP69K | 1500pcs per reel |

- IP68, Test Conditions (Unmated)
 - * Water Resistance : Immersed in 1.5 meter water depth for 30 minutes
 - * Dust Resistance : Left the connector in a test chamber containing 2 kg/m³ talcum powder (particles less than 75 μm) under a maximum decompression of 2 kPa for 8 hours.
- IP69K, Test Conditions (Unmated)
 - * Water Resistance : Spray 80°C water at 8-10Mpa for 30 seconds in each of 4 angles from 10-15cm
 - * Dust Resistance : Left the connector in a test chamber containing 2 kg/m³ talcum powder (particles less than 75 μm) under a maximum decompression of 2 kPa for 8 hours.



Recommended PCB Layout

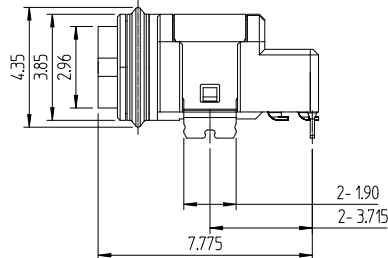
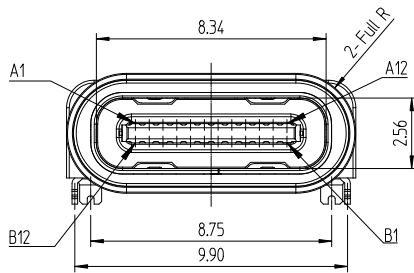
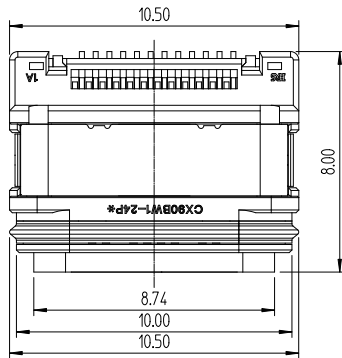


Top-Mount, Right Angle (SMT Double-row), 24pos., Supports 20Gbps & 5A, With Gasket



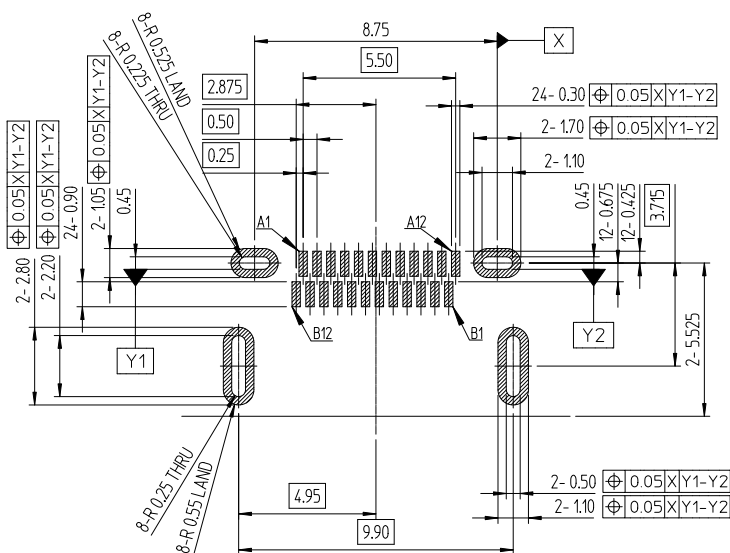
Unit : mm

| Part No. | HRS No. | IP Code | Purchase Unit |
|--------------|-------------------|--------------|------------------|
| CX90BW1-24P | CL 0480-1038-0-00 | IP54 | 1400pcs per reel |
| CX90BW1-24P1 | CL 0480-1039-0-00 | IP68 & IP69K | |



- IP54, Test Conditions (Unmated)
 - * Water Resistance :
Spray 10L/min of water at 50-150Kpa for 10 minutes
 - * Dust Resistance :
Left the connector in a test chamber containing talcum powder with a density of 2 kg/m³ and particle size less than 75 μm
- IP68, Test Conditions (Unmated)
 - * Water Resistance :
Immersed in 1.5 meter water depth for 30 minutes
 - * Dust Resistance :
Left the connector in a test chamber containing 2 kg/m³ talcum powder (particles less than 75 μm) under a maximum decompression of 2 kPa for 8 hours.
- IP69K, Test Conditions (Unmated)
 - * Water Resistance :
Spray 80°C water at 8-10Mpa for 30 seconds in each of 4 angles from 10-15cm
 - * Dust Resistance :
Left the connector in a test chamber containing 2 kg/m³ talcum powder (particles less than 75 μm) under a maximum decompression of 2 kPa for 8 hours.

Recommended PCB Layout



May.1.2026 Copyright 2026 HIROSE ELECTRIC CO., LTD. All Rights Reserved.

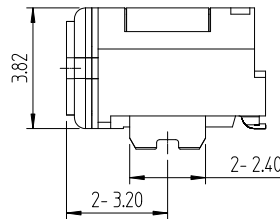
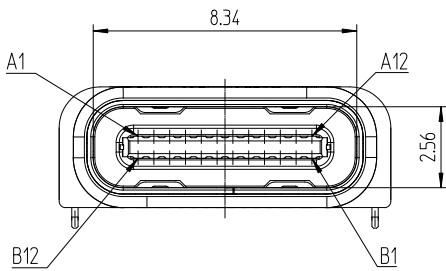
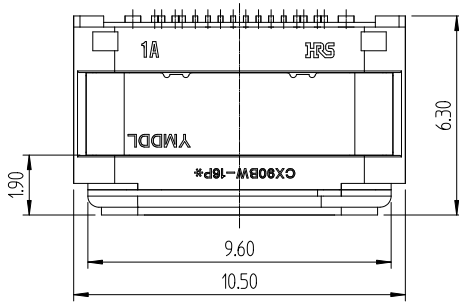
Top-Mount, Right Angle (SMT Single-row), 16pos., Supports 480Mbps & 5A, With Gasket



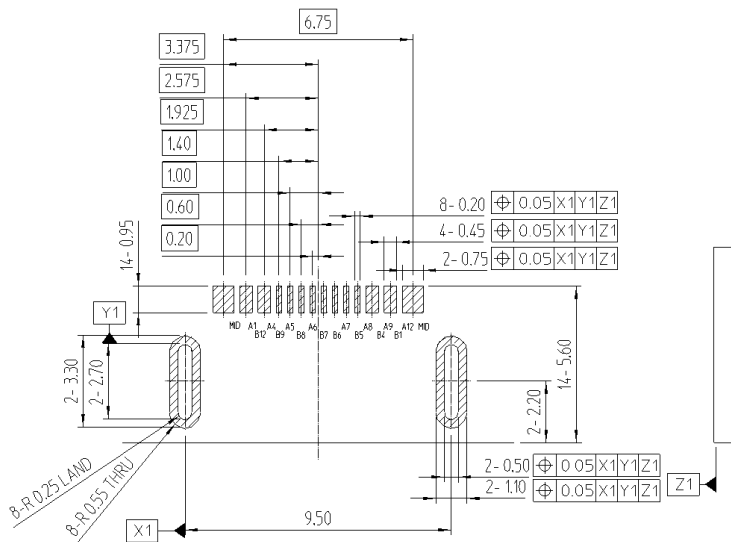
Unit : mm

| Part No. | HRS No. | IP Code | Purchase Unit |
|-----------------|-------------------|--------------|------------------|
| CX90BW-16P(001) | CL 0480-1034-0-00 | IP54 | 1400pcs per reel |
| CX90BW-16P1 | CL 0480-1035-0-00 | IP68 & IP69K | |

- IP54, Test Conditions (Unmated)
 - * Water Resistance :
Spray 10L/min of water at 50-150Kpa for 10 minutes
 - * Dust Resistance :
Left the connector in a test chamber containing talcum powder with a density of 2 kg/m³ and particle size less than 75 μm
- IP68, Test Conditions (Unmated)
 - * Water Resistance :
Immersed in 1.5 meter water depth for 30 minutes
 - * Dust Resistance :
Left the connector in a test chamber containing 2 kg/m³ talcum powder (particles less than 75 μm) under a maximum decompression of 2 kPa for 8 hours.
- IP69K, Test Conditions (Unmated)
 - * Water Resistance :
Spray 80°C water at 8-10Mpa for 30 seconds in each of 4 angles from 10-15cm
 - * Dust Resistance :
Left the connector in a test chamber containing 2 kg/m³ talcum powder (particles less than 75 μm) under a maximum decompression of 2 kPa for 8 hours.



Recommended PCB Layout



Standard Receptacle

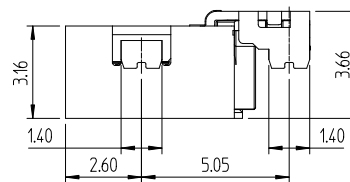
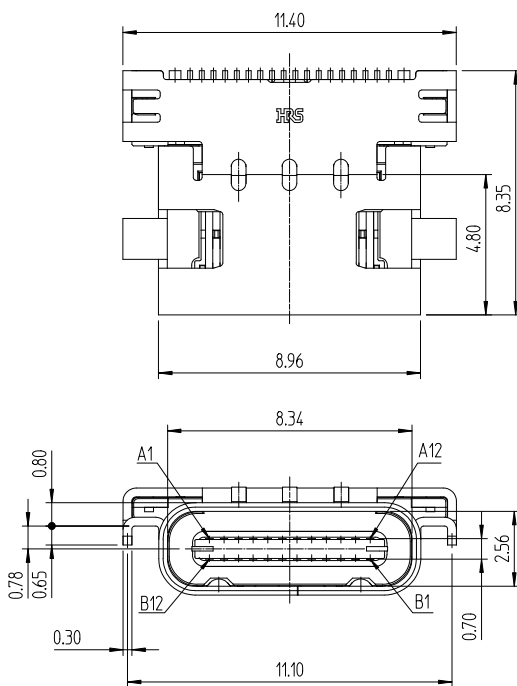
Mid-Mount, Right Angle Hybrid (SMT+THR*), 24pos., Supports 5Gbps & 5A, 8.35mm Depth



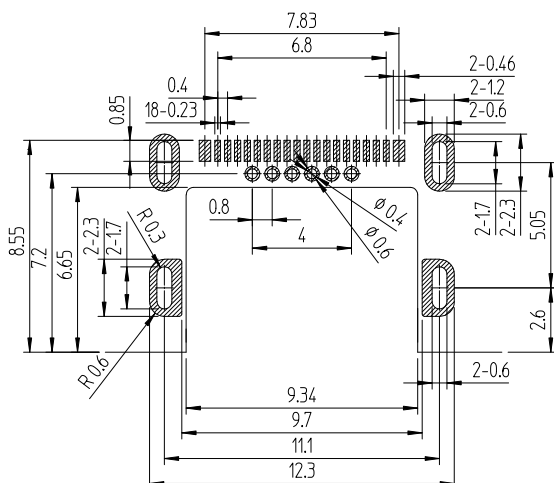
Unit : mm

| Part No. | HRS No. | Purchase Unit |
|------------|-------------------|------------------|
| CX70M-24P1 | CL 0480-0304-0-00 | 1500pcs per reel |

- TID No. 5,200,000,077
 * THR : Through Hole Reflow



Recommended PCB Layout



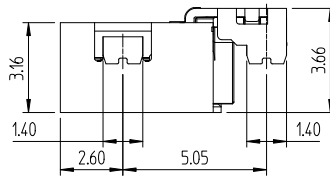
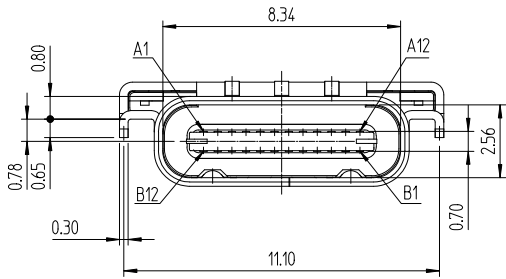
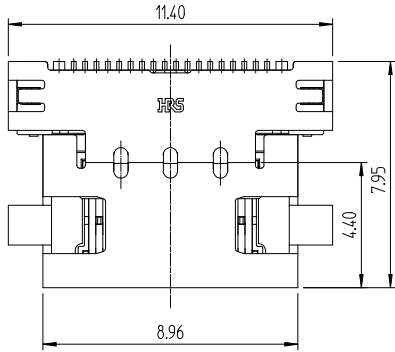
Mid-Mount, Right Angle Hybrid (SMT+THR*), 24pos., Supports 5Gbps & 5A, 7.95mm Depth



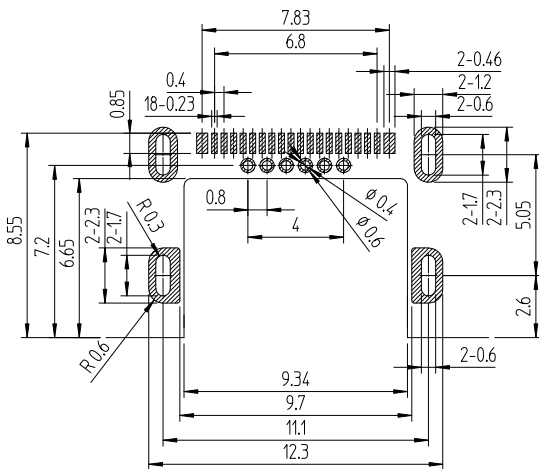
Unit : mm

| Part No. | HRS No. | Purchase Unit |
|------------|-------------------|------------------|
| CX70M-24P2 | CL 0480-0329-0-00 | 1500pcs per reel |

* THR : Through Hole Reflow



Recommended PCB Layout



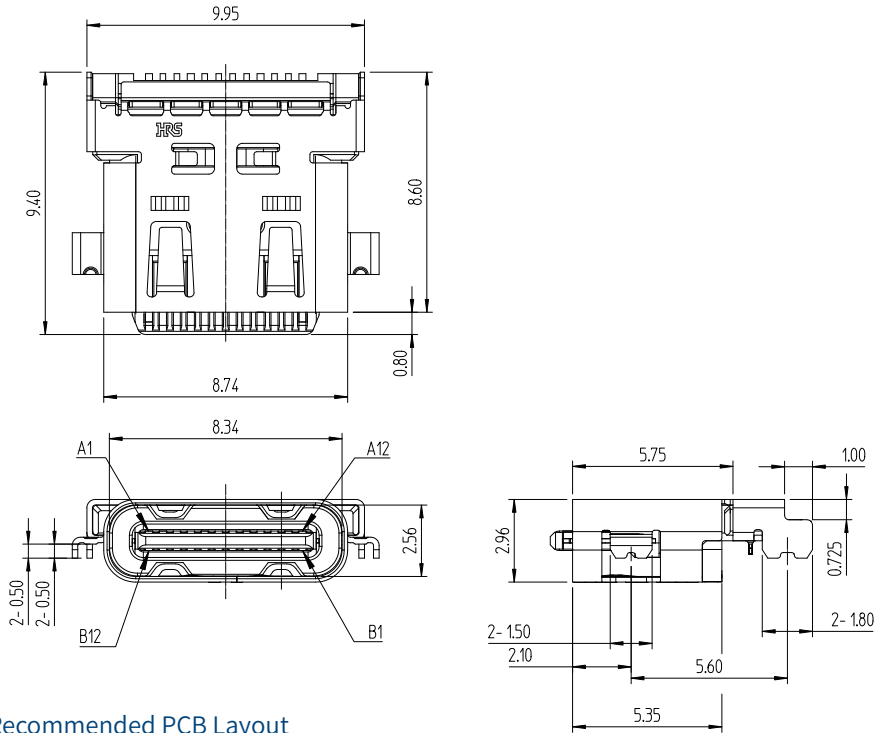
Mid-Mount, Right Angle Hybrid (SMT+THR*), 24pos., Supports 20Gbps & 6A, Shell Spring Design



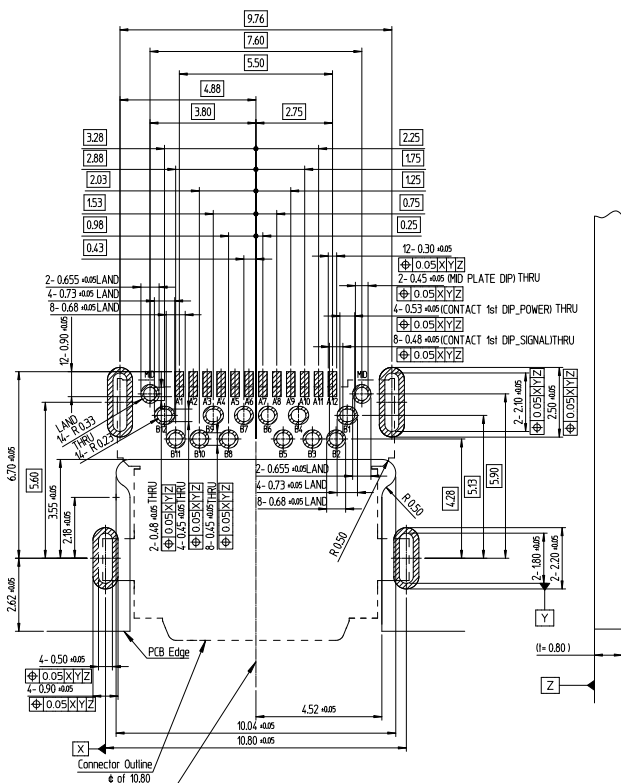
Unit : mm

| Part No. | HRS No. | Purchase Unit |
|------------|-------------------|------------------|
| CX70M1-24P | CL 0480-0691-0-00 | 1400pcs per reel |

* THR : Through Hole Reflow



Recommended PCB Layout

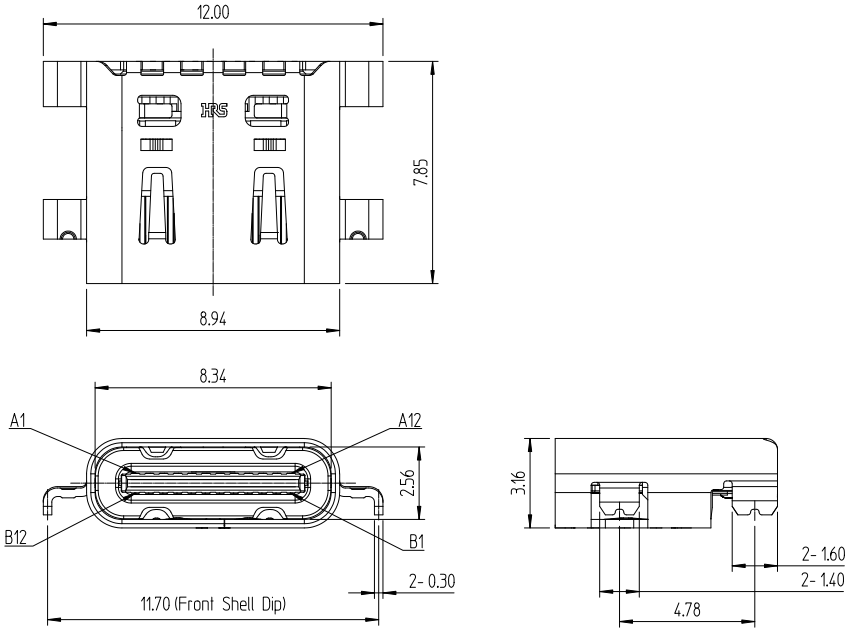


Mid-Mount, Right Angle (SMT Double-row), 24pos., Supports 20Gbps & 5A , Shell Spring Design

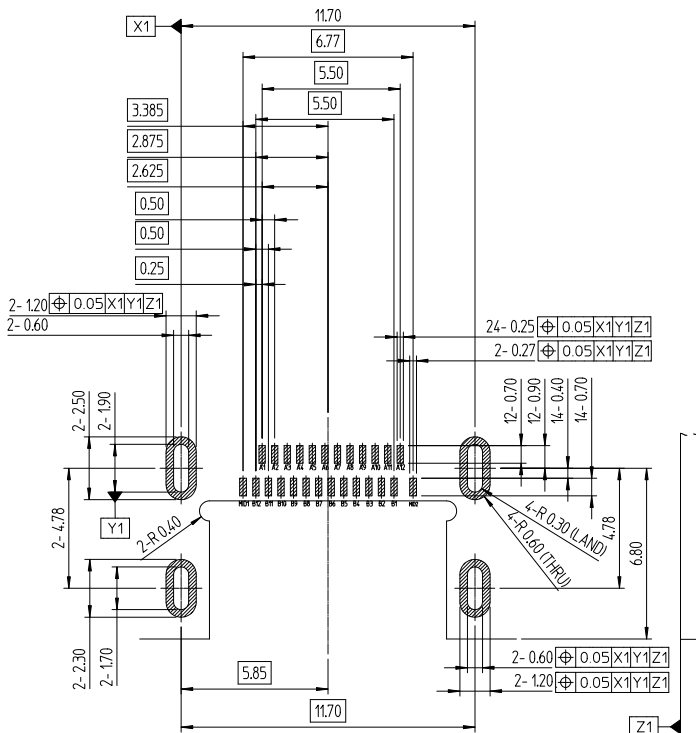


Unit : mm

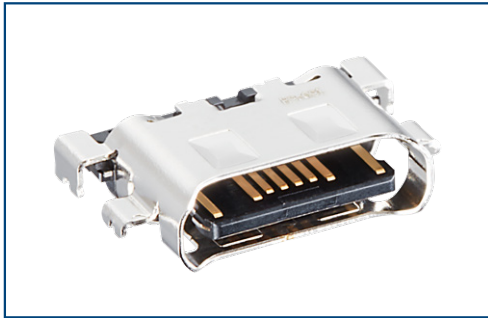
| Part No. | HRS No. | Purchase Unit |
|------------|-------------------|------------------|
| CX90M3-24P | CL 0480-0919-0-00 | 1500pcs per reel |



Recommended PCB Layout

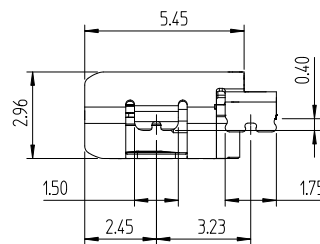
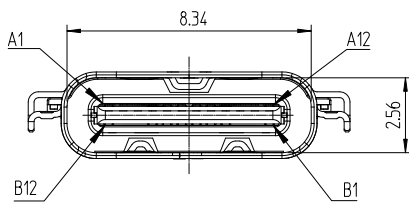
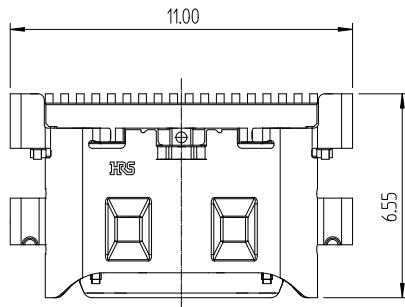


Mid-Mount, Right Angle (SMT Single-row), 16pos., Supports 480Mbps & 6A, Round Shell Type

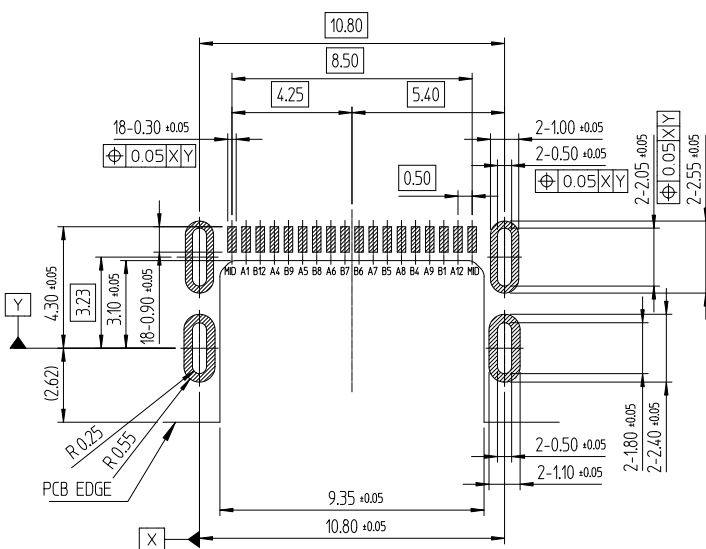


Unit : mm

| Part No. | HRS No. | Purchase Unit |
|-----------|-------------------|------------------|
| CX90M-16P | CL 0480-0513-0-00 | 1600pcs per reel |



Recommended PCB Layout

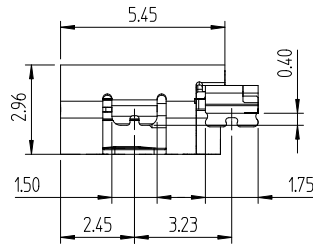
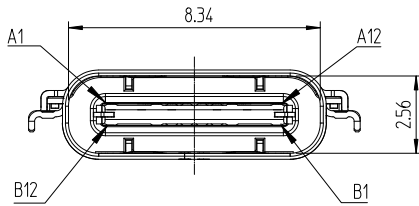
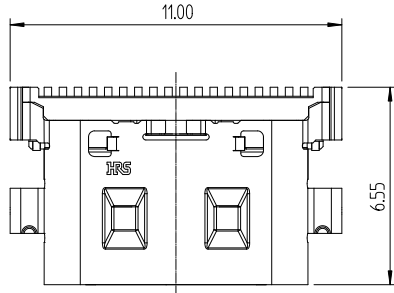


Mid-Mount, Right Angle (SMT Single-row), 16pos., Supports 480Mbps & 6A, Flat Shell Type

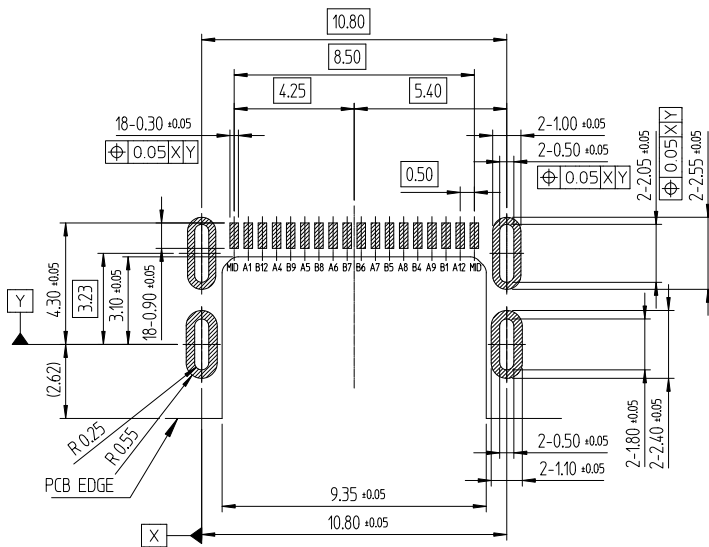


Unit : mm

| Part No. | HRS No. | Purchase Unit |
|------------|-------------------|------------------|
| CX90MF-16P | CL 0480-0985-0-00 | 1600pcs per reel |



Recommended PCB Layout



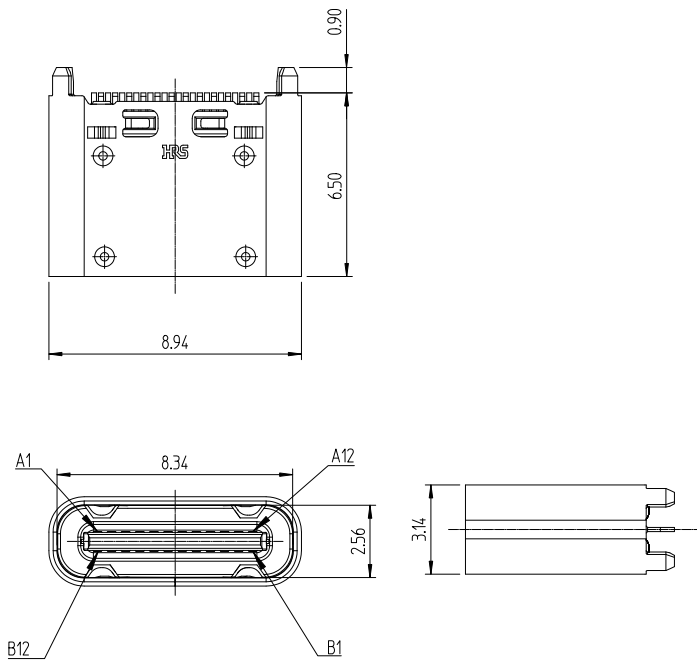
Top-Mount, Vertical (SMT), 24pos., Supports 20Gbps & 5A



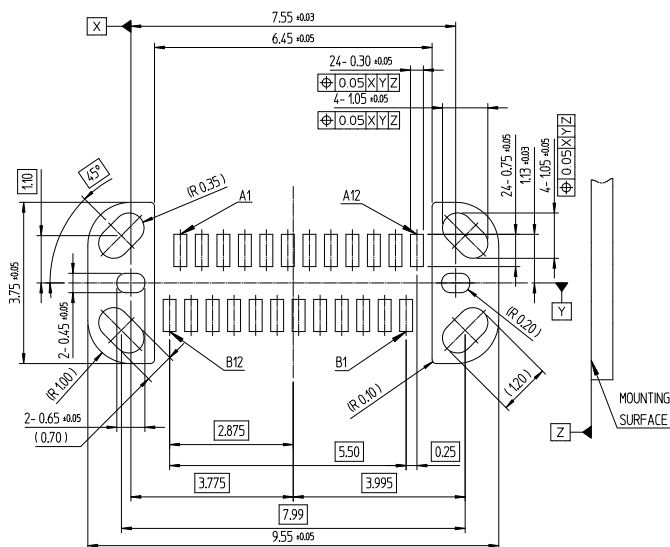
Unit : mm

| Part No. | HRS No. | Purchase Unit |
|------------|-------------------|-----------------|
| CX80B1-24P | CL 0480-0625-0-00 | 600pcs per reel |

- TID No. 5,200,000,701



Recommended PCB Layout



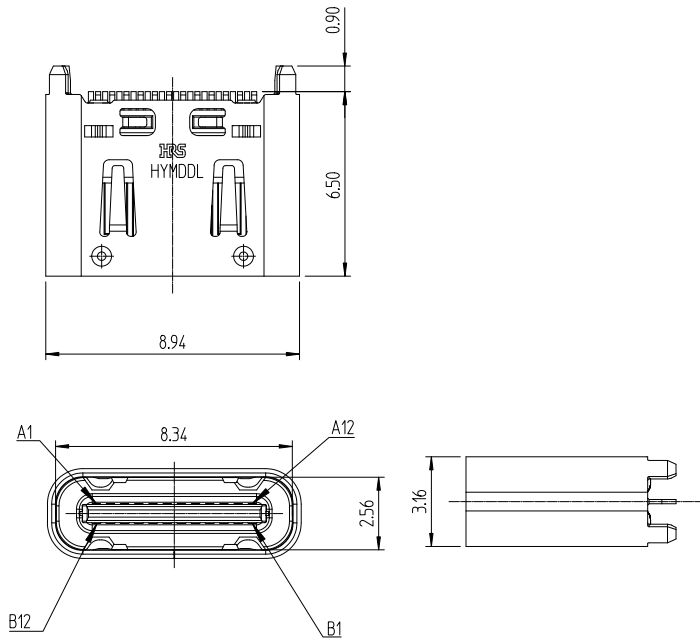
Top-Mount, Vertical (SMT), 24pos., Supports 20Gbps & 5A, Shell Spring Design



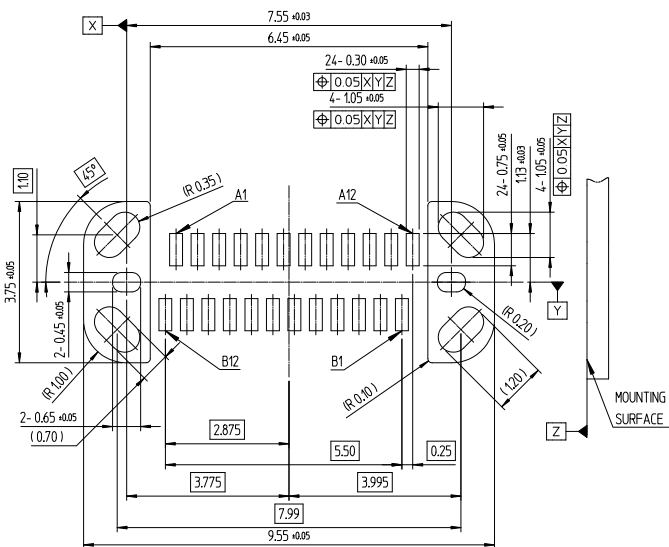
Unit : mm

| Part No. | HRS No. | Purchase Unit |
|------------|-------------------|-----------------|
| CX80B2-24P | CL 0480-0897-0-00 | 600pcs per reel |

- TID No. 8295



Recommended PCB Layout



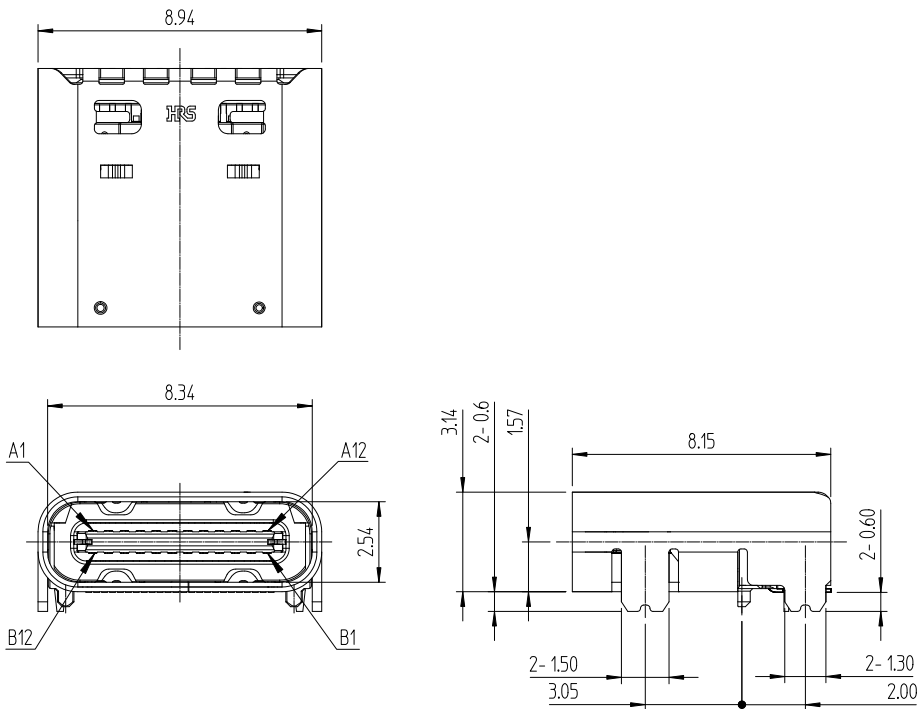
Top-Mount, Right Angle (SMT Double-row), 24pos., Supports 20Gbps & 5A, Shell Through-Hole Height : 0.6mm



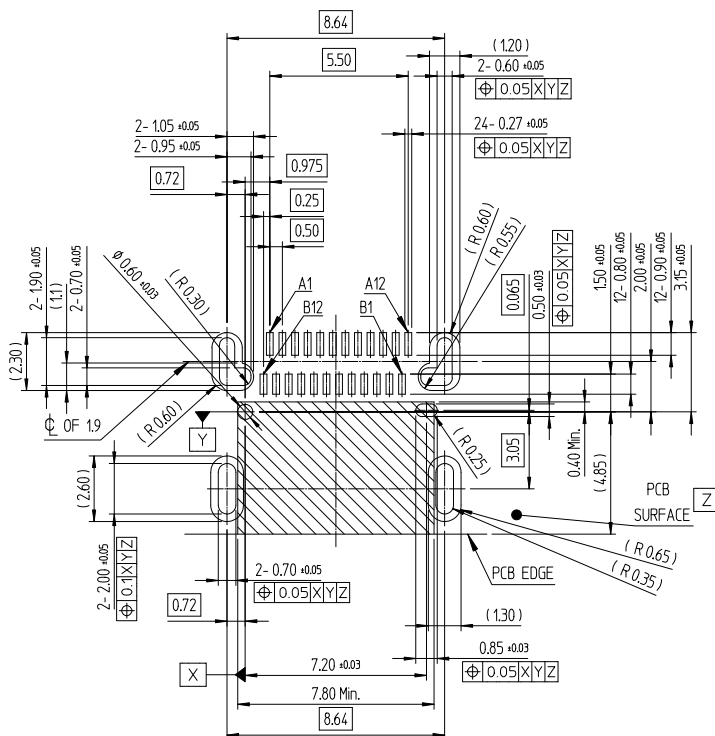
Unit : mm

| Part No. | HRS No. | Purchase Unit |
|------------|-------------------|------------------|
| CX90B1-24P | CL 0480-0497-0-00 | 1500pcs per reel |

- TID No. 5,200,000,499



Recommended PCB Layout



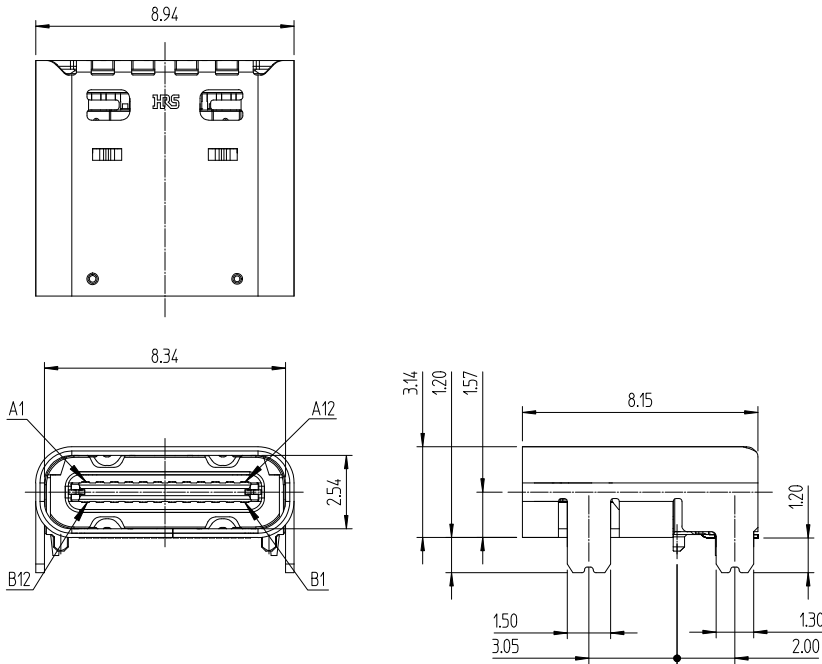
Top-Mount, Right Angle (SMT Double-row), 24pos., Supports 20Gbps & 5A, Shell Through-Hole Height: 1.2mm



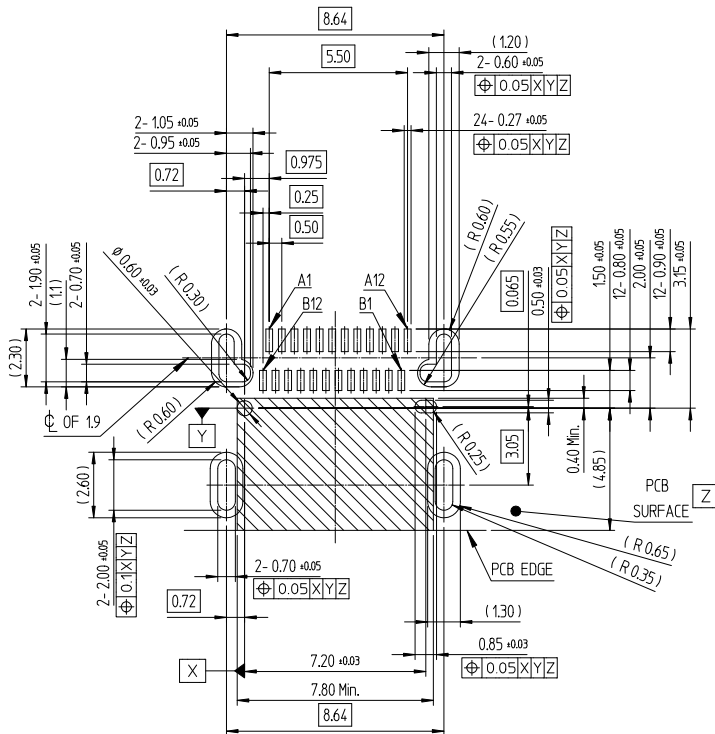
Unit : mm

| Part No. | HRS No. | Purchase Unit |
|-------------|-------------------|------------------|
| CX90B1B-24P | CL 0480-0809-0-00 | 1500pcs per reel |

- TID No. 4626



Recommended PCB Layout



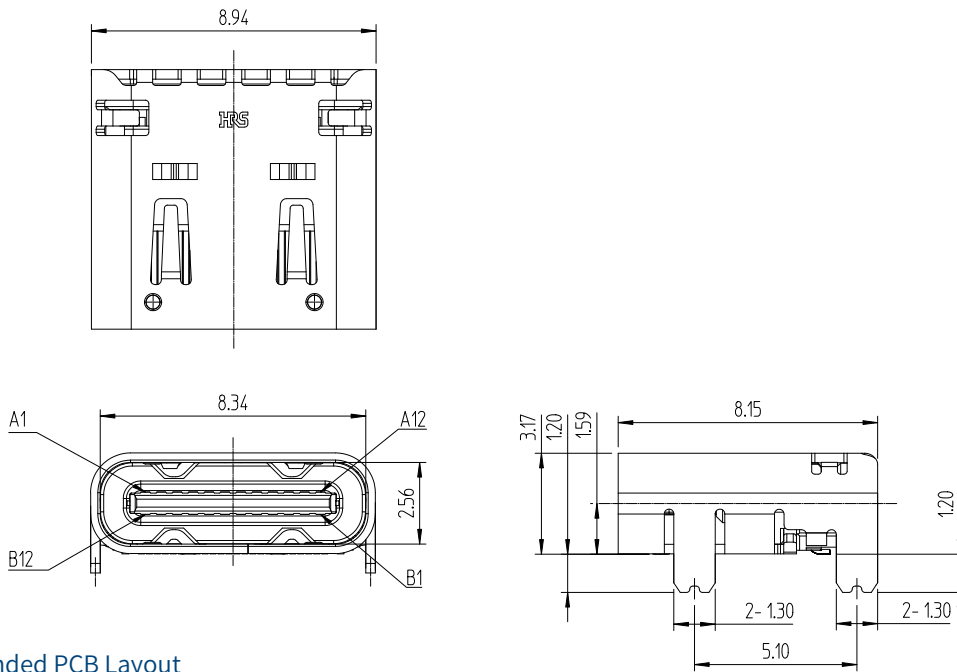
Top-Mount, Right Angle (SMT Double-row), 24pos., Supports 20Gbps & 5A, Shell Through-Hole Height: 1.2mm, Shell Spring Design



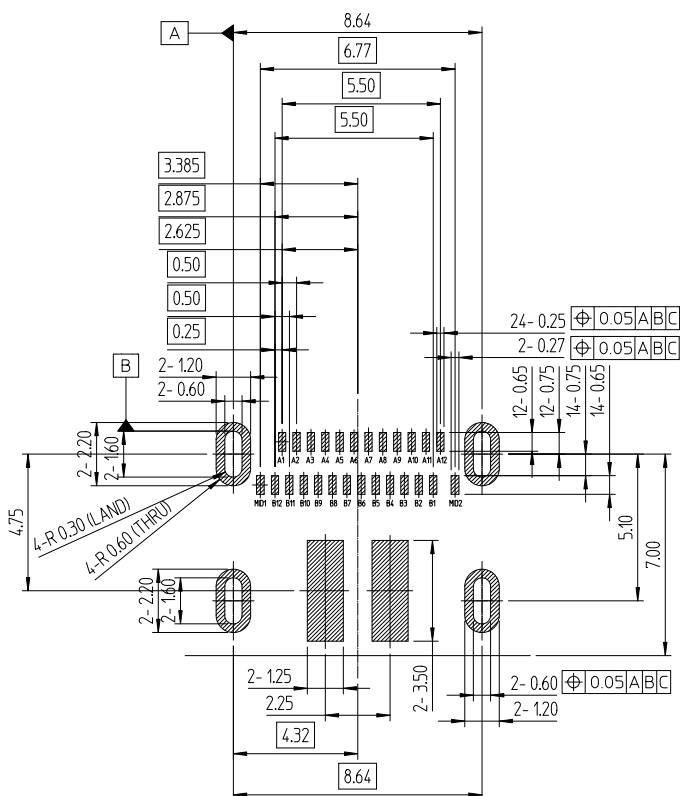
Unit : mm

| Part No. | HRS No. | Purchase Unit |
|------------|-------------------|------------------|
| CX90B2-24P | CL 0480-0889-0-00 | 1500pcs per reel |

- TID No. 7365



Recommended PCB Layout

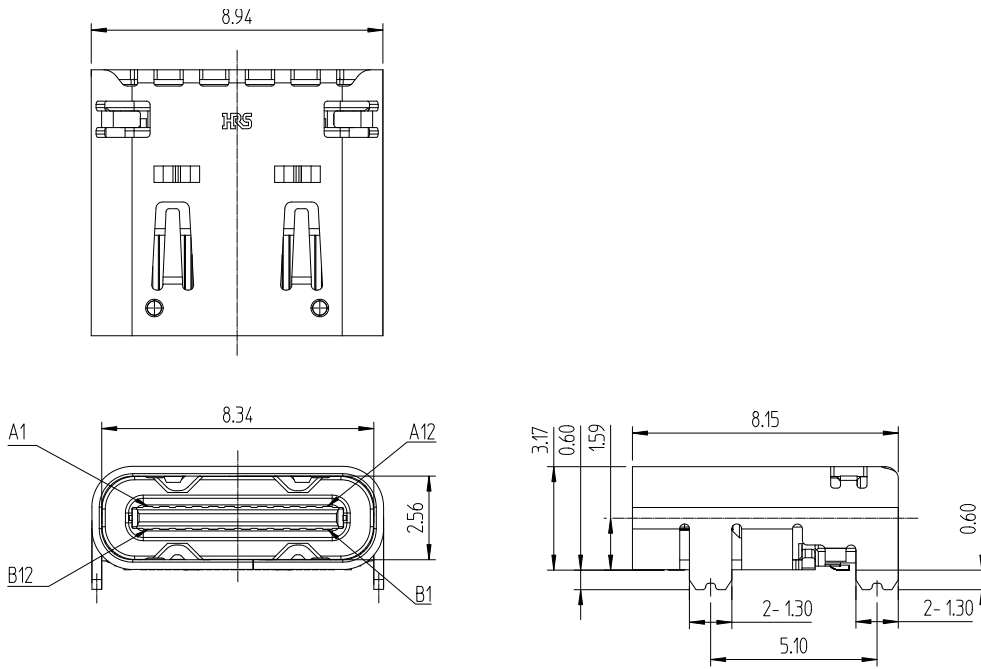


Top-Mount, Right Angle (SMT Double-row), 24pos., Supports 20Gbps & 5A, Shell Through-Hole Height: 0.6mm, Shell Spring Design

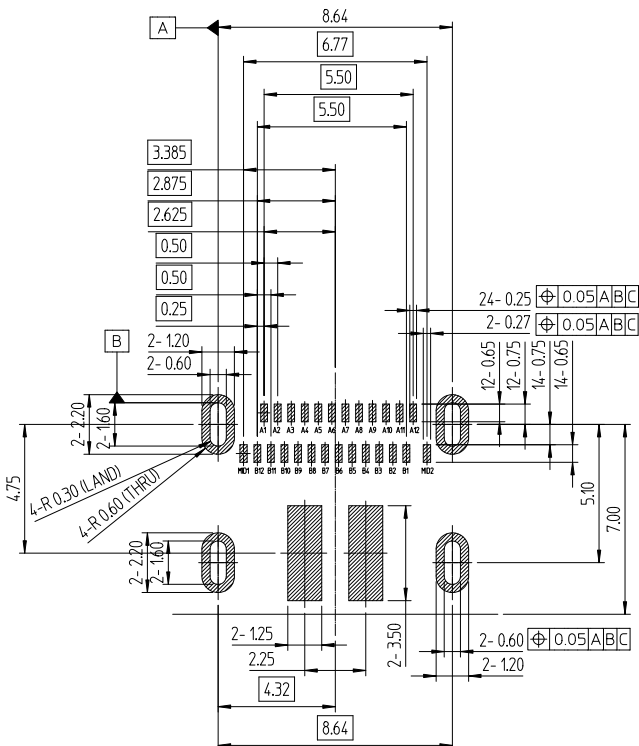


Unit : mm

| Part No. | HRS No. | Purchase Unit |
|-------------|-------------------|------------------|
| CX90B2-24P1 | CL 0480-1058-0-00 | 1500pcs per reel |



Recommended PCB Layout

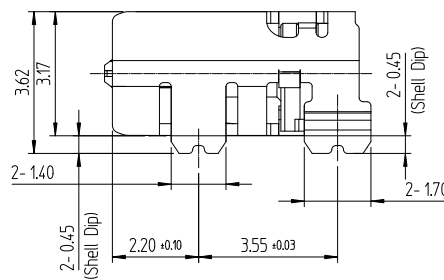
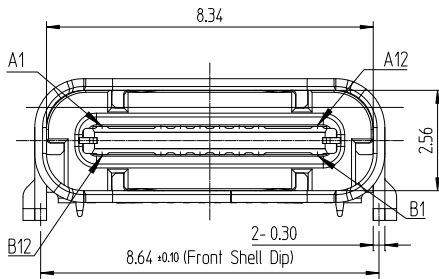
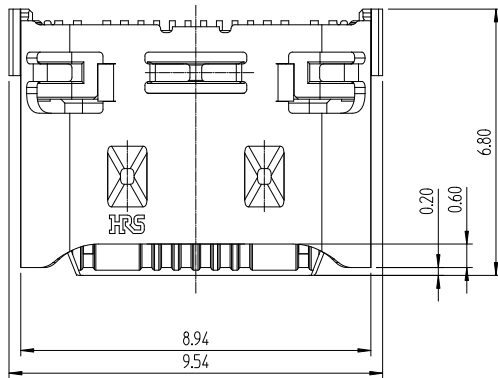


Top-Mount, Right Angle (SMT Single-row), 16pos., Supports 480Mbps & 5A , Round Shell Type

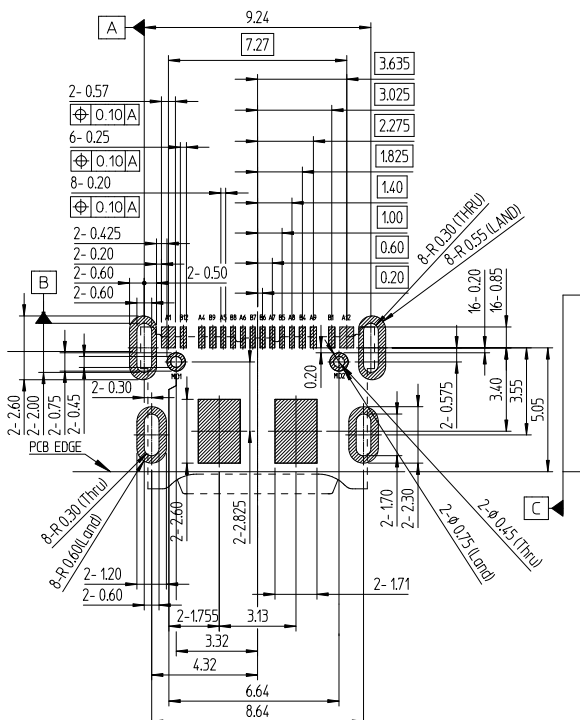


Unit : mm

| Part No. | HRS No. | Purchase Unit |
|-----------|-------------------|------------------|
| CX90B-16P | CL 0480-0755-0-00 | 1500pcs per reel |



Recommended PCB Layout



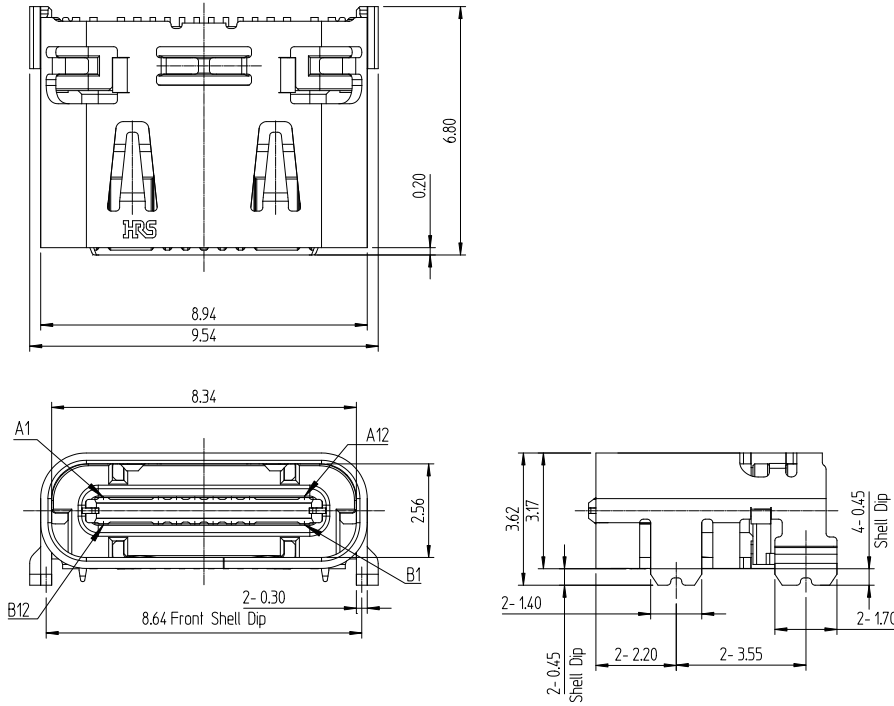
Top-Mount, Right Angle (SMT Single-row), 16pos., Supports 480Mbps & 5A, Shell Spring Design, Flat Shell Type



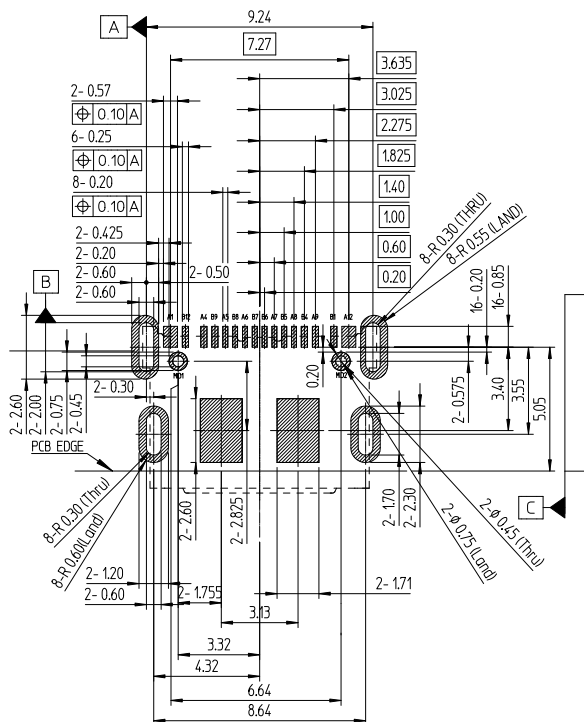
Unit : mm

| Part No. | HRS No. | Purchase Unit |
|------------|-------------------|------------------|
| CX90B-16P1 | CL 0480-0986-0-00 | 1500pcs per reel |

- TID No. 9312



Recommended PCB Layout



Plug

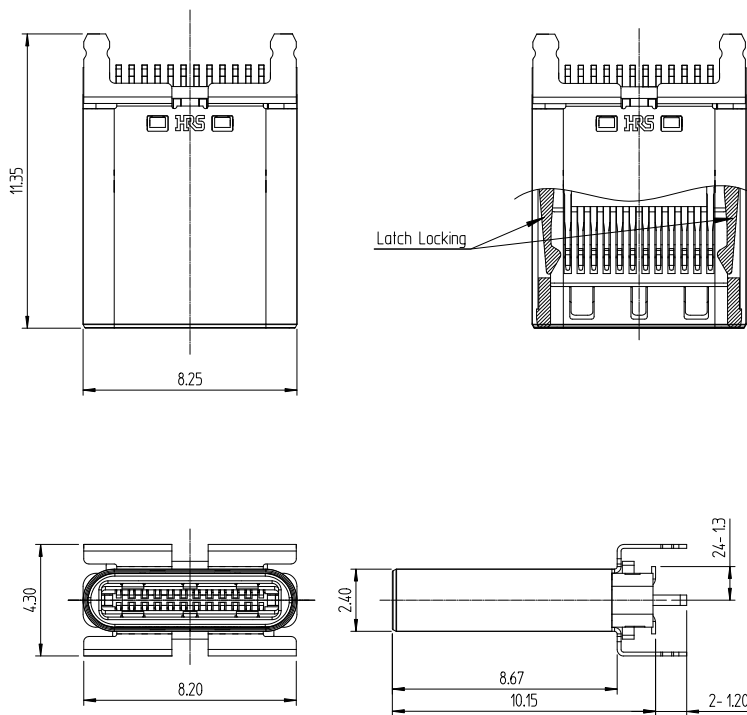
Top-Mount, Vertical (SMT), 24pos., Supports 20Gbps & 5A, With Lock Latch



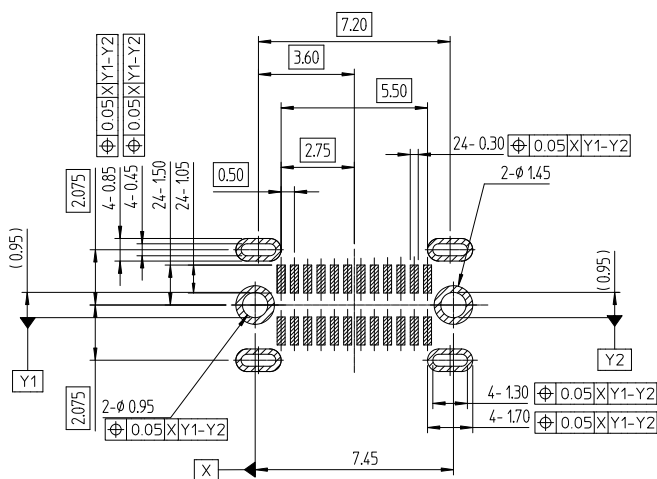
Unit : mm

| Part No. | HRS No. | Remarks | Purchase Unit |
|-----------|-------------------|-----------------|-----------------|
| CX81B-24S | CL 0480-1044-0-00 | With Lock Latch | 400pcs per reel |

- PCB Mounting Type
- The CX81B-24S and CX81B-24S1 have the same dimensions except with or without a lock latch.



Recommended PCB Layout



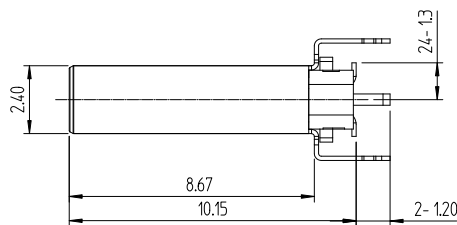
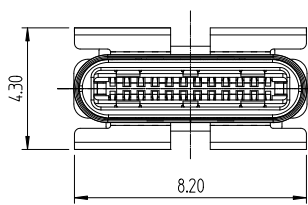
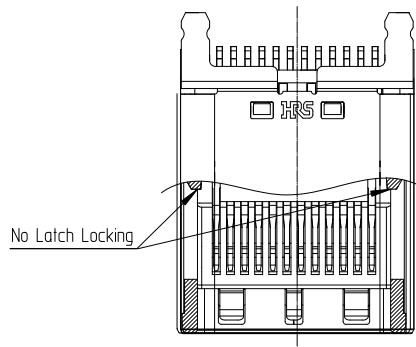
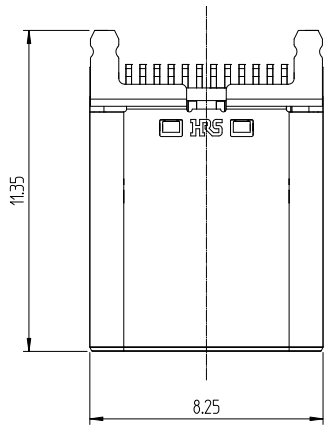
Top-Mount, Vertical (SMT), 24pos., Supports 20Gbps & 5A, Without Lock Latch



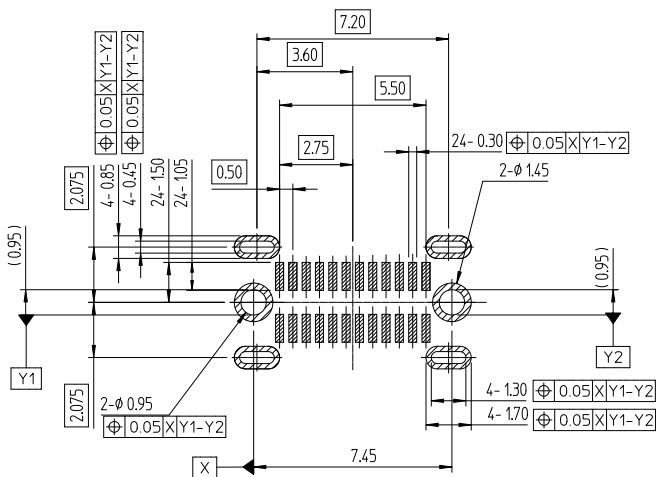
Unit : mm

| Part No. | HRS No. | Remarks | Purchase Unit |
|------------|-------------------|--------------------|-----------------|
| CX81B-24S1 | CL 0480-1110-0-00 | Without Lock Latch | 400pcs per reel |

- PCB Mounting Type
- The CX81B-24S and CX81B-24S1 have the same dimensions except with or without a lock latch.



Recommended PCB Layout



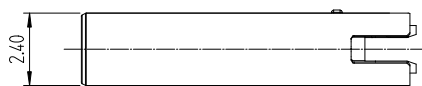
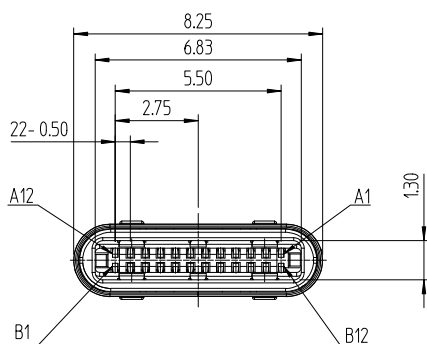
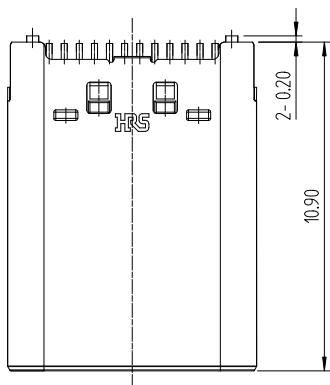
Plug Unit, Paddle Card (SMT Double-row), 24pos., Supports 20Gbps & 5A



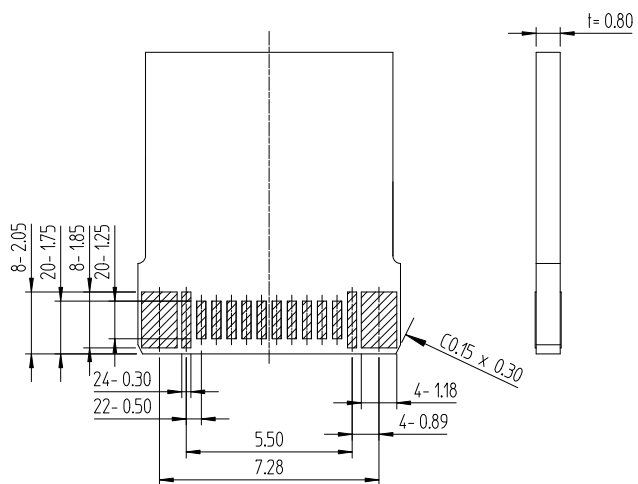
Unit : mm

| Part No. | HRS No. | Purchase Unit |
|---------------|-------------------|-----------------|
| CX60-24S-UNIT | CL 0480-0465-0-00 | 150pcs per tray |

- TID No. 5,200,000,291
- PCB Wire Soldering Type



Recommended PCB Layout



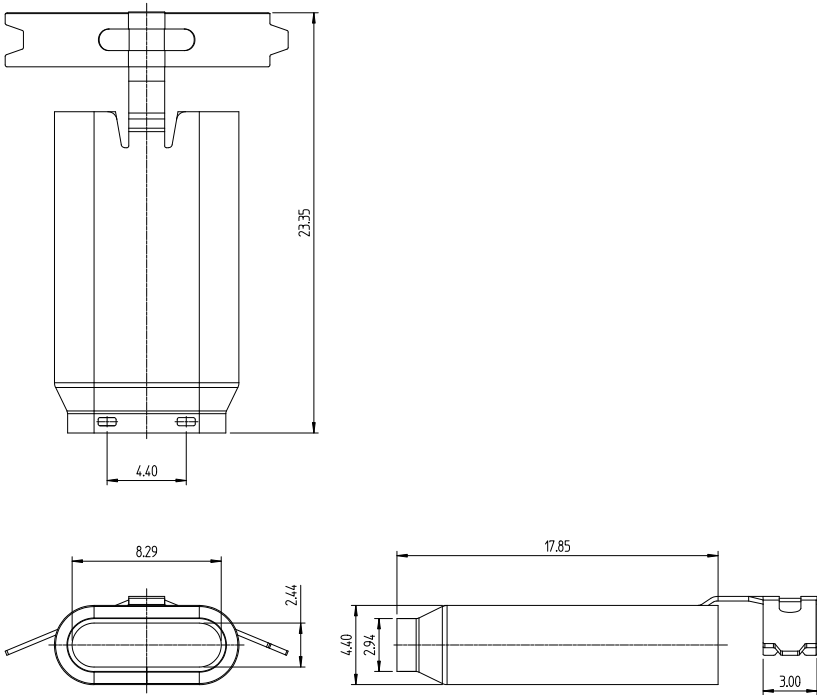
Plug Shell



Unit : mm

| Part No. | HRS No. | Purchase Unit |
|-----------|-------------------|------------------|
| CX60-SLDA | CL 0480-0522-0-00 | 3000pcs per reel |

- Cable Diameter : $\phi 4.8$



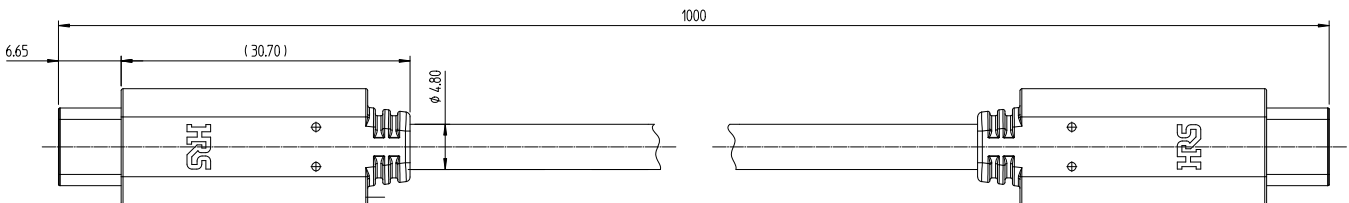
Cable Assembly, Slim Type, Cable Length 1m, 24pos., Supports 20Gbps & 5A



Unit : mm

| Part No. | HRS No. | Purchase Unit |
|------------------|-------------------|---------------|
| CX60-24S-1000-C1 | CL 0480-0823-0-00 | 1pc per bag |

- TID No. 5648

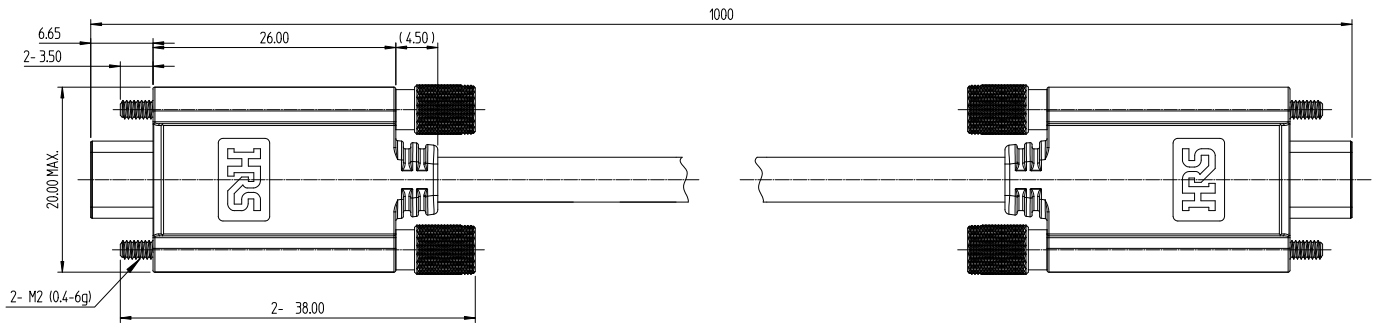


Cable Assembly, Screw Locking Type [Dual Screw], Cable Length 1m, 24pos., Supports 20Gbps & 5A



Unit : mm

| Part No. | HRS No. | Purchase Unit |
|------------------|-------------------|---------------|
| CX60-24S-1000-CD | CL 0480-0777-0-00 | 1pc per bag |

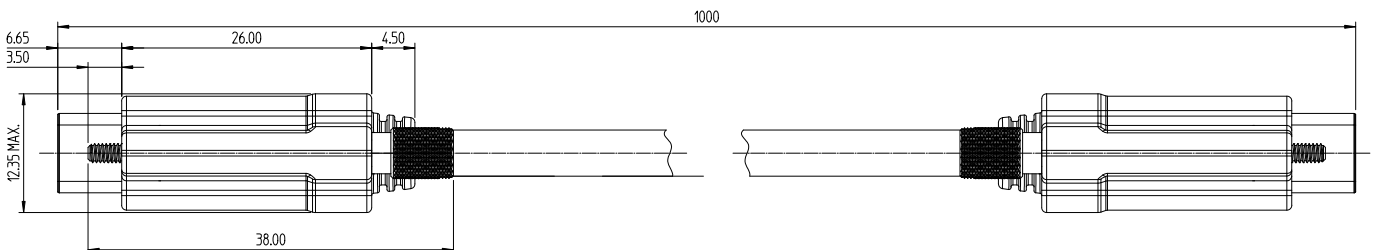


Cable Assembly, Screw Locking Type [Single Screw], Cable Length 1m, 24pos., Supports 20Gbps & 5A



Unit : mm

| Part No. | HRS No. | Purchase Unit |
|------------------|-------------------|---------------|
| CX60-24S-1000-CS | CL 0480-0778-0-00 | 1pc per bag |



*Screw locking type products comply with the "Universal Serial Bus Type-C Locking Connector Specification Revision 1.0". Please refer to the standard for details.
https://www.usb.org/sites/default/files/documents/usb_type-c_locking_connector_specification_rev_1_0_20160309_0.pdf

Usage Precautions

1. Please handle connectors with care. Excessive external force may damage the connectors.
2. To extract the plug, hold the plug body itself and remove straight from the receptacle.
Do not pull on the cable to extract the plug as this may damage the connector.
3. Due to the assembly process there may be some abrasions on the surface of the receptacle or plug.
This does not have a negative impact on the performance of the product.
4. Since the surface of the receptacle is plated, the appearance may differ from lot to lot but this does not affect the product performance.

While Taking into Consideration

Specifications mentioned in this catalog are reference values.

When considering to order or use this product, please review the Drawing and Product Specifications sheets.

Use an appropriate cable when using the connector in combination with cables.

If considering usage of a non-specified cable, please contact your sales representative.

If assembly process is done by jigs & tools which are not identified by Hirose, the warranty of the product may be affected.

If considering usage for below mentioned applications, please contact your sales representative.

In cases where the application will demand a high level of reliability, such as automotive, medical instruments, public infrastructure, aerospace/defense etc. Hirose must review before assurance of reliability can be given.

HIROSE