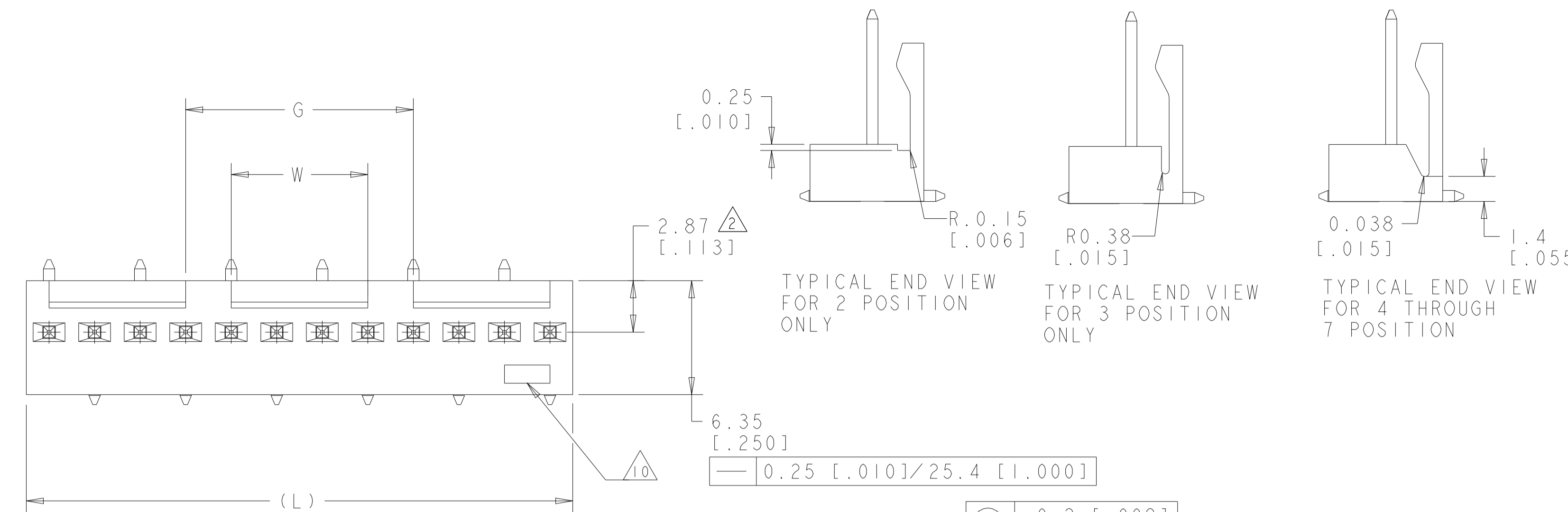
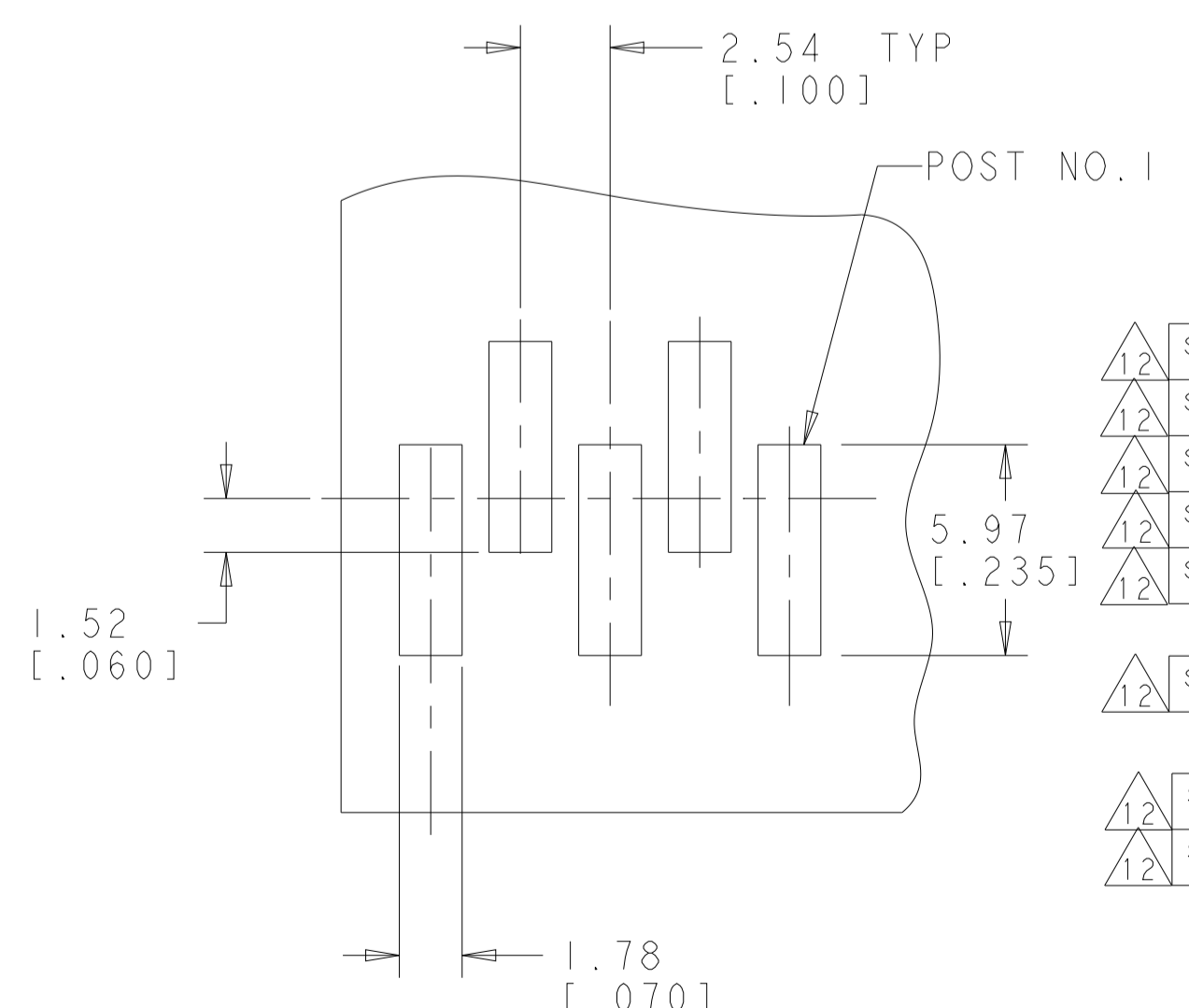
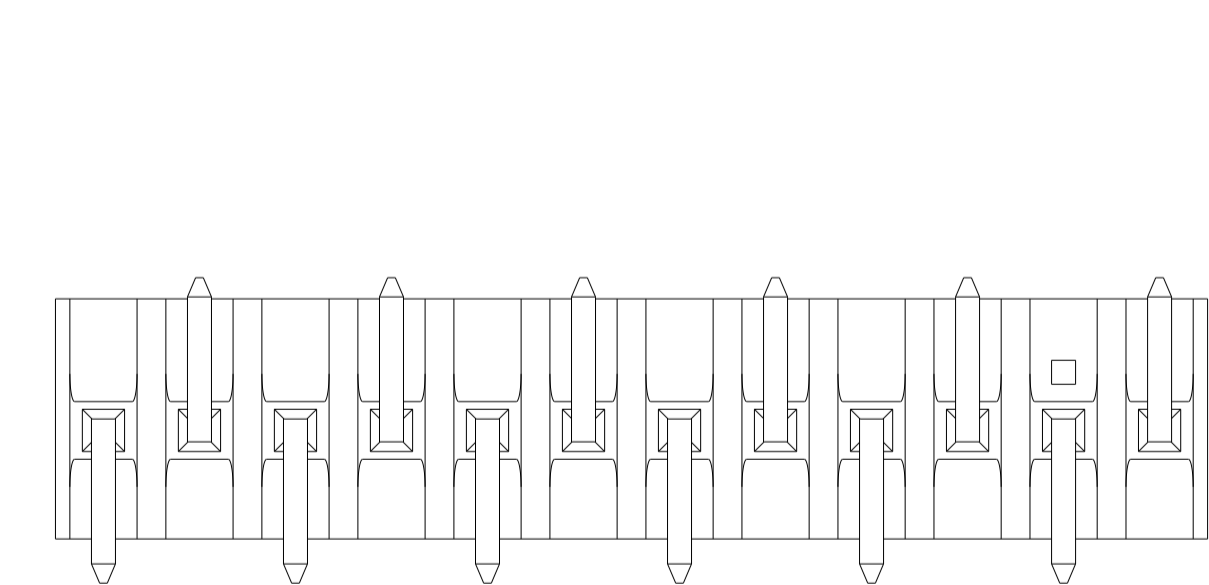
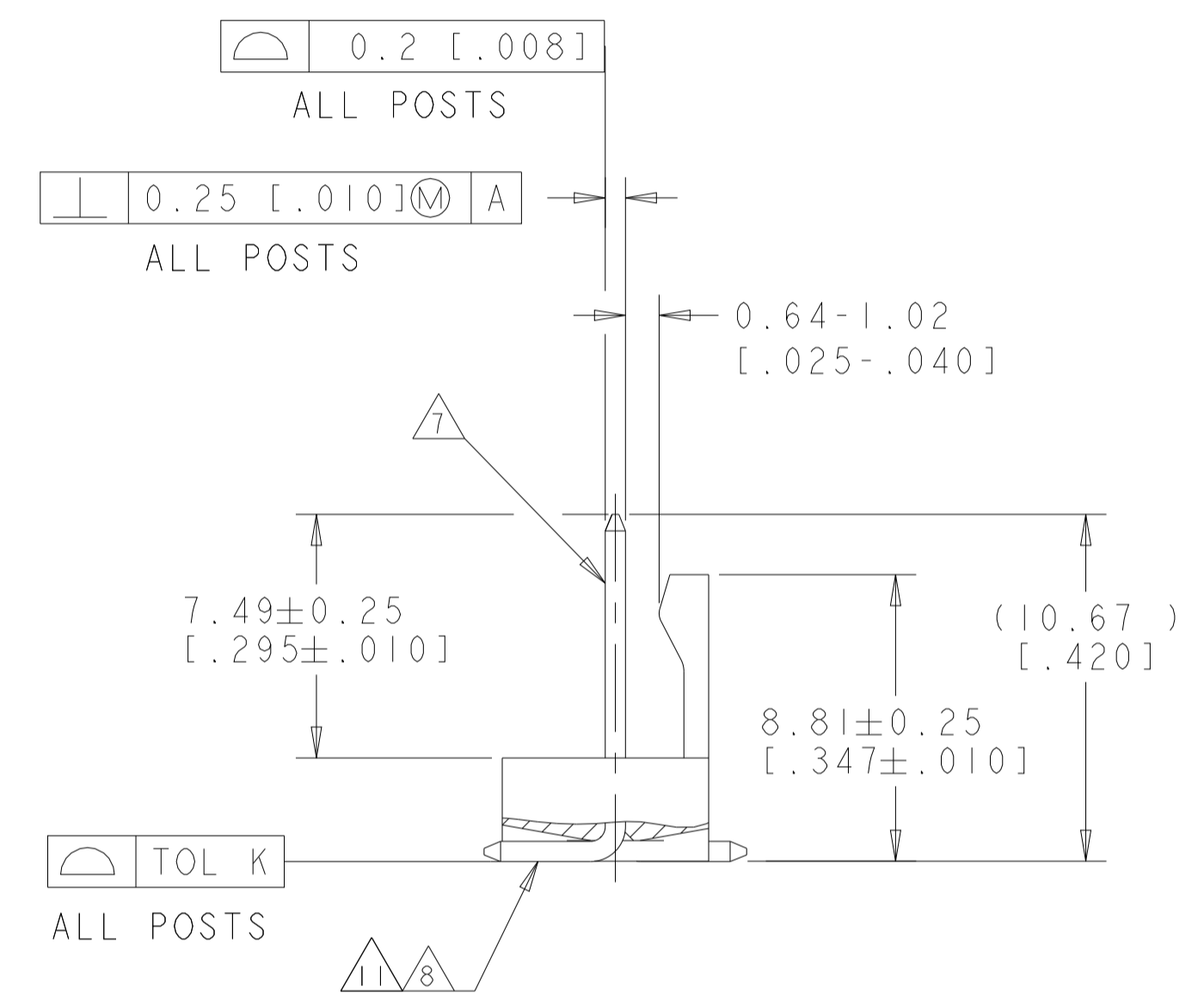
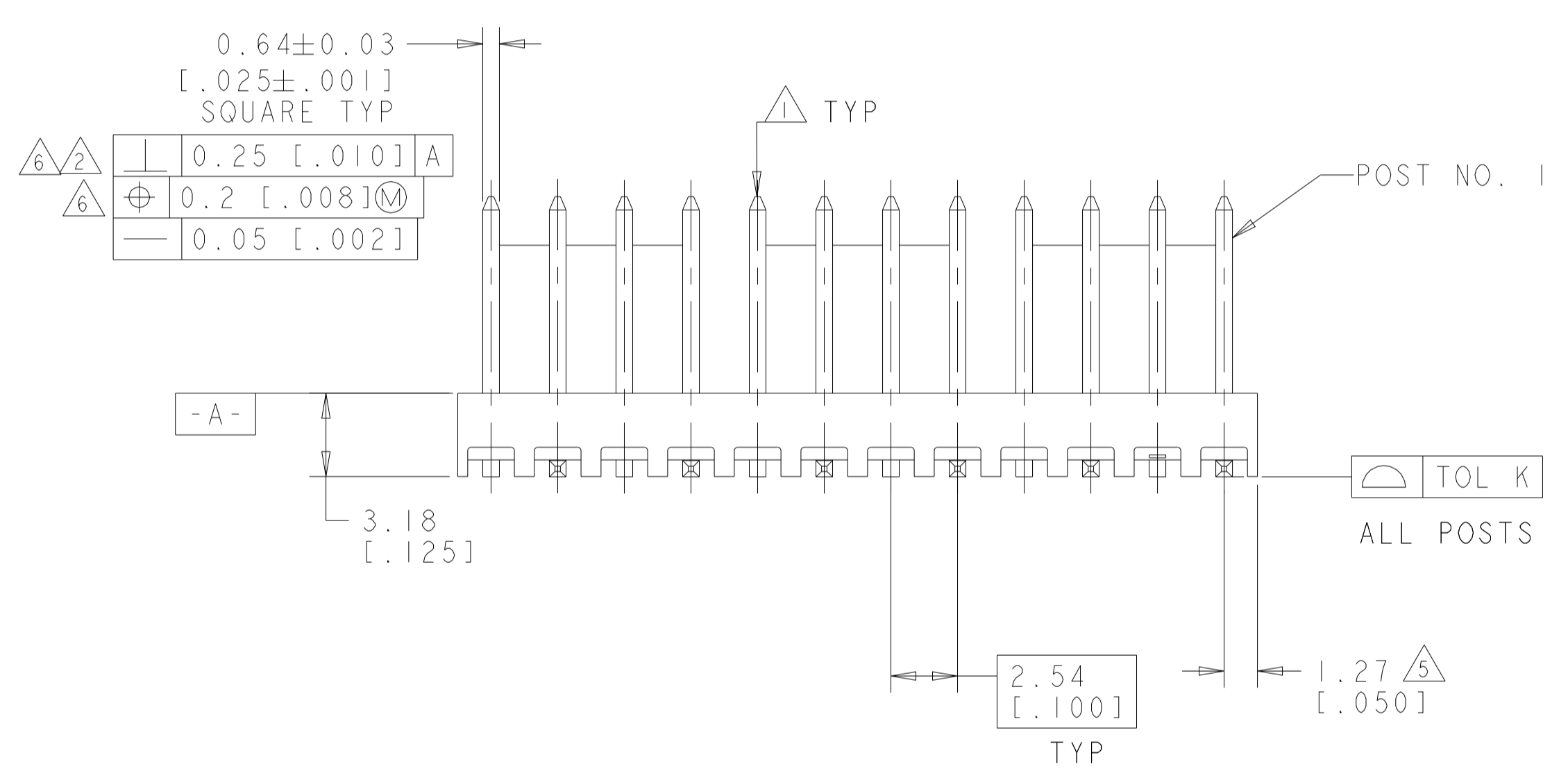


LOC		DIST		REVISIONS			
P	LTN	DESCRIPTION	DATE	DWN	APVD		
R2		REVISED PER ECR-18-004355	18JUN2018	BDA	SG		
S		REVISED PER ECR-19-015071	16OCT2019	BDA	SW		
T		REVISED PER ECR-25-253035	12NOV2025	CKN	JP		



- △ POST WITHSTAND 13 NEWTONS (3 LBS) MIN AXIAL FORCE IN DIRECTION SHOWN WITHOUT DISLODGING.
- △ MEASURED AT -A-.
- 3. PARTS COMPLY WITH SOLDERABILITY SPEC 109-11-2.
- △ MATERIAL:  
HOUSING: NYLON, 4/6, HIGH TEMP, BLACK.  
POST - COPPER ALLOY (SEE TABLE FOR PLATING).
- △ COORDINATE DIMENSION APPLIES FROM CENTER OF ACTUAL FEATURE.
- △ POSTS TO BE MEASURED WHEN STRIP HELD FLAT.
- △ PLATING: GOLD PLATE AREA, 0.00038 [.000015] GOLD OR 0.00008 [.000003] MIN GOLD FLASH OVER 0.00030 [.000012] PALLADIUM NICKEL, ONLY IN FUNCTIONAL CONTACT AREA AND OTHER AREAS WITH OPTIMIZED THICKNESS PER TE CONNECTIVITY'S DISCRETION, ALL SIDES, OVER NICKEL UNDERPLATE, 0.00127 [.000050] MIN, ALL SIDES AND ENTIRE LENGTH OF POST.
- △ MATTE TIN PLATE AREA, 0.00381-0.00889 [.000150-.000350] THICK, ALL FOUR SIDES, 3.56 [.140] MIN.
- 9. DIMENSIONS IN BRACKETS ARE IN INCHES.
- △ TE LOGO, UL, AND CSA TRADEMARKS TO APPEAR ON THIS SURFACE.
- △ MATTE TIN PLATE AREA, 0.00381-0.00889 [.000150-.000350] THICK, ALL FOUR SIDES, 3.56 [.140] MIN.
- △ OBSOLETE PARTS: OBSOLETE CIS STREAMLINING PER D.RENAUD/D.SINIS!



- △ OBSOLETE
- △ SUP 4-647167-1
- △ SUP 4-647167-0
- △ SUP 3-647167-9
- △ SUP 3-647167-8
- △ SUP 3-647167-7
- △ OBSOLETE
- △ SUP 3-647167-5
- △ OBSOLETE
- △ SUP 3-647167-3
- △ SUP 3-647167-2

POST FINISH	TOL K	W	G	L	NO OF POSN	PART NO
△△	0.15 [.006]	7.62 [.300]	12.70 [.500]	30.48 [1.200]	12	4-647167-2
△△	0.15 [.006]	-	10.16 [.400]	27.94 [1.100]	11	4-647167-1
△△	0.15 [.006]	-	7.62 [.300]	25.40 [1.000]	10	4-647167-0
△△	0.15 [.006]	-	5.08 [.200]	22.86 [.900]	9	3-647167-9
△△	0.15 [.006]	-	2.54 [.100]	20.32 [.800]	8	3-647167-8
△△	0.15 [.006]	-	-	17.78 [.700]	7	3-647167-7
△△	0.15 [.006]	-	-	15.24 [.600]	6	3-647167-6
△△	0.15 [.006]	-	-	12.70 [.500]	5	3-647167-5
△△	0.15 [.006]	-	-	10.16 [.400]	4	3-647167-4
△△	0.15 [.006]	-	-	7.62 [.300]	3	3-647167-3
△△	0.15 [.006]	-	-	5.08 [.200]	2	3-647167-2
△△	0.15 [.006]	7.62 [.300]	12.70 [.500]	30.48 [1.200]	12	4-647167-2
△△	0.15 [.006]	-	10.16 [.400]	27.94 [1.100]	11	4-647167-1
△△	0.15 [.006]	-	7.62 [.300]	25.40 [1.000]	10	4-647167-0
△△	0.15 [.006]	-	5.08 [.200]	22.86 [.900]	9	647167-9
△△	0.15 [.006]	-	2.54 [.100]	20.32 [.800]	8	647167-8
△△	0.15 [.006]	-	-	17.78 [.700]	7	647167-7
△△	0.15 [.006]	-	-	15.24 [.600]	6	647167-6
△△	0.15 [.006]	-	-	12.70 [.500]	5	647167-5
△△	0.15 [.006]	-	-	10.16 [.400]	4	647167-4
△△	0.15 [.006]	-	-	7.62 [.300]	3	647167-3
△△	0.15 [.006]	-	-	5.08 [.200]	2	647167-2

RECOMMENDED MOUNTING HOLE PATTERN FOR USE WITH 0.25 [.010] THICK STENCIL

THIS DRAWING IS A CONTROLLED DOCUMENT.

DIMENSIONS: mm [INCHES]

TOLERANCES UNLESS OTHERWISE SPECIFIED:

0 PLC ±  
1 PLC ±.01 [.001]  
2 PLC ±.01 [.001]  
3 PLC ±.01 [.001]  
4 PLC ±.01 [.001]  
ANGLES ±30°

MATERIAL: △

FINISH: △

APPROVED: D. BOSSI

DATE: 14-NOV-2001

PRODUCT SPEC

APPLICATION SPEC

WEIGHT

CUSTOMER DRAWING

DWN: R. WHITAKER  
CHK: D. BOSSI  
DATE: 14-NOV-2001

NAME: MTA-100 HEADER ASSEMBLY, SURFACE MOUNT, FRICTION LOCK, .025 SQUARE STRAIGHT POST, .000015 GOLD

SIZE: A1  
CAGE CODE: 100779  
DRAWING NO: 647167

RESTRICTED TO

SCALE: 5:1

SHEET 1 OF 1

REV T

TE Connectivity