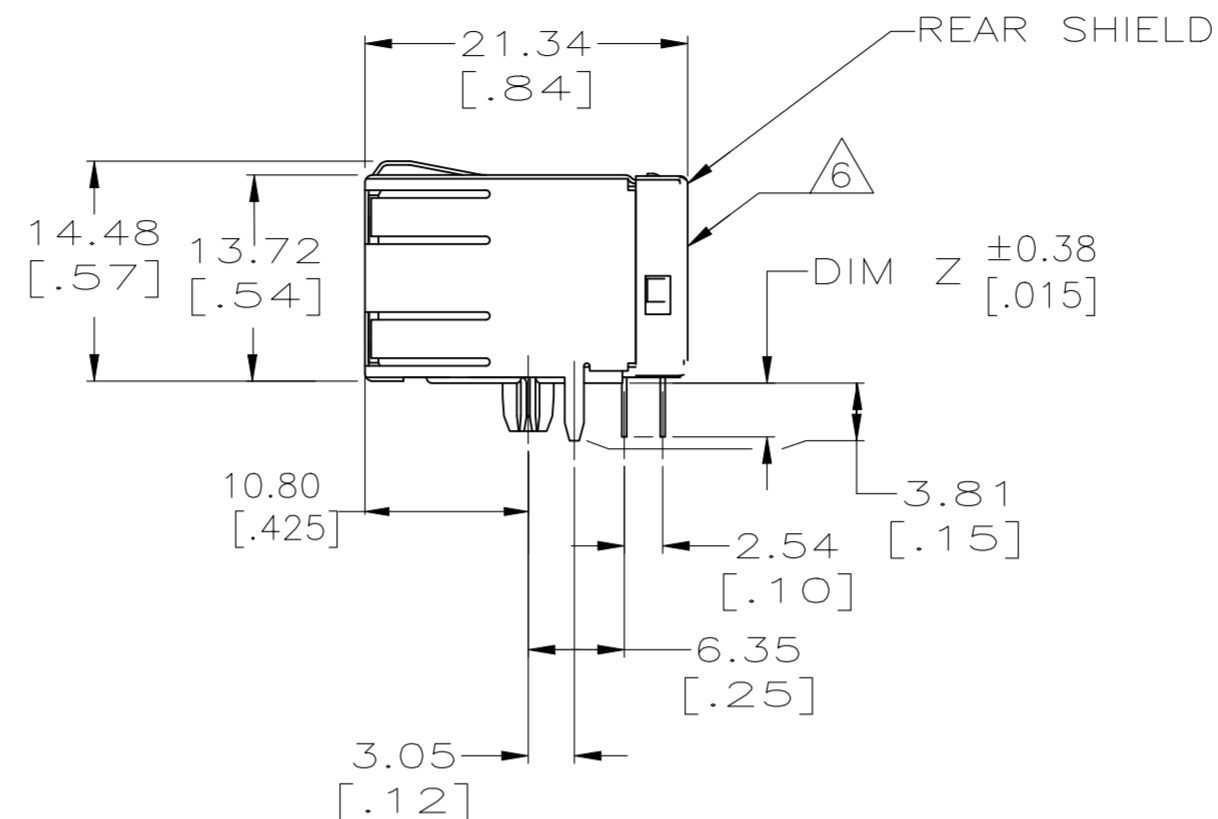
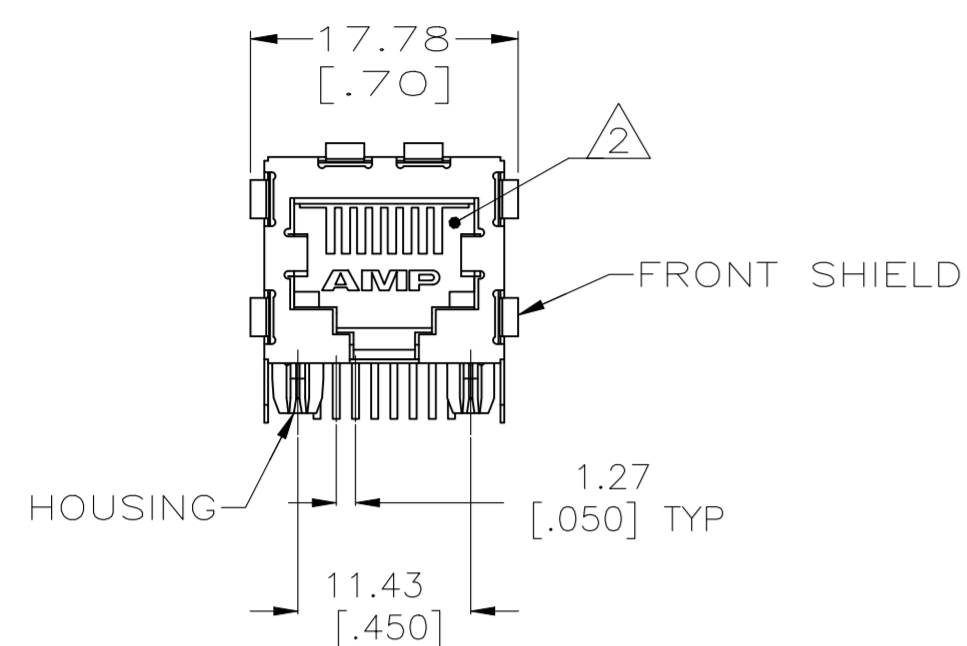


REVISIONS					
P	LTR	DESCRIPTION	DATE	DWN	APVD
D2		REVISED AS PER ECN-26-386563	02JUN2026	KSD	RK



- MATERIAL: HOUSING - NYLON, COLOR: BLACK, UL 94V-0. OVERMOLDED TERMINAL ARRAY - PBT, COLOR: BROWN. TERMINALS - 0.33 [.013] THICK PHOS BRONZE PLATED WITH 1.27 μm [.000050] MINIMUM THICK HARD GOLD IN LOCALIZED AREA AND 3.81 μm [.000150] MINIMUM THICK MATTE TIN IN SOLDER AREA OVER 1.27 μm [.000050] MINIMUM THICK NICKEL UNDERPLATE. SHIELDS - 0.25 [.010] THICK COPPER ALLOY PLATED WITH 1.27 μm [.000050] MINIMUM NICKEL AND 2.03 μm [.000080] MINIMUM HOT TIN DIP ON PCB GROUND TABS.

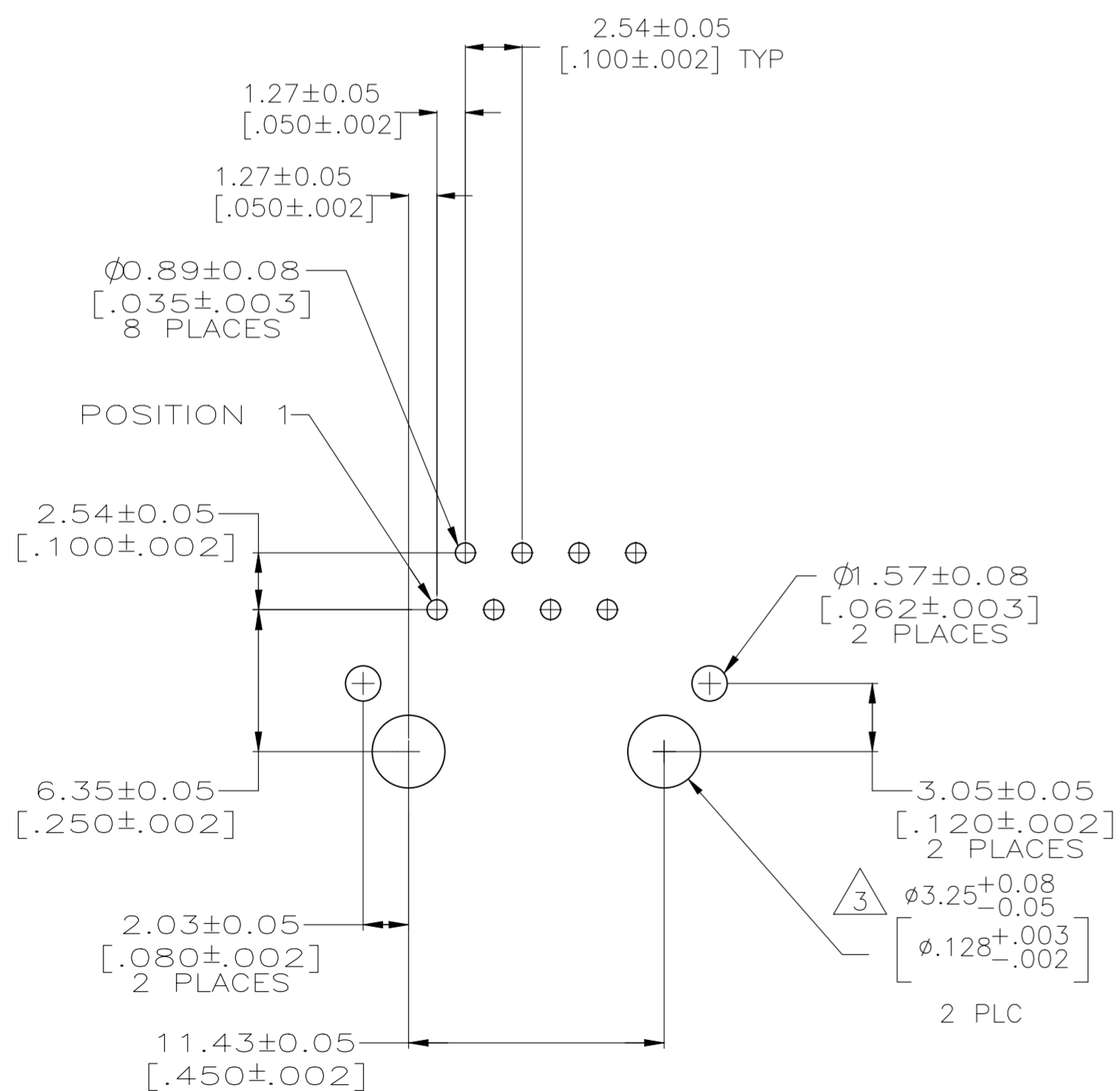
⚠ JACK CAVITY CONFORMS TO FCC RULES AND REGULATIONS, PART 68 SUBPART F.

⚠ USE #30 DRILL BIT OR 3.25mm DRILL BIT WHEN PRODUCING THESE PCB HOLES.

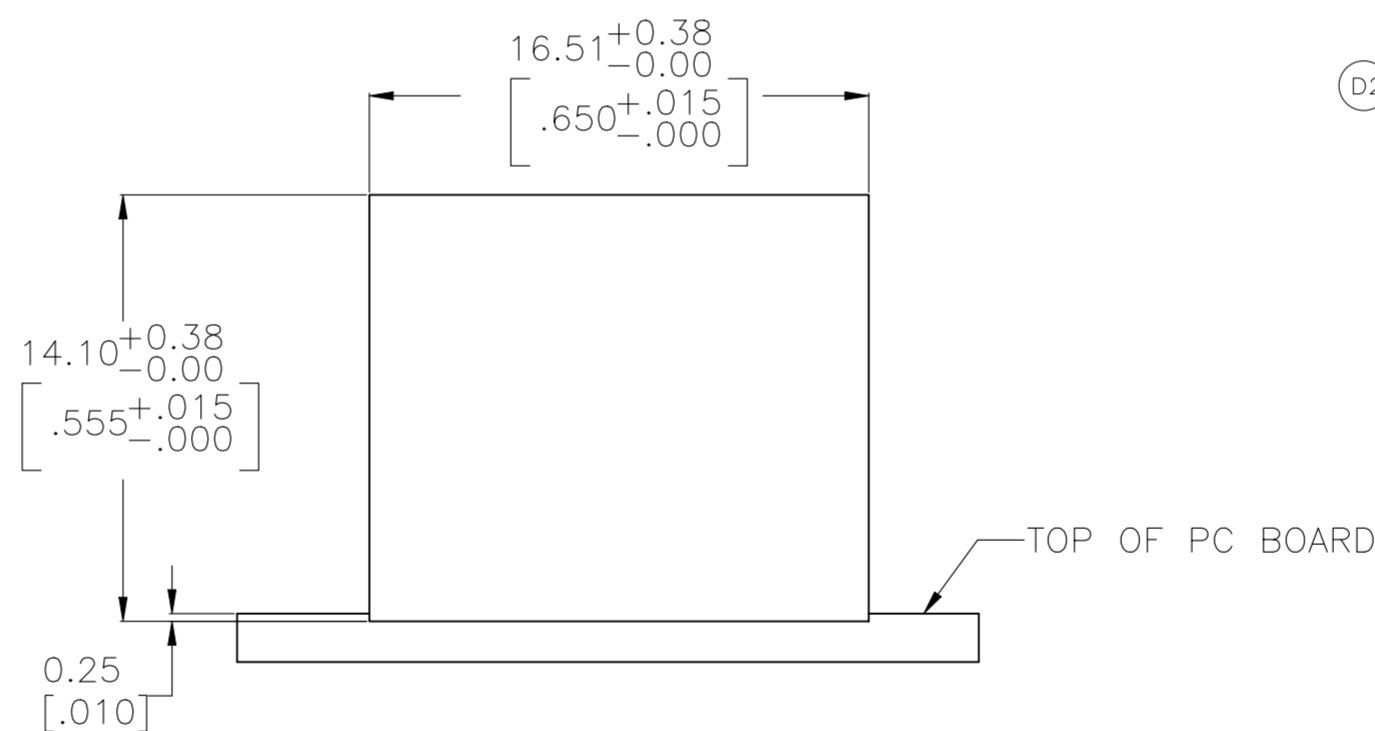
4. DIELECTRIC WITHSTANDING VOLTAGE BETWEEN SHIELD AND TERMINAL IS 1500 VAC

⚠ PACKAGE: TAPE & REEL.

Ⓛ ⚠ 5 DIGIT LASER MARKED DATE CODE LOCATED ON REAR SIDE OF PART. FIRST 2 DIGITS ARE LAST DIGITS OF YEAR, SECOND 2 DIGITS ARE MANUFACTURING WORK WEEK, LAST DIGIT IS DAY OF WEEK, WITH SUNDAY=1.



RECOMMENDED PC BOARD LAYOUT  
COMPONENT SIDE  
SCALE 4:1



RECOMMENDED PANEL CUTOUT  
SCALE 4:1

3.56 [.140]	⚠ 5406299-2
3.05 [.120]	⚠ 1-5406299-1
3.56 [.140]	5406299-1
DIM. Z	PART NUMBER

THIS DRAWING IS A CONTROLLED DOCUMENT.		DWN T. SPRINKLE/L.A.MAYER 20APR2005	TE Connectivity	
DIMENSIONS: mm		CHK J.WESTMAN 20APR2005	NAME	
TOLERANCES UNLESS OTHERWISE SPECIFIED:		APVD S.FLICKINGER 20APR2005	MODULAR JACK ASY, SINGLE PORT, 8 P, SHIELDED, REVERSE PANEL GROUND TABS, CAT 5e	
0 PLC ± -		PRODUCT SPEC	SIZE	RESTRICTED TO
1 PLC ± -		108-1163-2	CAGE CODE	
2 PLC ± 0.25[.01]		APPLICATION SPEC	DRAWING NO	
3 PLC ± 0.13[.005]		114-2048	SCALE	
4 PLC ± -		WEIGHT	A2 00779	
ANGLES ± -		FINISH	C=5406299	
MATERIAL SEE NOTE 1		SEE NOTE 1	SCALE	
			2:1	
			SHEET	
			1 of 1	
			REV	
			D2	