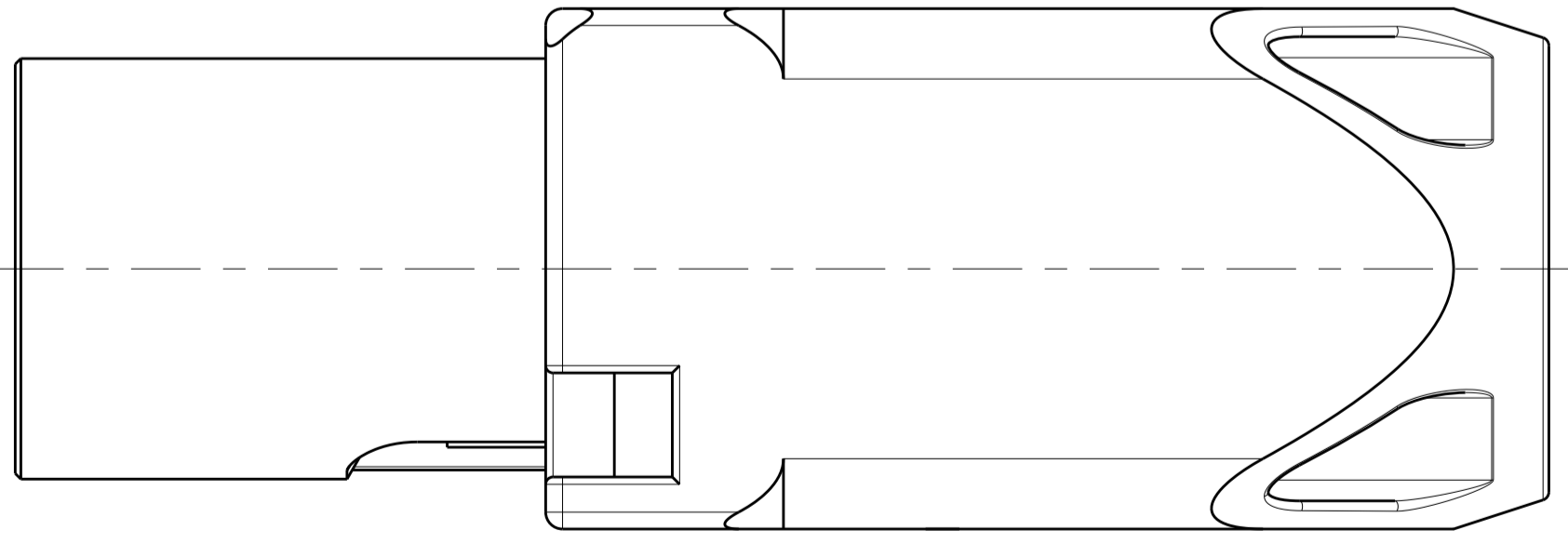
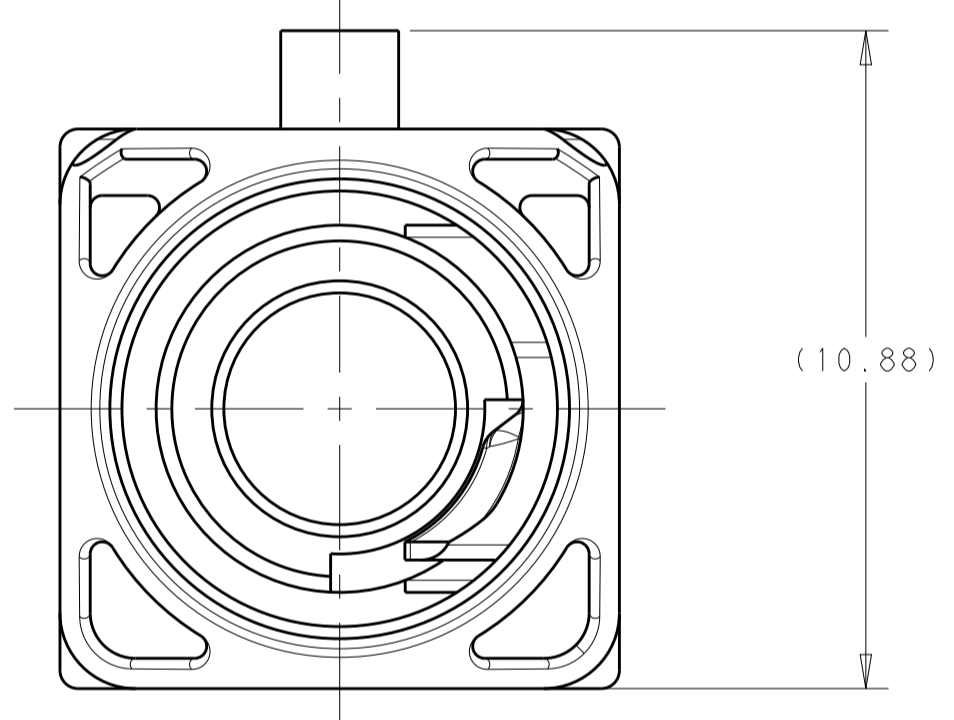
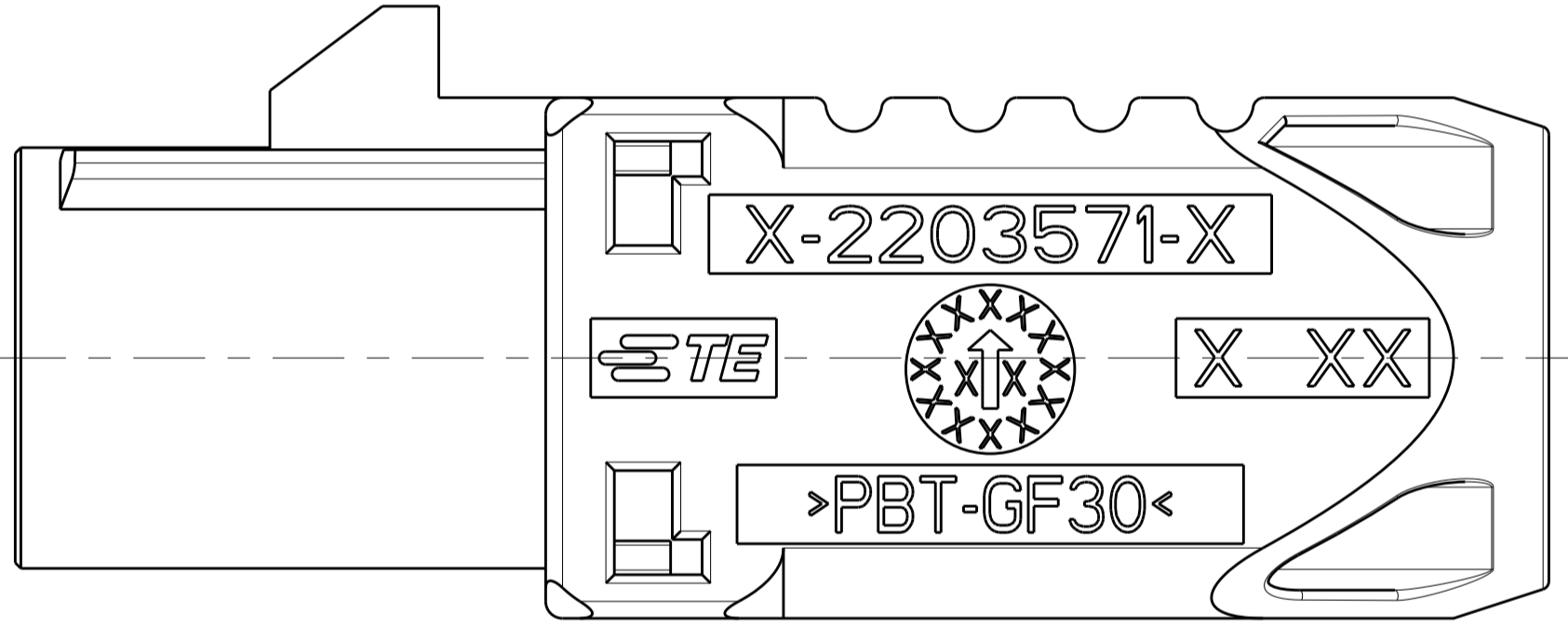
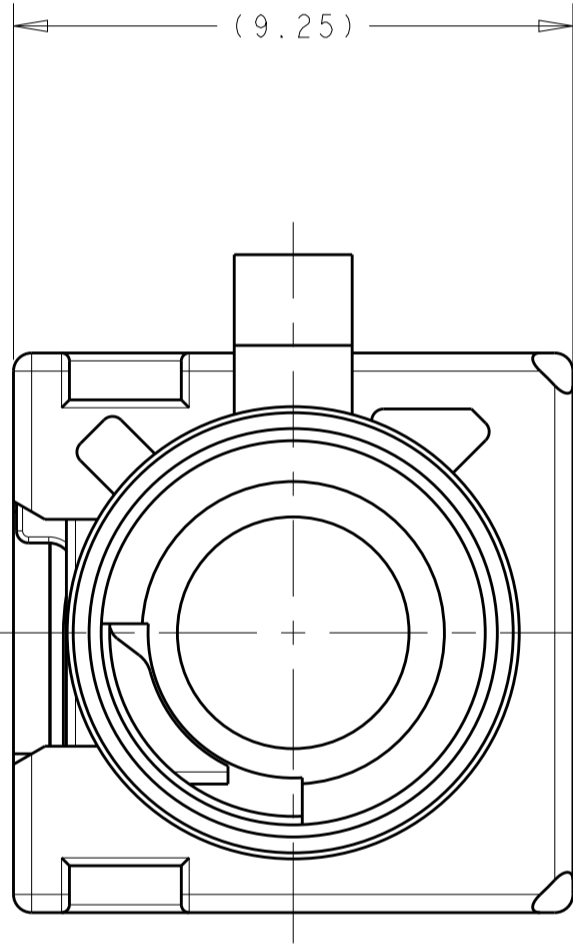
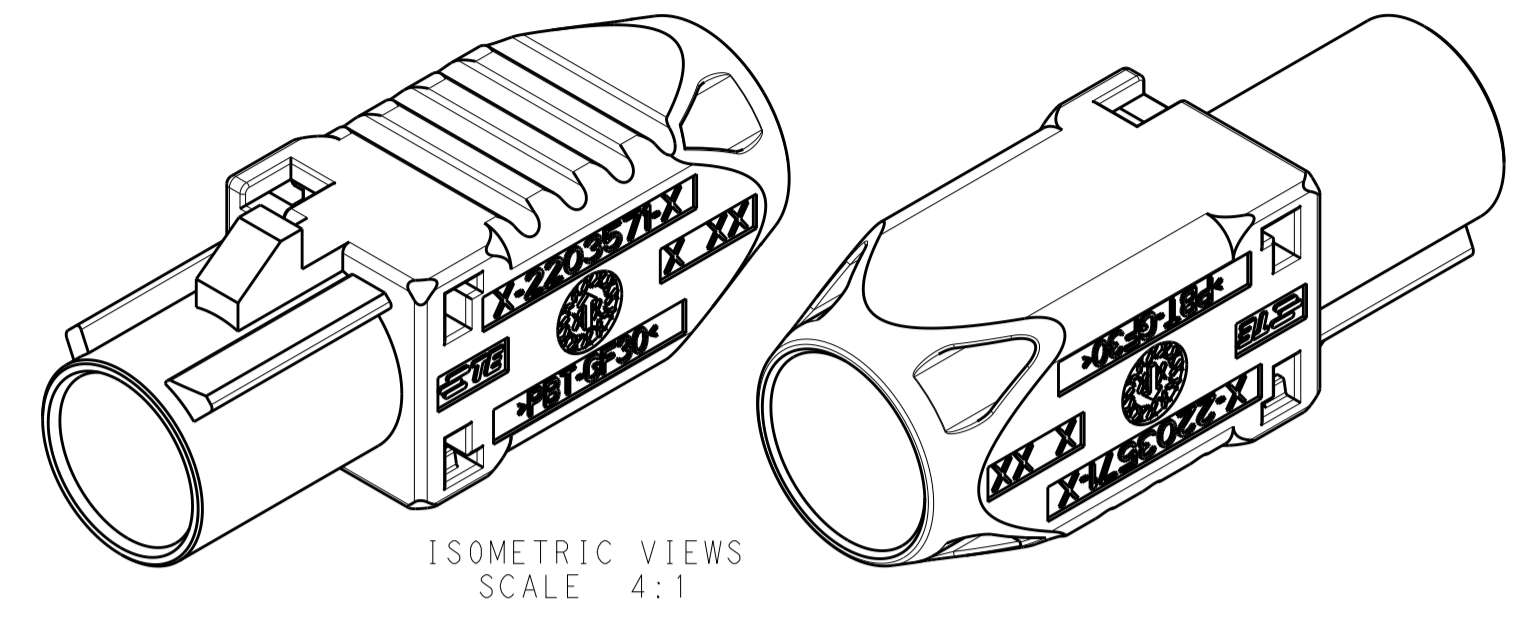
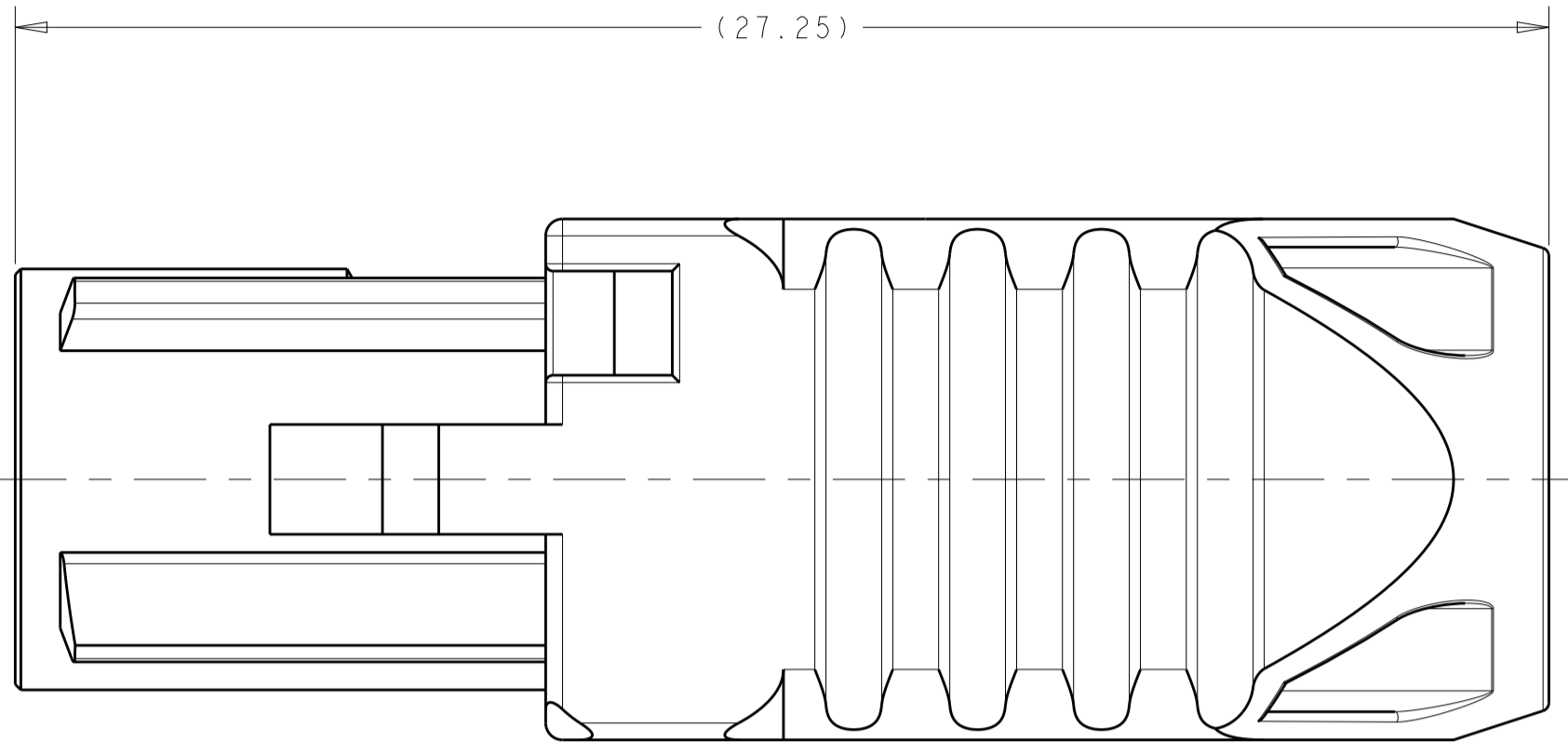


REVISIONS				
P. LTR	DESCRIPTION	DATE	DWN	APVD
1	INITIAL DRAWING.	07APR2017	JAB	ERL



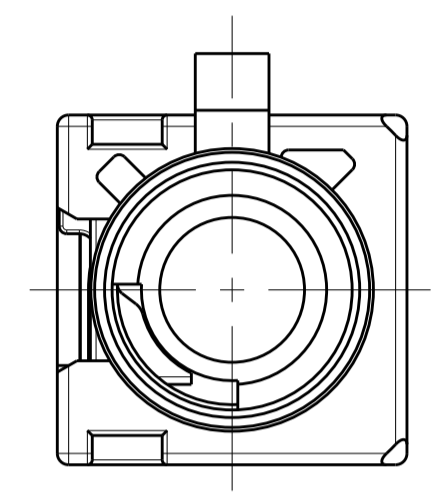
Z	PER DETAIL Z	WATER BLUE	2-2203571-0
N	PER DETAIL N	PASTEL GREEN	1-2203571-3
M	PER DETAIL M	PASTEL ORANGE	1-2203571-2
L	PER DETAIL L	CARMINE RED	1-2203571-1
K	PER DETAIL K	CURRY	1-2203571-0
I	PER DETAIL I	BEIGE	2203571-9
H	PER DETAIL H	HEATHER VIOLET	2203571-8
G	PER DETAIL G	BLUE GREY	2203571-7
F	PER DETAIL F	NUT BROWN	2203571-6
E	PER DETAIL E	LEAF GREEN	2203571-5
D	PER DETAIL D	CLARET VIOLET	2203571-4
C	PER DETAIL C	SIGNAL BLUE	2203571-3
B	PER DETAIL B	CREAM	2203571-2
A	PER DETAIL A	JET BLACK	2203571-1
KEY CODE	KEYING	CODING COLOR	PART NUMBER

- 1. 2203571-1 AS SHOWN.
- 2 MATERIAL, POLYESTER PBT, COLOR SEE TABLE.
- 3 MALE INTERFACE PER ISO-20860-1, ISO-20860-2, SAE/USCAR-17, SAE/USCAR-18.

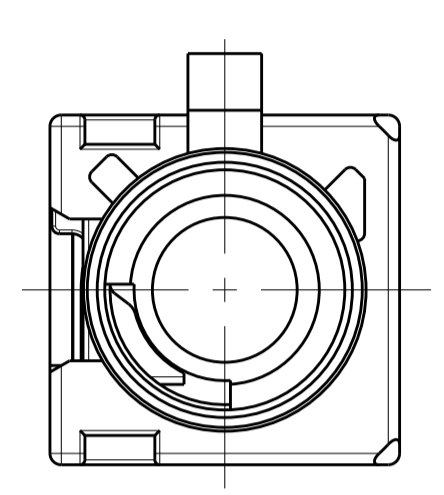
THIS DRAWING IS A CONTROLLED DOCUMENT.		DWN J.A.BAKER 07APR2017	TE Connectivity	
DIMENSIONS:		CHK E.R.LOVE 28JUL2017	NAME MALE HOUSING, 1 POSITION, FAKRA	
TOLERANCES UNLESS OTHERWISE SPECIFIED:		APVD E.R.LOVE 28JUL2017	PRODUCT SPEC -	
mm	0 PLC ±	108-32137	APPLICATION SPEC -	
	1 PLC ±	114-32145	SIZE A1	
	2 PLC ±		CAGE CODE -	
	3 PLC ±		DRAWING NO C=2203571	
	4 PLC ±		RESTRICTED TO -	
	ANGLES ±		SCALE 8:1	
MATERIAL	FINISH	WEIGHT	SHEET 1 OF 2	
2			REV A	
CUSTOMER DRAWING		SCALE 8:1 SHEET 1 OF 2 REV A		

THIS DRAWING IS UNPUBLISHED. RELEASED FOR PUBLICATION. COPYRIGHT copyright_e81e- ALL RIGHTS RESERVED.

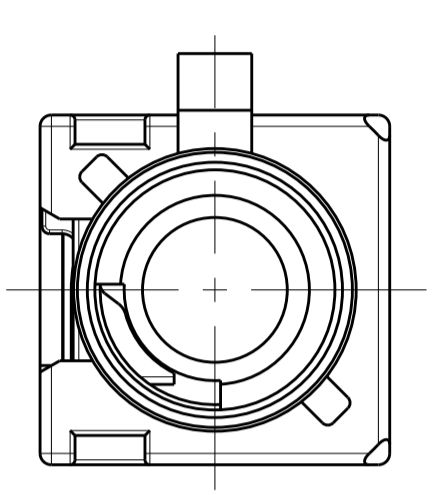
REVISIONS				
P.	LTN	DESCRIPTION	DATE	OWN APVD
-		SEE SHEET 1	-	-



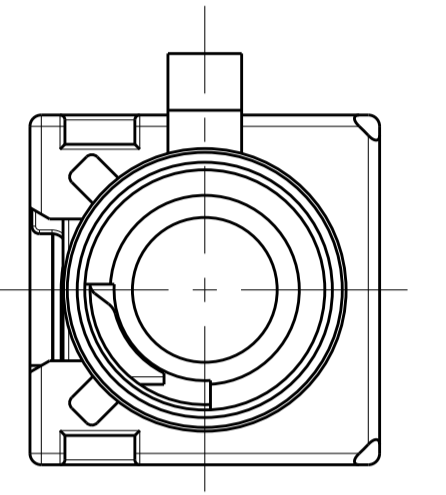
DETAIL A SCALE 5:1



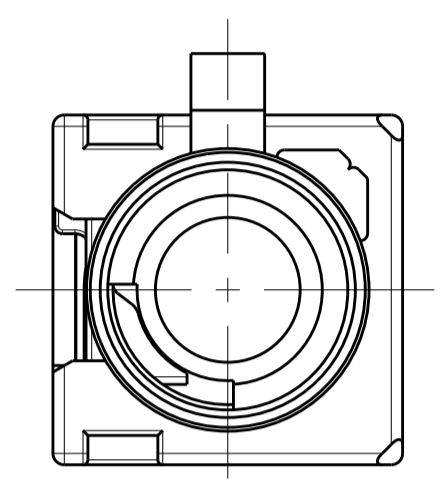
DETAIL B SCALE 5:1



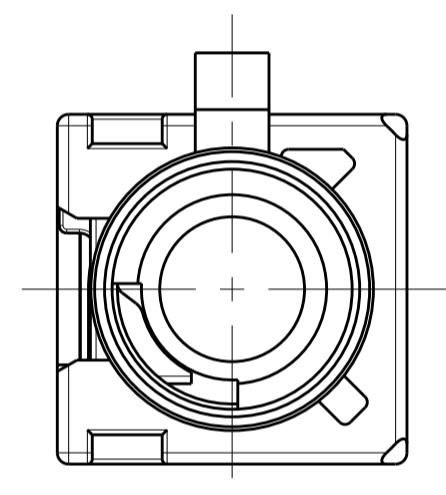
DETAIL C SCALE 5:1



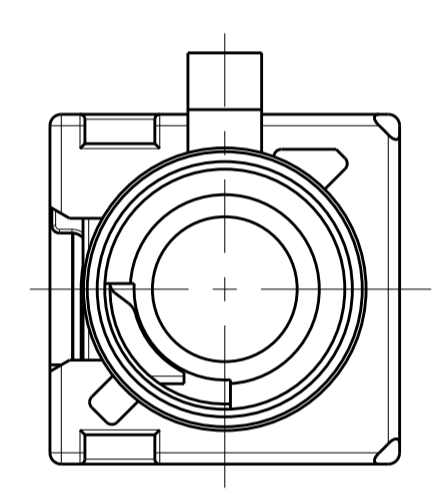
DETAIL D SCALE 5:1



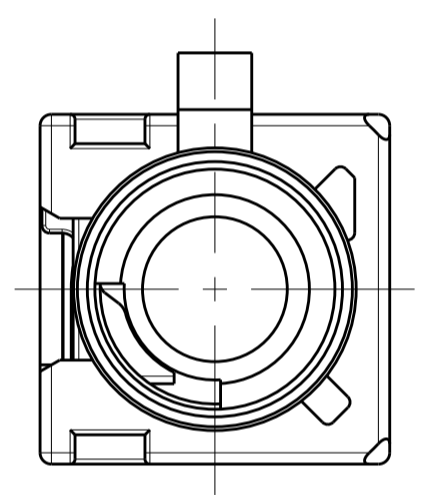
DETAIL E SCALE 5:1



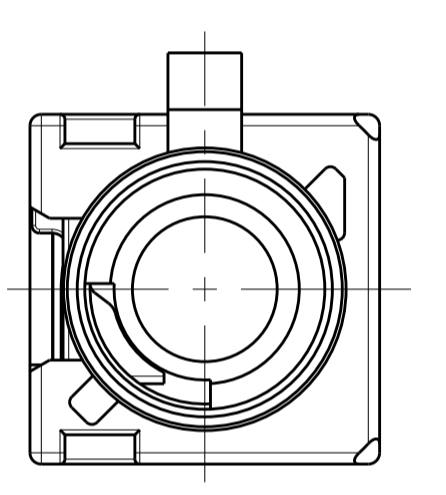
DETAIL F SCALE 5:1



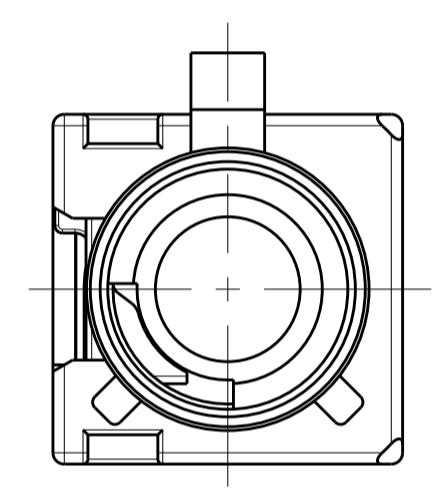
DETAIL G SCALE 5:1



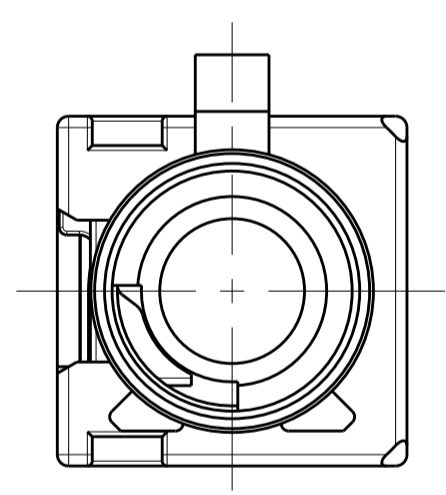
DETAIL H SCALE 5:1



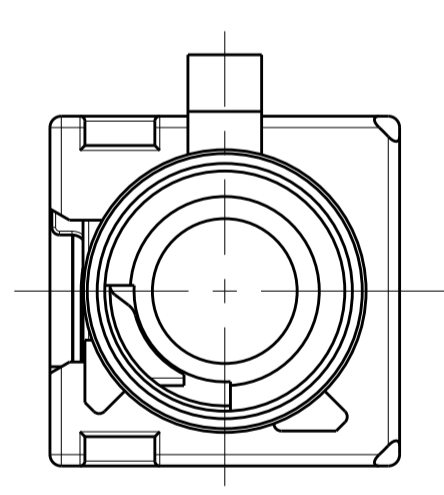
DETAIL I SCALE 5:1



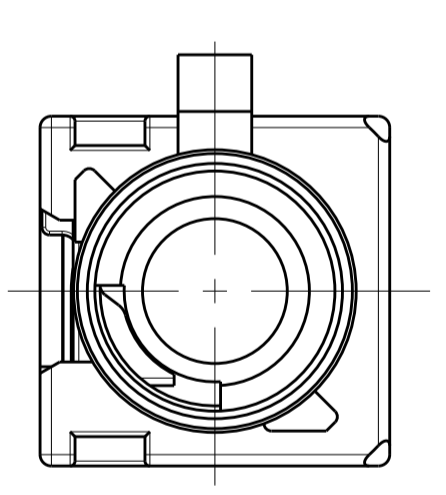
DETAIL K SCALE 5:1



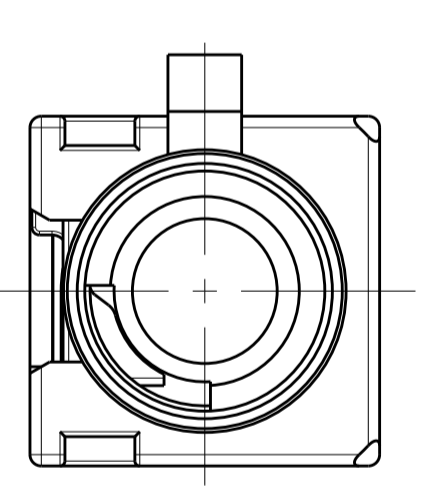
DETAIL L SCALE 5:1



DETAIL M SCALE 5:1



DETAIL N SCALE 5:1



DETAIL Z SCALE 5:1

THIS DRAWING IS A CONTROLLED DOCUMENT.		OWN J.A. BAKER 07APR2017	
DIMENSIONS: mm		CHK E.R. LOVE 28JUL2017	
TOLERANCES UNLESS OTHERWISE SPECIFIED:		APVD E.R. LOVE 28JUL2017	NAME MALE HOUSING, 1 POSITION, FAKRA
0 PLC ±		PRODUCT SPEC	
1 PLC ±		108-32137	
2 PLC ±		APPLICATION SPEC	
3 PLC ±		114-32145	
4 PLC ±		WEIGHT	
ANGLES ±		CUSTOMER DRAWING	
FINISH		SCALE 8:1	SHEET 2 OF 2
			REV A