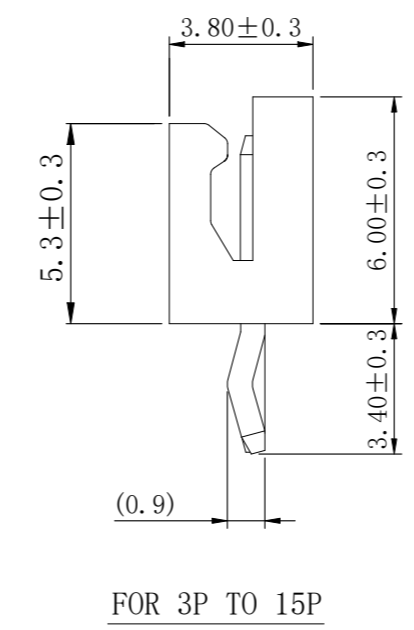
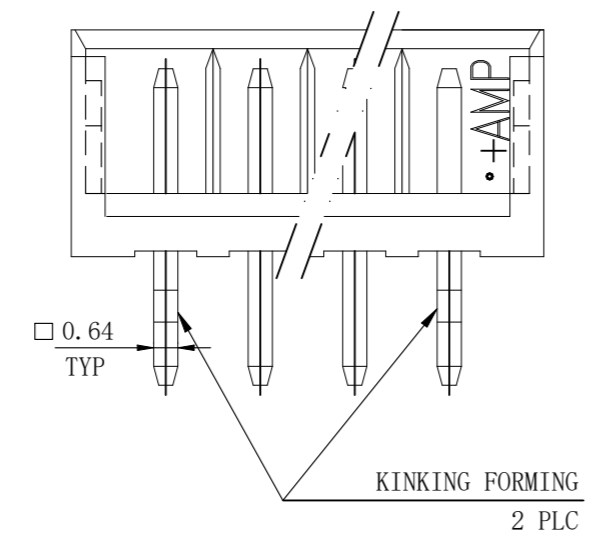
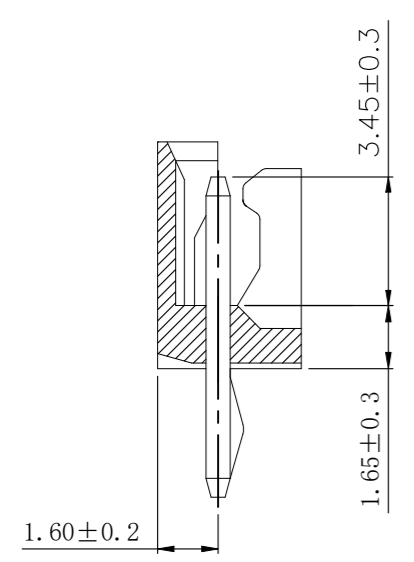
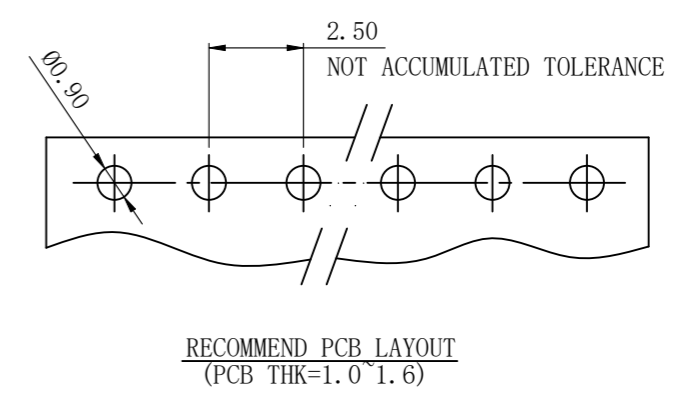
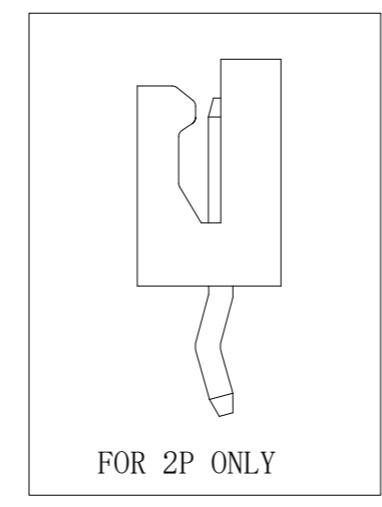
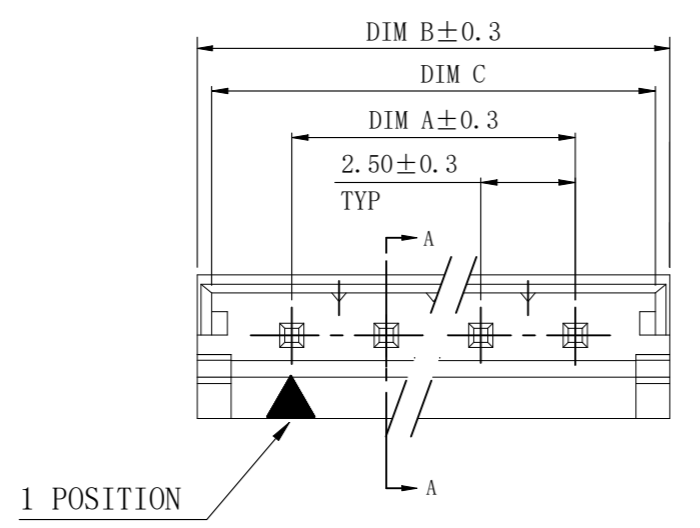


REVISIONS					
P	LTR	DESCRIPTION	DATE	DWN	APVD
	C9	ADD NEW PN 9-440052-2	01SEP2025	MK	MS



DIM C	DIM B	DIM A	CIRCUITS	HOUSING COLOR	PART NUMBER
6.7	7.5	2.50	2P	YELLOW	9-440052-2
14.2	15.0	10.00	4P	NATURAL	5-440052-3
14.2	15.0	10.00	4P	NATURAL	5-440052-2
9.2	10.0	5.00	2P	NATURAL	5-440052-1
14.2	15.0	10.00	3P	NATURAL	4-440052-5
39.2	40.0	35.00	15P	NATURAL	1-440052-5
36.7	37.5	32.50	14P	NATURAL	1-440052-4
34.2	35.0	30.00	13P	NATURAL	1-440052-3
31.7	32.5	27.50	12P	NATURAL	1-440052-2
29.2	30.0	25.00	11P	NATURAL	1-440052-1
26.7	27.5	22.50	10P	NATURAL	1-440052-0
24.2	25.0	20.00	9P	NATURAL	440052-9
21.7	22.5	17.50	8P	NATURAL	440052-8
19.2	20.0	15.00	7P	NATURAL	440052-7
16.7	17.5	12.50	6P	NATURAL	440052-6
14.2	15.0	10.00	5P	NATURAL	440052-5
11.7	12.5	7.50	4P	NATURAL	440052-4
9.2	10.0	5.00	3P	NATURAL	440052-3
6.7	7.5	2.50	2P	NATURAL	440052-2

NOTE:

- MATERIAL : HOUSING : THERMOPLASTIC UL94V-0, CONTACT : BRASS.
- FINISH: CONTACT : 80u" MIN. TIN PLATED ON CONTACT AREA.
- WHEN EXTRACTING RECEPTACLE HOUSING FROM HEADER, NOT WIRE BUT RECEPTACLE HOUSING SHOULD BE CRIPED IN OEDER TO AVOID THE WIRE BREAKAGE.
- PART 4-440052-5 IS PART 440052-5 WITH PIN 2 AND 4 REMOVED.
- PART 5-440052-1 IS PART 440052-3 BUT 2ND PIN REMOVED.
- PART 5-440052-2 IS PART 440052-5 BUT 4TH PIN REMOVED.

- 0% MATERIAL REGRIND PARTS
- PART 5-440052-3 IS PART 440052-5 BUT 3RD PIN REMOVED.
- PART 9-440052-2 - Plating spec - Au 30u"

THIS DRAWING IS A CONTROLLED DOCUMENT.

DIMENSIONS: mm	TOLERANCES UNLESS OTHERWISE SPECIFIED:	DWN O. HU 09JUN2003	 TE Connectivity Ltd.
	0 PLC ± 0.5	CHK A. WU 09JUN2003	
	1 PLC ± 0.3	APVD J. CHENG 09JUN2003	
MATERIAL	FINISH	NAME	

PRODUCT SPEC: 108-57099

APPLICATION SPEC: -

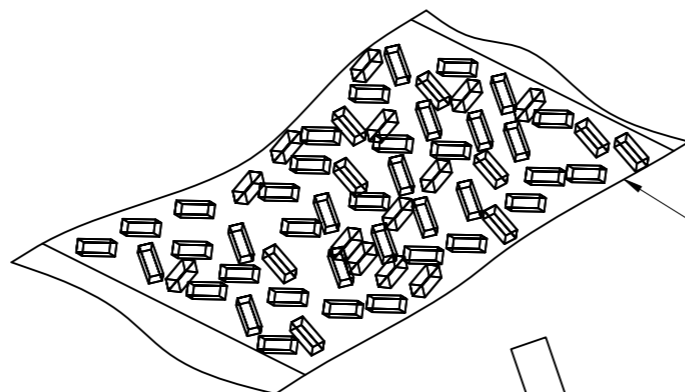
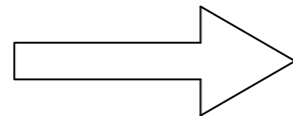
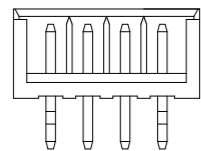
SIZE: A3 CAGE CODE: 00779 DRAWING NO: C-440052 RESTRICTED TO: -

WEIGHT: 0

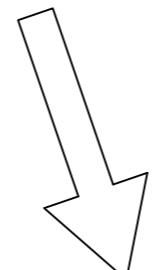
CUSTOMER DRAWING SCALE: 1:1 SHEET: 1 of 5 REV: C9

REVISIONS

P	LTR	DESCRIPTION	DATE	DWN	APVD
-	-	SEE SHEET 1	-	-	-

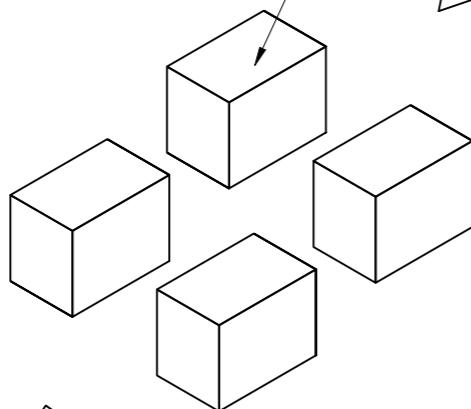


POLY BAG
127mm (L) X 203mm (W) X 0.07mm (H)

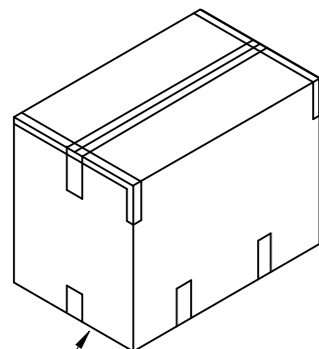
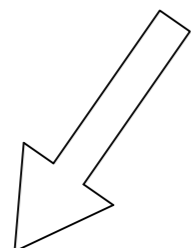
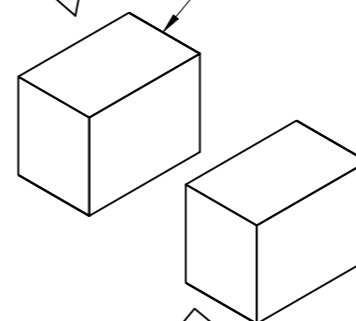


INEER BOX

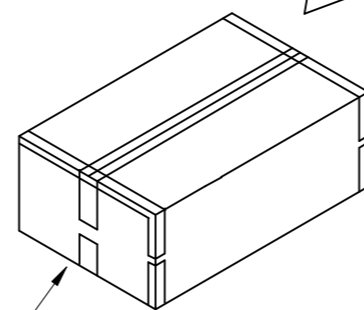
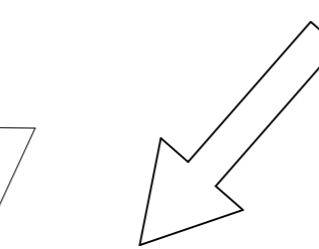
320mm (L) X 220mm (W) X 140mm (H)



INEER BOX
320mm (L) X 220mm (W) X 140mm (H)



CARTON
340mm (L) X 470mm (W) X 316mm (H)
(FOR HEADER 6P~16P ONLY)



CARTON
340mm (L) X 470mm (W) X 168mm (H)
(FOR HEADER 2P~5P ONLY)

APQ (PCS/CARTON)	PPQ (PCS/BAG)	CIRCUITS	HOUSING COLOR	PART NUMBER
36,000	1,000	2P	YELLOW	9-440052-2
20,000	500	4P	NATURAL	5-440052-2
20,000	500	4P	NATURAL	5-440052-2
30,000	750	2P	NATURAL	5-440052-1
20,000	500	3P	NATURAL	4-440052-5
12,960	180	15P	NATURAL	1-440052-5
12,000	200	14P	NATURAL	1-440052-4
14,400	200	13P	NATURAL	1-440052-3
16,000	250	12P	NATURAL	1-440052-2
16,000	250	11P	NATURAL	1-440052-1
20,000	250	10P	NATURAL	1-440052-0
21,600	300	9P	NATURAL	440052-9
25,200	350	8P	NATURAL	440052-8
28,000	350	7P	NATURAL	440052-7
35,000	350	6P	NATURAL	440052-6
20,000	500	5P	NATURAL	440052-5
24,000	600	4P	NATURAL	440052-4
30,000	750	3P	NATURAL	440052-3
36,000	1,000	2P	NATURAL	440052-2
APQ (PCS/CARTON)	PPQ (PCS/BAG)	CIRCUITS	YELLOW	NATURAL
			NATURAL	

THIS DRAWING IS A CONTROLLED DOCUMENT.

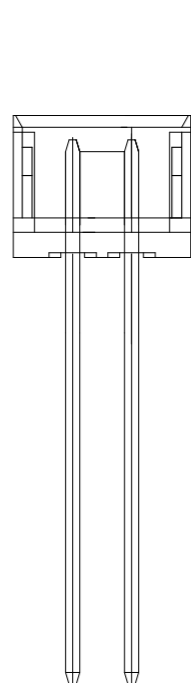
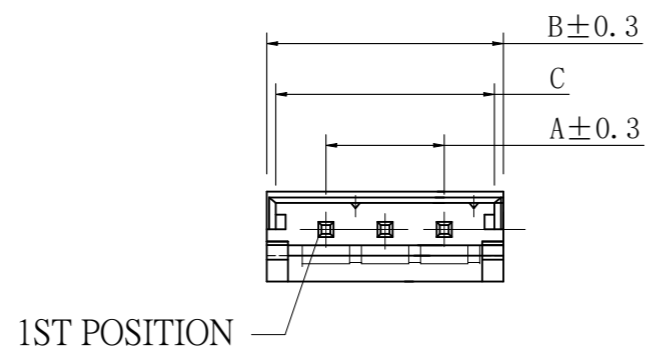
DIMENSIONS: mm	TOLERANCES UNLESS OTHERWISE SPECIFIED:
	0 PLC ± -
	1 PLC ± -
	2 PLC ± -
	3 PLC ± -
	4 PLC ± -
	ANGLES ± -
MATERIAL	FINISH
-	-

DWN	O. HU	09JUN2003
CHK	A. WU	09JUN2003
APVD	J. CHENG	09JUN2003
PRODUCT SPEC	108-57099	
APPLICATION SPEC	-	
WEIGHT	0.000000	A300779
CUSTOMER DRAWING		

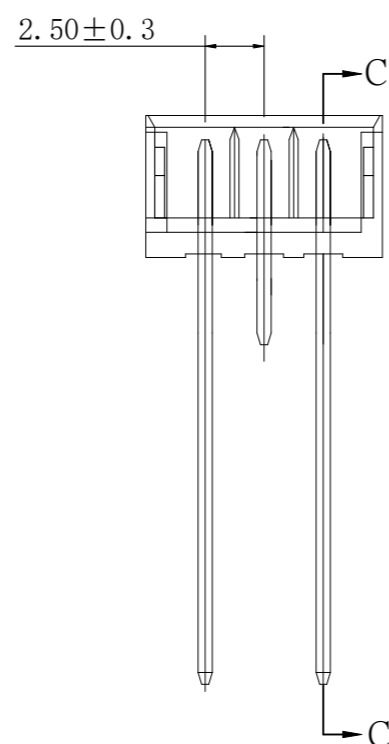
TE Connectivity Ltd.			
NAME			
2.5 MM PITCH HPI VERTICAL POST HEADERS			
SIZE	CAGE CODE	DRAWING NO	RESTRICTED TO
-	A300779	C-440052	-
SCALE 1:1		SHEET 2 OF 5	REV C9

REVISIONS					
P	LTR	DESCRIPTION	DATE	DWN	APVD
-	-	SEE SHEET 1	-	-	-

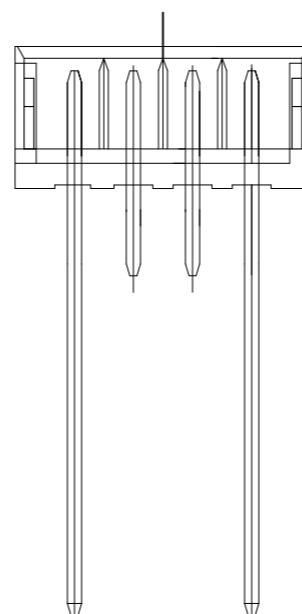
C	B	A	POS	P/N	P/N
11.7	12.5	7.50	4P	8-440052-4	4-440052-4
9.2	10.0	5.00	3P	8-440052-3	4-440052-3
6.7	7.5	2.50	2P	8-440052-2	4-440052-2



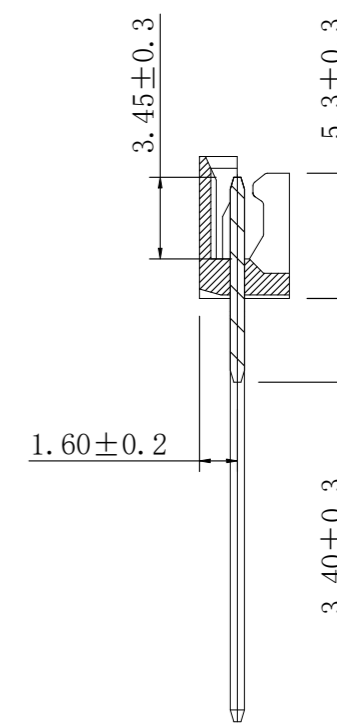
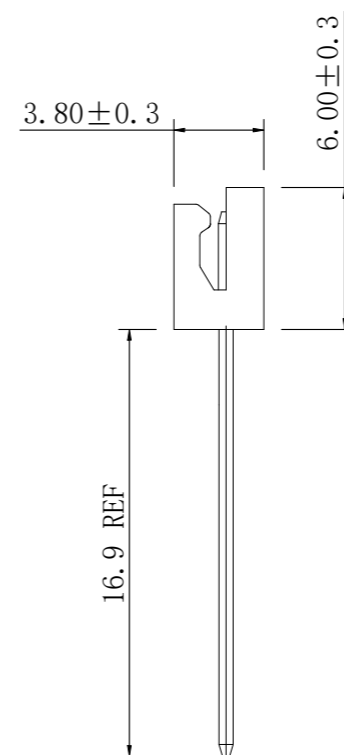
2POS



3POS



4POS



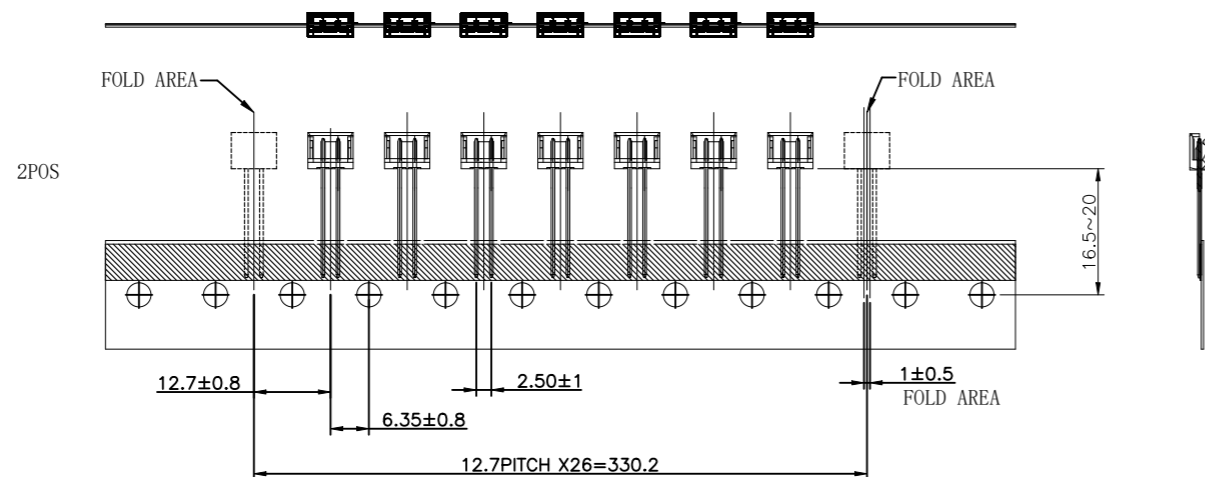
SECTION:C-C

NOTE:

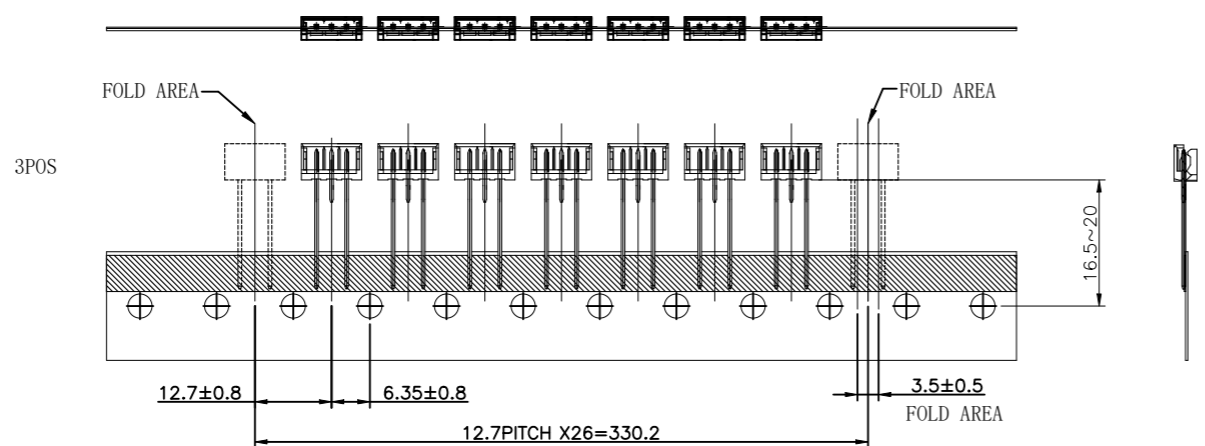
- MATERIAL :
HOUSING : THERMOPLASTIC UL94V-0,
COLOR: NATURAL.
CONTACT : BRASS.
- FINISH:
CONTACT : 80u" MIN. TIN PLATED ON CONTACT AREA.
- WHEN EXTRACTING RECEPTACLE HOUSING FROM HEADER,
NOT WIRE BUT RECEPTACLE HOUSING SHOULD BE
CRIPED IN OEDER TO AVOID THE WIRE BREAKAGE.

THIS DRAWING IS A CONTROLLED DOCUMENT.		DWN O. HU 09JUN2003	TE Connectivity Ltd.														
DIMENSIONS: mm		CHK A. WU 09JUN2003															
TOLERANCES UNLESS OTHERWISE SPECIFIED:		APVD J. CHENG 09JUN2003	NAME														
<table border="0"> <tr> <td>0 PLC</td> <td>± 0.5</td> </tr> <tr> <td>1 PLC</td> <td>± 0.3</td> </tr> <tr> <td>2 PLC</td> <td>± 0.2</td> </tr> <tr> <td>3 PLC</td> <td>± 0.15</td> </tr> <tr> <td>4 PLC</td> <td>± -</td> </tr> <tr> <td>ANGLES</td> <td>± -</td> </tr> </table>		0 PLC	± 0.5	1 PLC	± 0.3	2 PLC	± 0.2	3 PLC	± 0.15	4 PLC	± -	ANGLES	± -	PRODUCT SPEC 108-57099	2.5 MM PITCH HPI VERTICAL POST HEADERS		
0 PLC	± 0.5																
1 PLC	± 0.3																
2 PLC	± 0.2																
3 PLC	± 0.15																
4 PLC	± -																
ANGLES	± -																
MATERIAL		APPLICATION SPEC	SIZE	CAGE CODE	DRAWING NO	RESTRICTED TO											
-		FINISH	-	A300779	C-440052	-											
CUSTOMER DRAWING			WEIGHT	SCALE	SHEET	REV											
-			0.000000	1:1	3 of 5	C9											

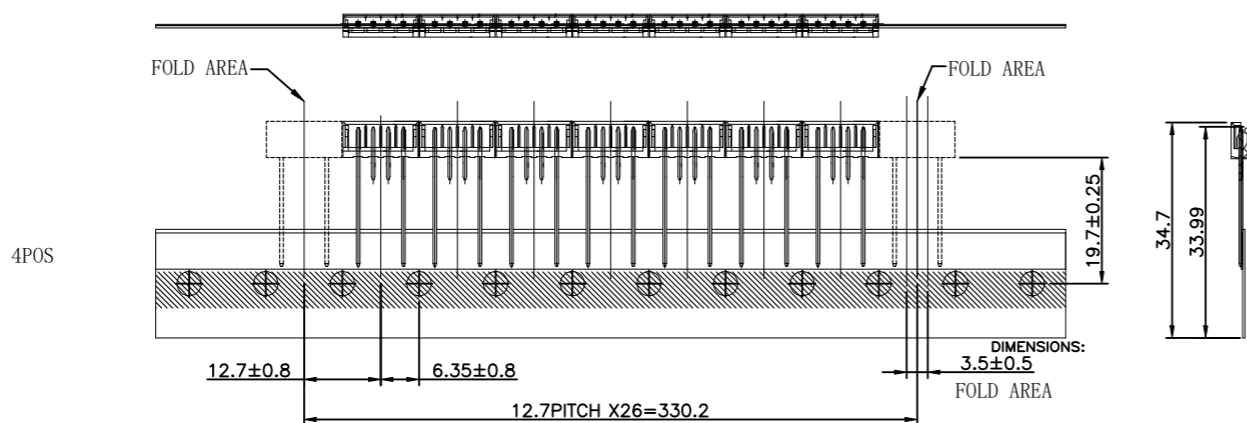
P	LTR	DESCRIPTION	DATE	DWN	APVD
-	-	SEE SHEET 1	-	-	-



- NOTES:
1. BRAID:12.7PITCH*26=330.2
 2. CATON;342*310*42mm
 3. QUANTITY;2POS--1500pcs/box
3POS--1500pcs/box
4POS--720pcs/box



4P	8-440052-4	4-440052-4
3P	8-440052-3	4-440052-3
2P	8-440052-2	4-440052-2
POS	P/N	P/N



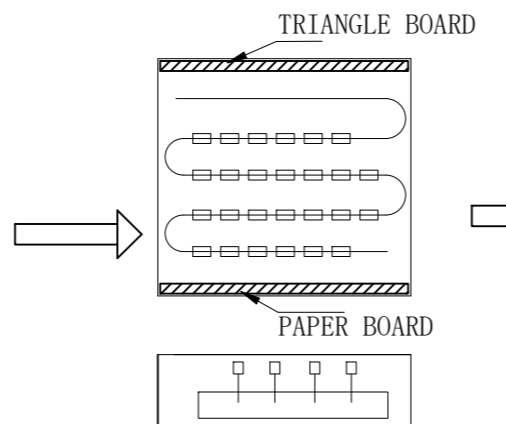
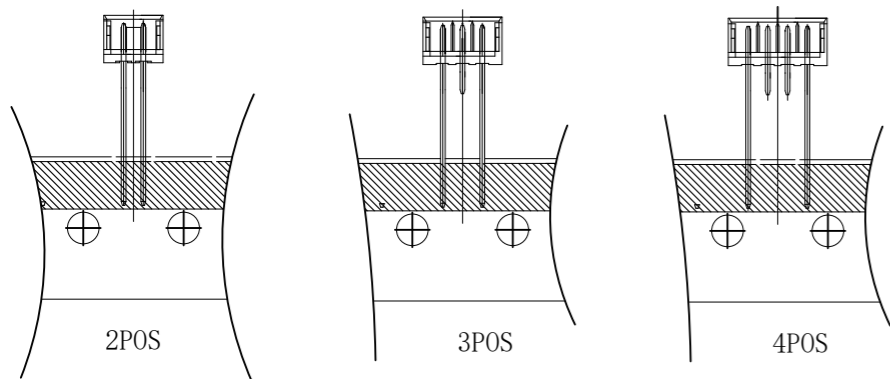
THIS DRAWING IS A CONTROLLED DOCUMENT.

DIMENSIONS:	TOLERANCES UNLESS OTHERWISE SPECIFIED:
mm	
	0 PLC ± -
	1 PLC ± -
	2 PLC ± -
	3 PLC ± -
	4 PLC ± -
	ANGLES ± -
MATERIAL	FINISH
-	-

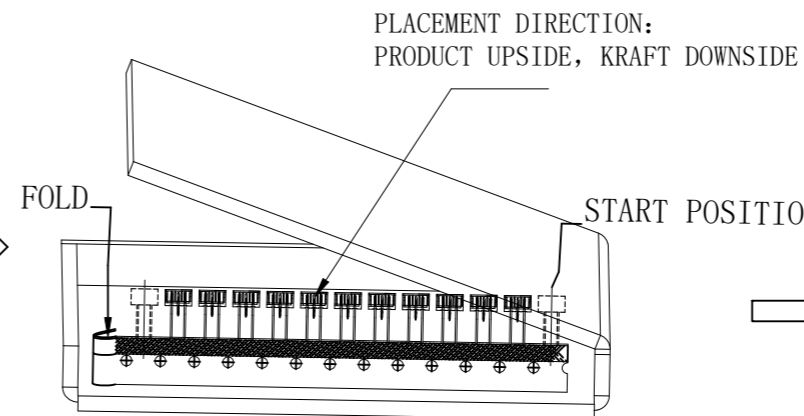
DWN	O. HU	09JUN2003
CHK	A. WU	09JUN2003
APVD	J. CHENG	09JUN2003
PRODUCT SPEC	108-57099	
APPLICATION SPEC	-	
WEIGHT	0.000000	

		TE Connectivity Ltd.			
		NAME			
2.5 MM PITCH HPI VERTICAL POST HEADERS		SIZE	CAGE CODE	DRAWING NO	RESTRICTED TO
-		A3	00779	C-440052	-
CUSTOMER DRAWING		SCALE	1:1	SHEET	4 of 5
				REV	C9

REVISIONS					
P	LTR	DESCRIPTION	DATE	DWN	APVD
-	-	SEE SHEET 1	-	-	-

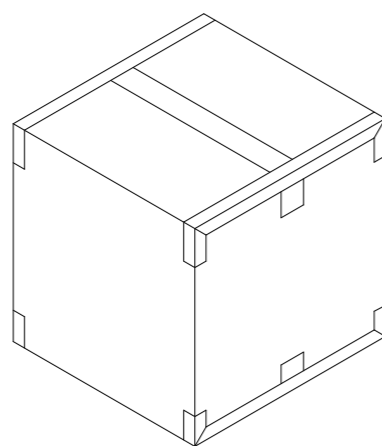


1、SPONGE:12.7PITCH*26=330.2



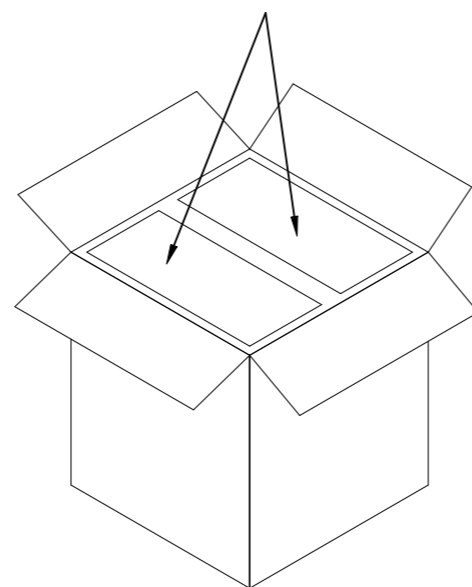
1、QUANTITY;2POS--1500pcs/BOX
3POS--1500pcs/BOX
4POS--720pcs/BOX

LABEL LOCATION AREA

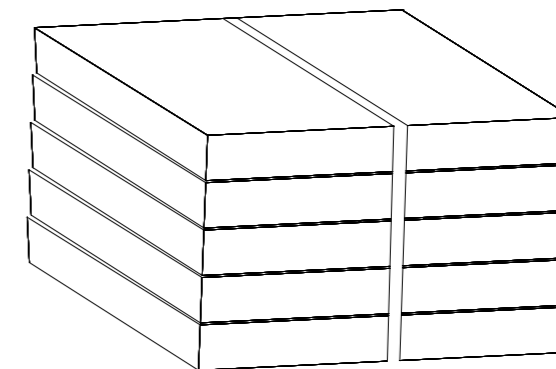


QUANTITY:
2POS&3POS:1500x10=15000PCS
4POS:720x10=7200PCS

TOTAL 2 COLUMNS



DIM: 600*370*240



4P	3P	2P	POS	P/N	P/N
8-440052-4	8-440052-3	8-440052-2			
4-440052-4	4-440052-3	4-440052-2			

THIS DRAWING IS A CONTROLLED DOCUMENT.		DWN O. HU 09JUN2003	TE Connectivity Ltd.		
DIMENSIONS: mm		CHK A. WU 09JUN2003			
TOLERANCES UNLESS OTHERWISE SPECIFIED:		APVD J. CHENG 09JUN2003	NAME		
0 PLC ± -		PRODUCT SPEC		2.5 MM PITCH HPI VERTICAL POST HEADERS	
1 PLC ± -		108-57099			
2 PLC ± -		APPLICATION SPEC			
3 PLC ± -		-		SIZE	CAGE CODE
4 PLC ± -		WEIGHT 0.000000		A3	00779
ANGLES ± -		CUSTOMER DRAWING		DRAWING NO	RESTRICTED TO
FINISH -				C-440052	-
		SCALE 1:1		SHEET 5 of 5	REV C9