
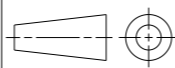


THIS DRAWING IS UNPUBLISHED. RELEASED FOR PUBLICATION 2011
 © COPYRIGHT 2011 Tyco Electronics AMP GmbH ALL RIGHTS RESERVED.

LOC	DIST	REVISIONS					
		P	LTR	DESCRIPTION	DATE	DWN	APVD
AI	-		C	pin cavity change, side wall thickening	13NOV2015	Beck	Beck
			C1	CAD model adapted to real part	02AUG2016	BREN	BECK
			D	add small rib and modification on coding	10NOV2017	HO.	BECK
			D1	Note added	30JUL2025	SH	LOY

REFER TO CUSTOMER DRAWING PN 2177419

THIS DRAWING IS A CONTROLLED DOCUMENT.		DWN NEUEBRT, L. 22DEC2011	 TE Connectivity		
		CHK FRANK, O. 22DEC2011			
DIMENSIONS: mm	TOLERANCES UNLESS OTHERWISE SPECIFIED:	APVD SPIELVOGEL, M. -	NAME 20POS, TAB 0.5X0.4, HEADER ASSY 90 DEG. THT		
	0 PLC ± 1 PLC ± 2 PLC ± 3 PLC ± 4 PLC ± ANGLES ±1°	PRODUCT SPEC -	APPLICATION SPEC -		
MATERIAL -	FINISH -	WEIGHT -	SIZE A3	CAGE CODE 00779	DRAWING NO C=2177367
CUSTOMER DRAWING			SCALE 2:1	SHEET 1 OF 1	REV D1