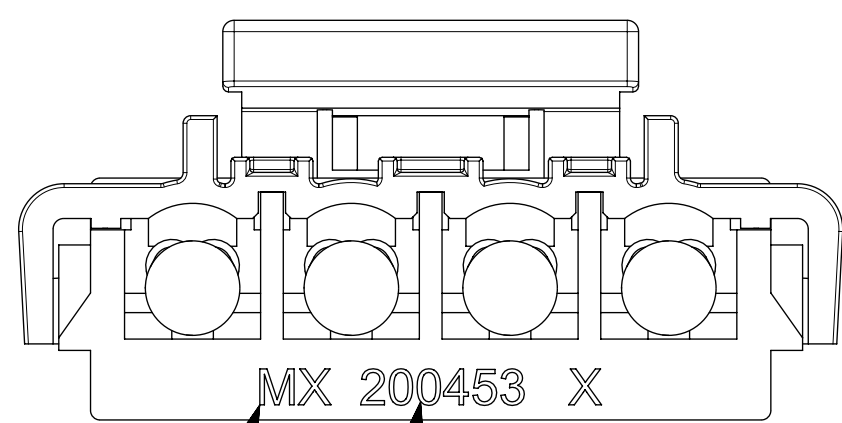
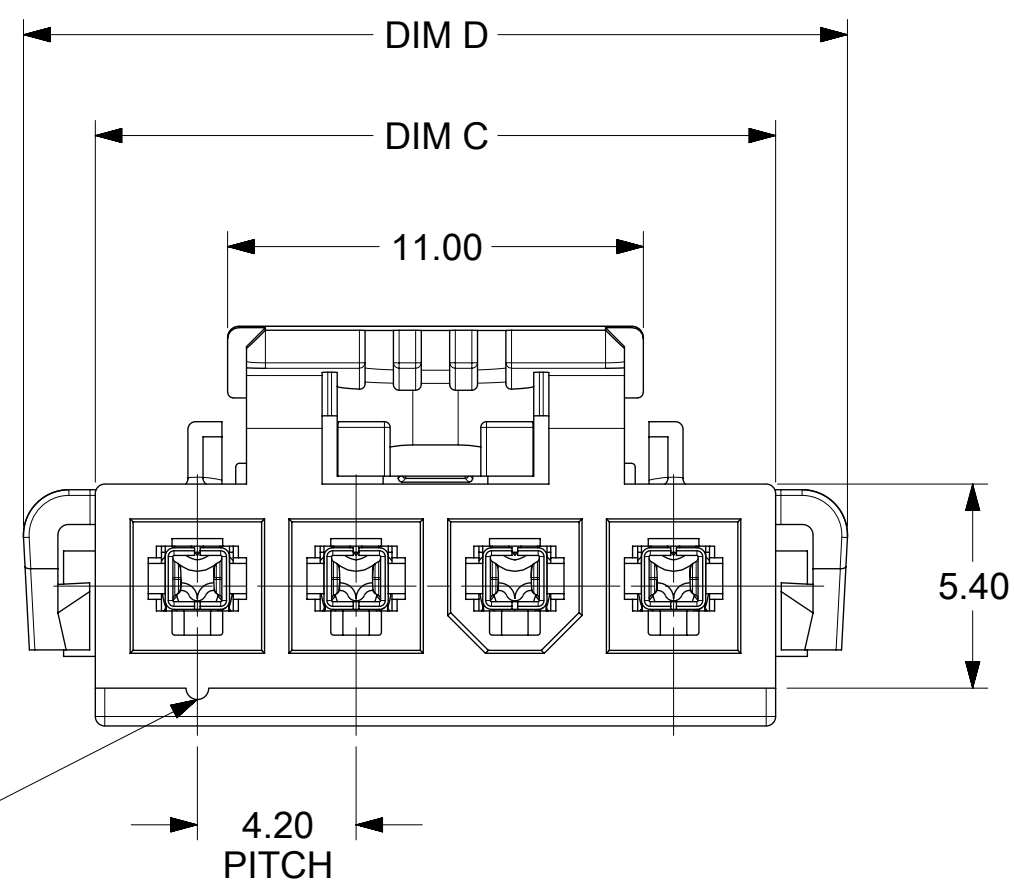
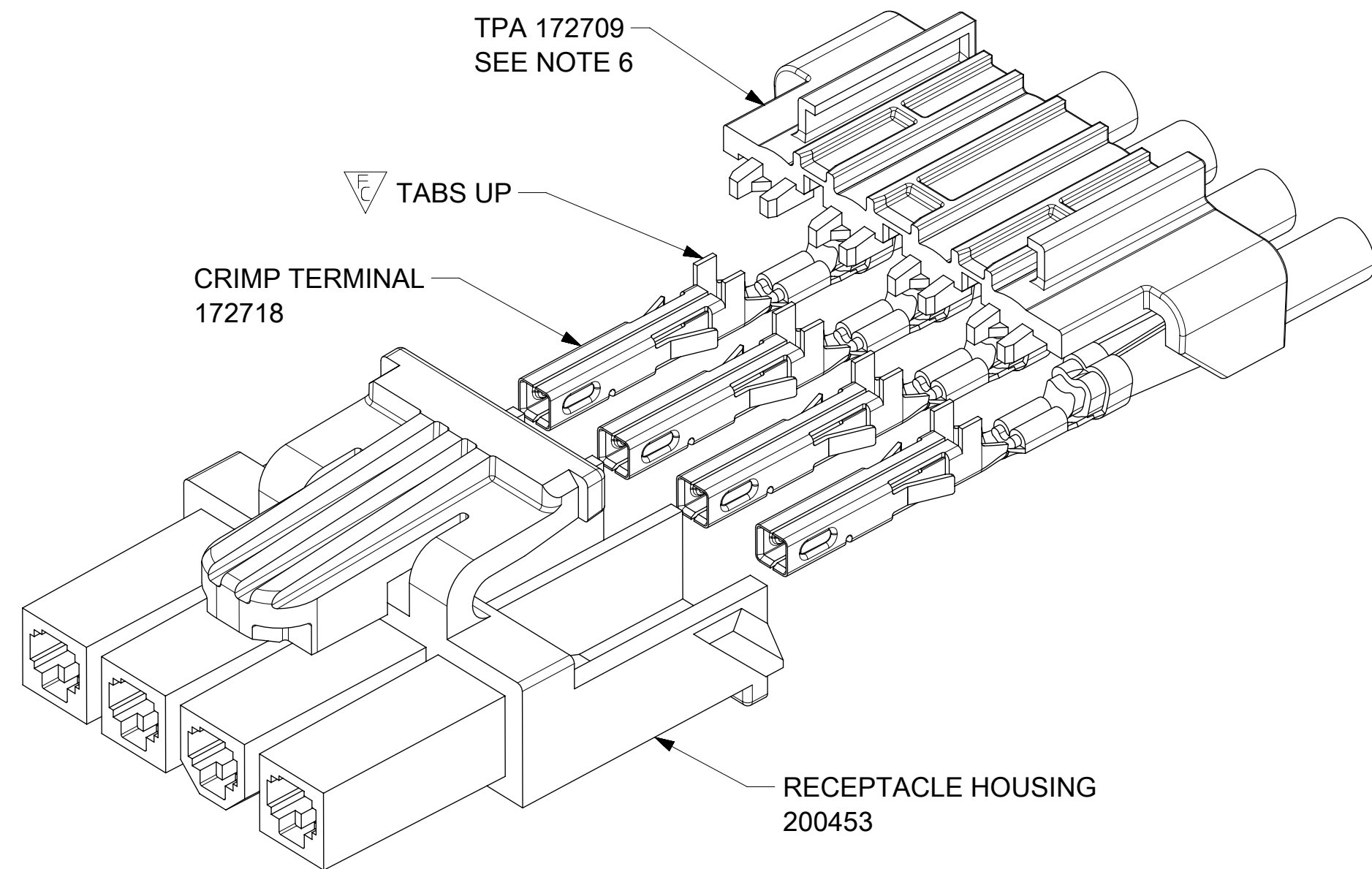
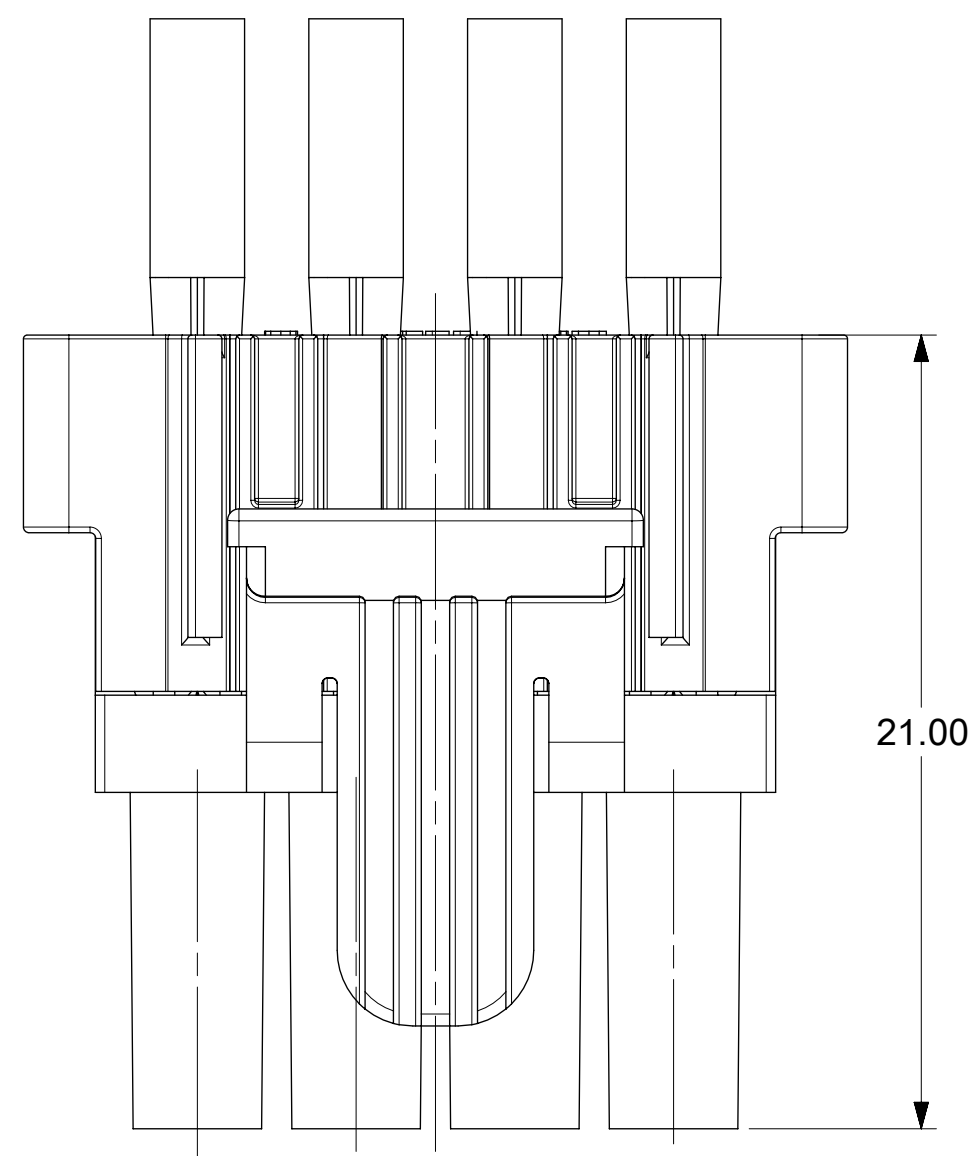


PART NUMBER	CKTS	DIM C	DIM D	MATERIAL
2004530002	2	9.60	13.40	A
2004530102	2	9.60	13.40	B
2004530202	2	9.60	13.40	C
2004530003	3	13.80	17.60	A
2004530103	3	13.80	17.60	B
2004530203	3	13.80	17.60	C
2004530004	4	18.00	21.80	A
2004530104	4	18.00	21.80	B
2004530204	4	18.00	21.80	C
2004530005	5	22.20	26.00	A
2004530105	5	22.20	26.00	B
2004530205	5	22.20	26.00	C
2004530006	6	26.40	30.20	A
2004530106	6	26.40	30.20	B
2004530206	6	26.40	30.20	C

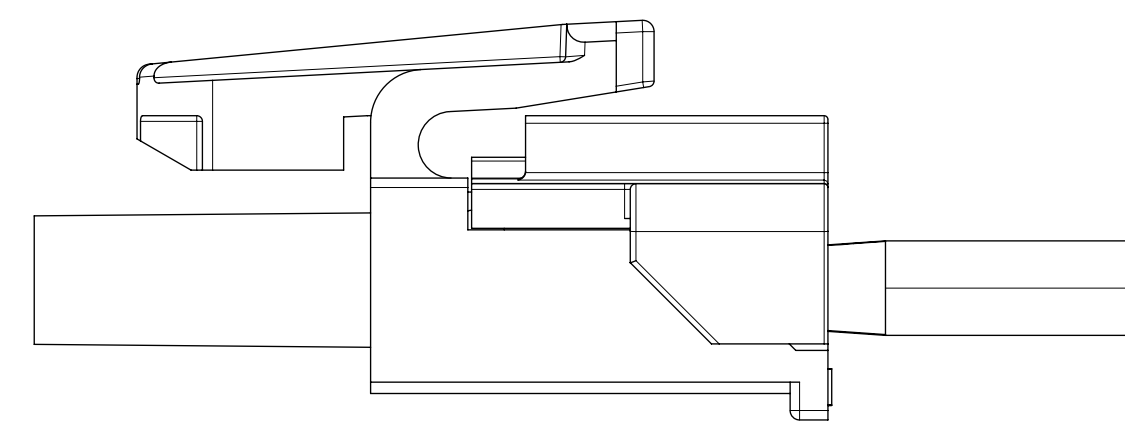


MOLEX ID  
MOLEX SERIES

FIRST CKT ID

**NOTES:**

- MATERIAL:  
'A' = NYLON V-0, LOW HALOGEN, COLOR: BLACK  
'B' = NYLON V-2, GLOW WIRE CAPABLE, COLOR: BLACK  
'C' = NYLON V-2; COLOR: BLACK
- FINISH: NONE
- PRODUCT SPECIFICATION: PS-172718-0000  
APPLICATION SPECIFICATION: AS-172718-0000
- PACKAGING SPECIFICATION:  
2004530000-PK
- THIS HOUSING TO BE USED WITH FEMALE TERMINAL SERIES 172718, 202988 AND TPA SERIES 172709.
- THIS PRODUCT MUST BE USED WITH THE TPA INSTALLED.
- THIS PART MATES WITH SERIES 5559, 5566, 5569, 200471 AND 200488.
- THIS PART CONFORMS TO CLASS 'B' REQUIREMENTS OF COSMETIC SPECIFICATION PS-45499-002.
- FOR 'B' MATERIAL USE CLASS C GATE BLIMISH SPEC.

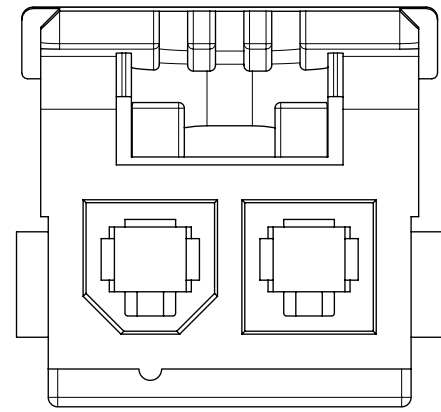


FUNCTIONAL SYMBOLS	THIS DRAWING CONTAINS INFORMATION THAT IS PROPRIETARY TO MOLEX ELECTRONIC TECHNOLOGIES, LLC AND SHOULD NOT BE USED WITHOUT WRITTEN PERMISSION		
	DIMENSION UNITS	SCALE	CURRENT REV DESC:
$\nabla_A = 0$	mm	5:1	EC NO: 814235 DRWN: JERRYW8 2025/02/28 CHK'D: XQZHANG 2025/07/02 APPR: XQZHANG 2025/07/02
$\nabla_C = 2$	GENERAL TOLERANCES (UNLESS SPECIFIED)		
$\nabla_P = 0$	ANGULAR TOL ± °		INITIAL REVISION: DRWN: TGREGORI 2016/10/18 APPR: RHODGE 2016/10/20
DIVISIONAL SYMBOLS	4 PLACES ±	3 PLACES ±	
	2 PLACES ± 0.13	1 PLACE ± 0.2	2016/10/18
	0 PLACES ±		2016/10/20
	DRAFT WHERE APPLICABLE MUST REMAIN WITHIN DIMENSIONS	THIRD ANGLE PROJECTION	DRAWING SERIES
			C-SIZE 200453
			DOCUMENT NUMBER: 2004530000-SD
			DOC TYPE: PSD
			DOC PART: 000
			REVISION: A3
			MATERIAL NUMBER: SEE TABLE
			CUSTOMER: GENERAL MARKET
			SHEET NUMBER: 1 OF 2

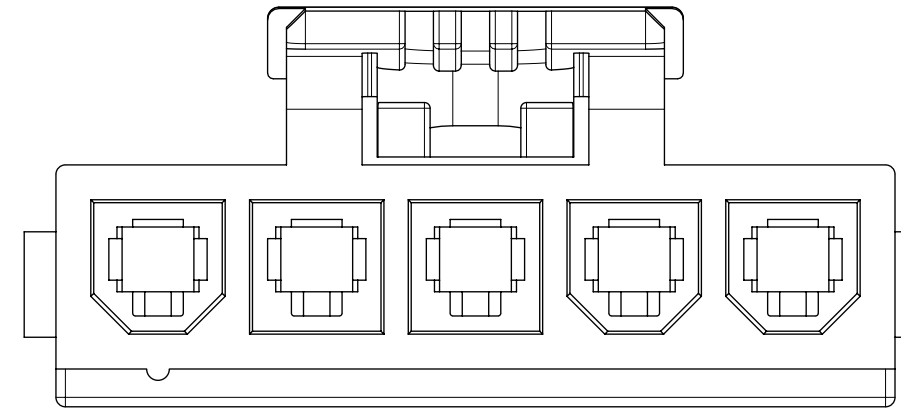
DOCUMENT STATUS	P1	RELEASE DATE	2025/07/02	04:05:11
-----------------	----	--------------	------------	----------

# POLARIZATION DETAIL

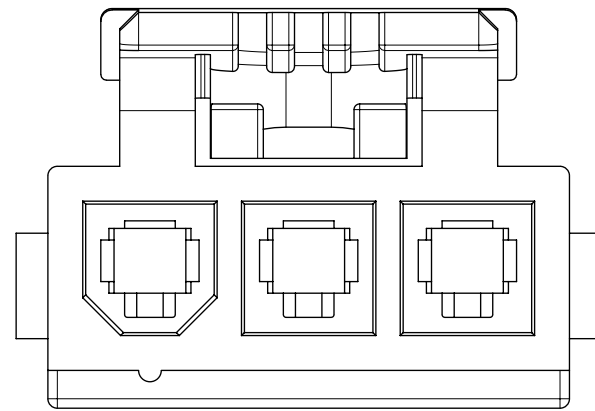
2 CKT



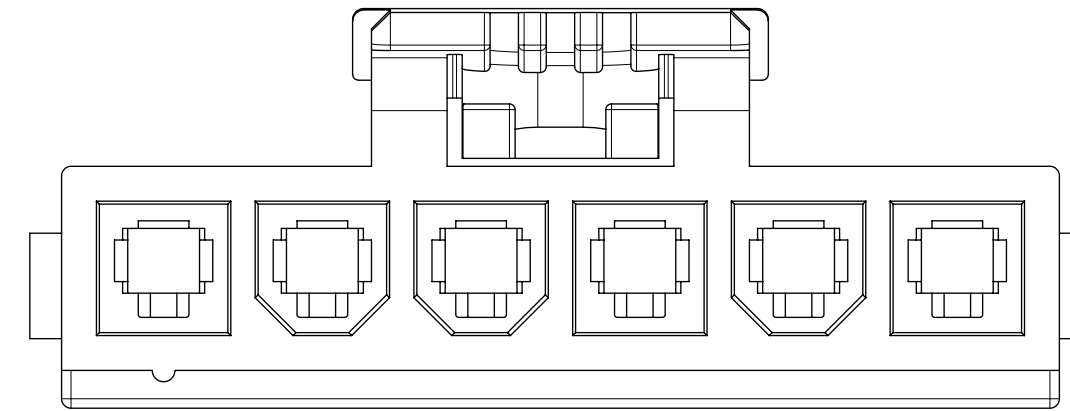
5 CKT



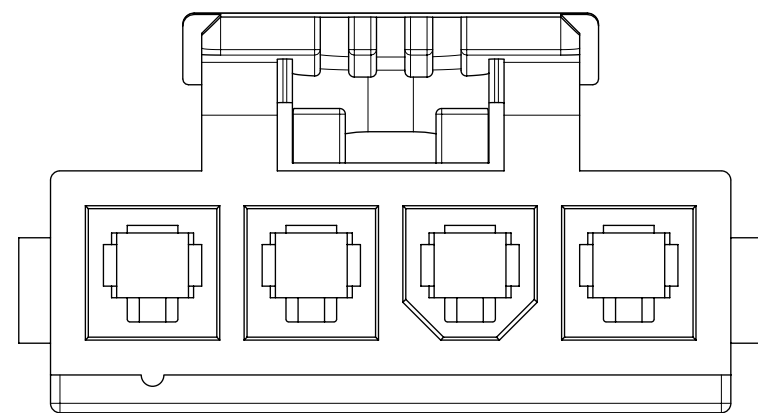
3 CKT



6 CKT



4 CKT



FUNCTIONAL SYMBOLS	THIS DRAWING CONTAINS INFORMATION THAT IS PROPRIETARY TO MOLEX ELECTRONIC TECHNOLOGIES, LLC AND SHOULD NOT BE USED WITHOUT WRITTEN PERMISSION			
	DIMENSION UNITS	SCALE	CURRENT REV DESC:	
$\frac{F}{A} = 0$	mm	1:1	EC NO: 814235 DRWN: JERRYW8 2025/02/28 CHK'D: XQZHANG 2025/07/02 APPR: XQZHANG 2025/07/02	
$\frac{E}{C} = 0$	GENERAL TOLERANCES (UNLESS SPECIFIED)			
$\frac{E}{P} = 0$	ANGULAR TOL ± °			
DIVISIONAL SYMBOLS	4 PLACES	±	INITIAL REVISION: DRWN: TGREGORI 2016/10/18 APPR: RHODGE 2016/10/20	
	3 PLACES	±		
	2 PLACES	± 0.13		
	1 PLACE	± 0.2		
	0 PLACES	±	THIRD ANGLE PROJECTION	
DRAFT WHERE APPLICABLE MUST REMAIN WITHIN DIMENSIONS		DRAWING		SHEET NUMBER
		C-SIZE		2 OF 2

**molex**

HOUSING, SINGLE ROW RECEPTACLE  
MINI-FIT TPA2

PRODUCT CUSTOMER DRAWING

DOCUMENT NUMBER	DOC TYPE	DOC PART	REVISION
2004530000-SD	PSD	000	A3

MATERIAL NUMBER	CUSTOMER	SHEET NUMBER
SEE TABLE	GENERAL MARKET	2 OF 2