

PRODUCT DESCRIPTION CODE:

10143535-1XXK_LF

RoHS COMPATIBLE, SEE NOTE 3

FOR CUSTOMER CODE :
BLANK = GENERAL USE
V = CUSTOMER DEDICATED PART

PACKAGING :
K = TAPE & REEL

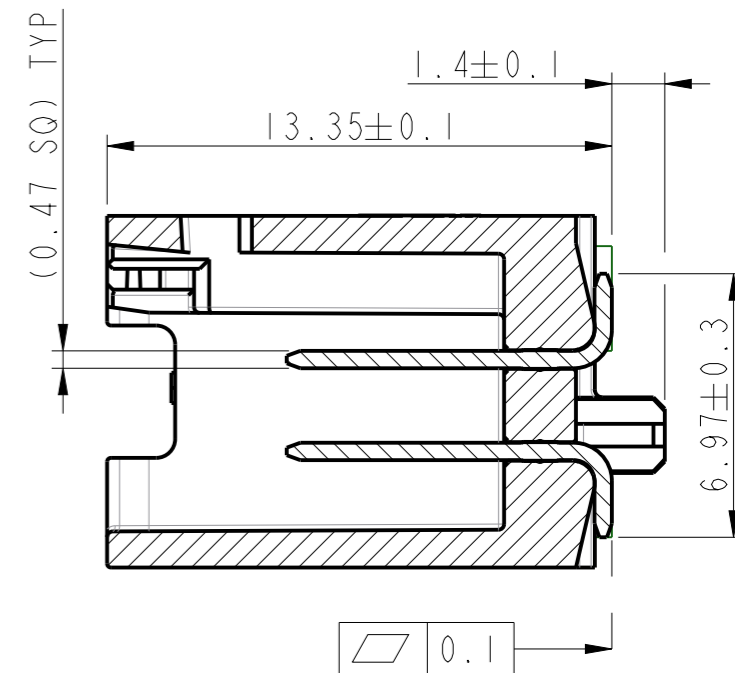
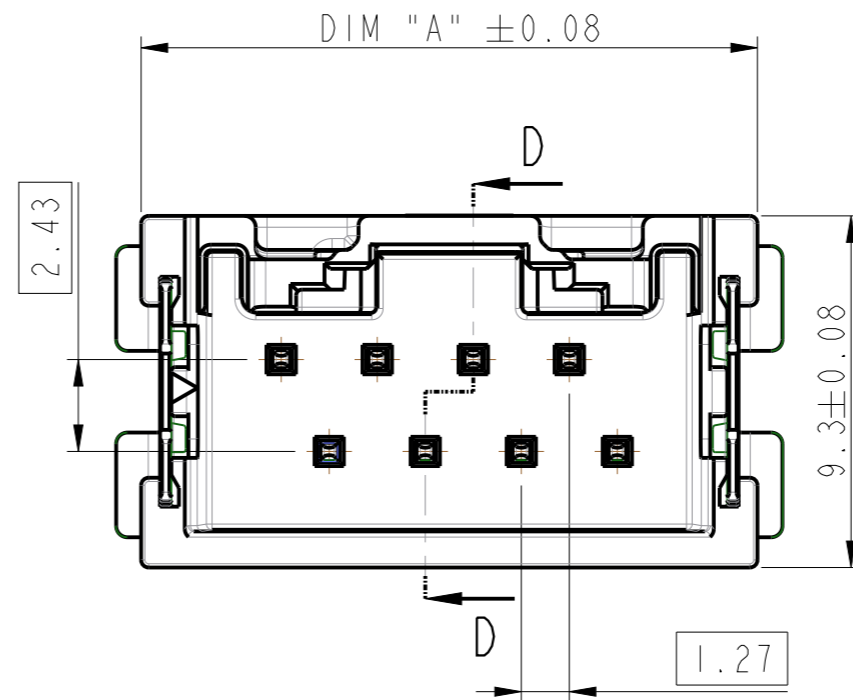
NUMBER OF POSITIONS : 04 TO 16

PLATING :

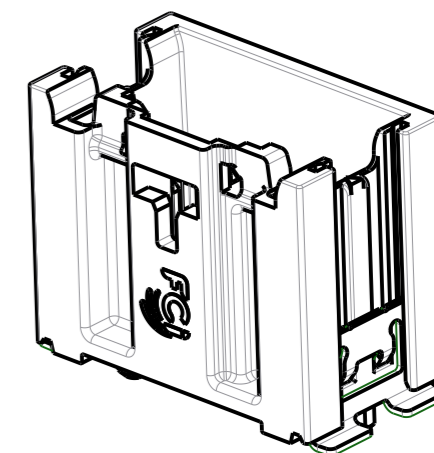
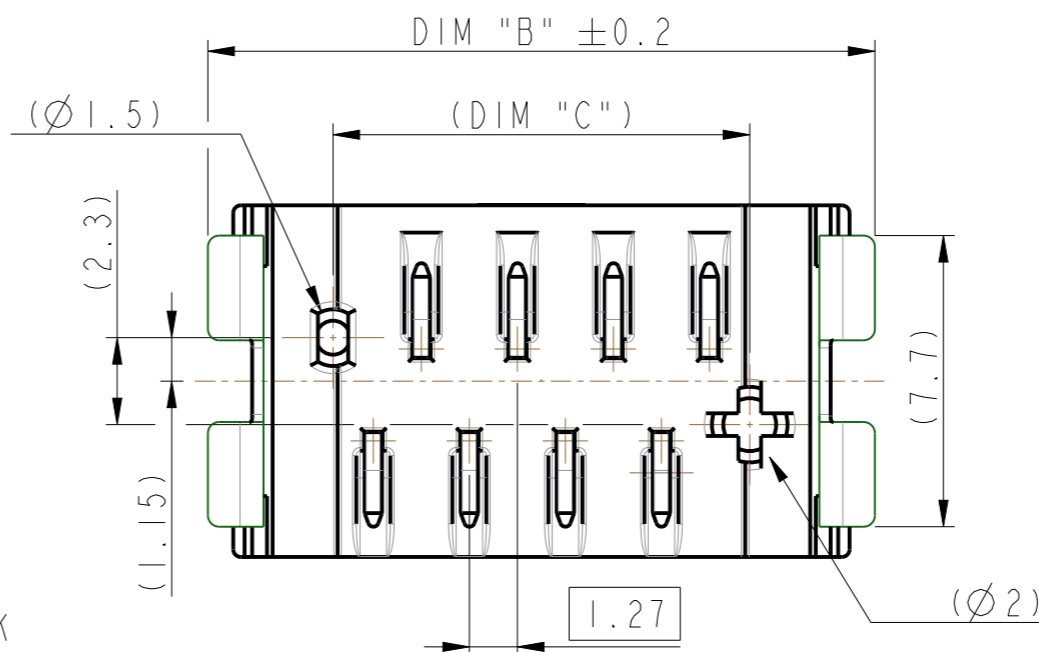
- 1 = 3µm MIN MATTE TIN (PREPLATED)
- 2 = 3µm MIN MATTE TIN (POST-PLATED)
- 3 = 0.76µm MIN GOLD (CONTACT AREA)
- ALL OVER 1.27µm MIN NICKEL UNDERLAYER

NOTES:

- 1 - MATERIAL:
HOUSING : HIGH TEMPERATURE THERMOPLASTIC
COLOR BLACK UL94 V-0
PIN : HIGH CURRENT COPPER ALLOY
- 2 - TO BE MATED WITH MINITEK µSPACE RECEPTACLE SERIES 10142348
- 3 - RoHS COMPATIBLE PRODUCT SPECIFICATIONS
 - a - PLATING:
"LF" MEANS THE PRODUCT IS LEAD FREE,
3µm MINIMUM MATTE TIN OVER 1.27µm MINIMUM NICKEL UNDERPLATE.
 - b - MANUFACTURING PROCESS COMPATIBILITY:
THE HOUSING WILL WITHSTAND EXPOSURE TO 260°C PEAK TEMPERATURE FOR 30 SECONDS MAX IN A CONVECTION, INFRA-RED OR VAPOR PHASE OR REFLOW OVEN.
 - c - LABELLING :
MEETS PACKAGING SPECS AS PER GS-14-920
 - d - LEGAL STATEMENT :
SEE GS-47-0004.



SECTION D-D



SCALE 3:1

spec ref	GS-12-1422	dr	Sawanth, Ambaa	2018/07/10	projection	mm	size	A3	scale	5:1
tolerance std	ISO 406 ISO 1101	eng	Detouillon, Da	2026/02/06			ecn no	ELX-F-59360-1		
TOLERANCES UNLESS OTHERWISE SPECIFIED		chr	-	-			rel level	Released		
surface	linear	0.X	±0.3	Amphenol FCI	product family		-	cat. no.	-	Product - Customer Drw
		0.XX	±0.10	title	HEADER ASSEMBLY		dwg no	10143535		rev
		0.XXX	±0.005		MINITEK µSPACE VERT. STG TOP LATCH					C
	angular	0°	±2°					sheet 1 of 3		

1

2

3

4

A

A

B

B

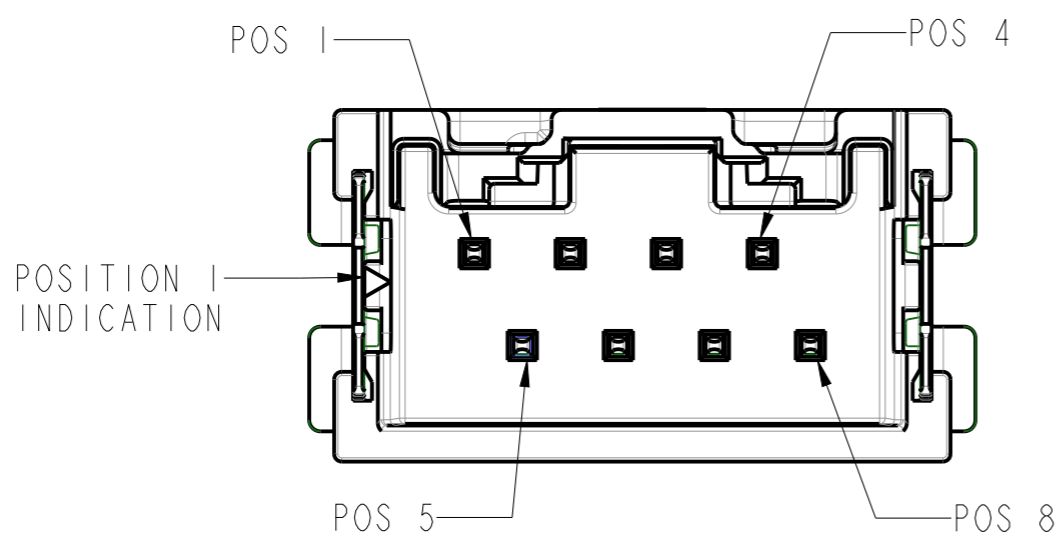
C

C

D

D

PART NO.	NO. OF POSN	DIM "A"	DIM "B"	DIM "C"
10143535-104KLF	04	11.22	12.56	05.94
10143535-105KLF	05	12.49	13.83	07.21
10143535-106KLF	06	13.76	15.10	08.48
10143535-107KLF	07	15.03	16.37	09.75
10143535-108KLF	08	16.30	17.64	11.02
10143535-109KLF	09	17.57	18.91	12.29
10143535-110KLF	10	18.84	20.18	13.56
10143535-111KLF	11	20.11	21.45	14.83
10143535-112KLF	12	21.38	22.72	16.10
10143535-113KLF	13	22.65	23.99	17.37
10143535-114KLF	14	23.92	25.26	18.64
10143535-115KLF	15	25.19	26.53	19.91
10143535-116KLF	16	26.46	27.80	21.18



POSITION NUMBER INDICATION FOR 8POS VERSION

Amphenol
FCi

© 2020 Amphenol Corporation

spec ref	GS-12-1422	dr	Sawanth, Ambaa	2018/07/10	projection	mm	size	A3	scale	5:1	
tolerance std	ISO 406 ISO 1101	eng	Detouillon, Da	2026/02/06			ecn no	ELX-F-59360-1			
surface	TOLERANCES UNLESS OTHERWISE SPECIFIED linear: 0.X ±0.3, 0.XX ±0.10, 0.XXX ±0.005 angular: 0° ±2°	chr	-	product family			-	rel level	Released		
ISO 1302		Amphenol FCi	appr	Lamy, Alexandr	2026/02/06	HEADER ASSEMBLY MINITEK μSPACE VERT. STG TOP LATCH		dwg no	10143535		rev
		cat. no.			Product - Customer Drw		sheet 2 of 3				

Creo File:ELX-WC-A3C.REV F.2020-12-21

1

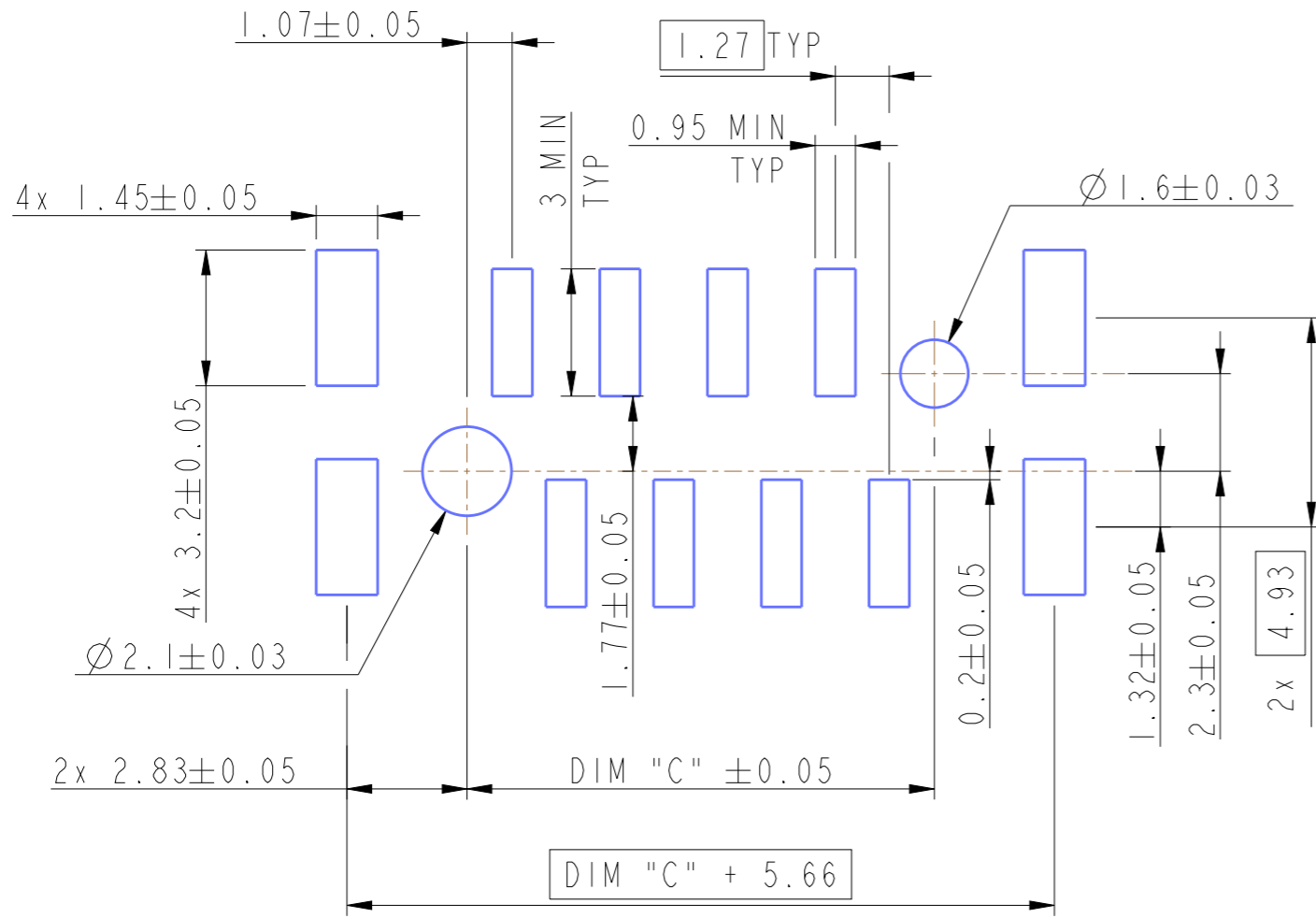
2

3

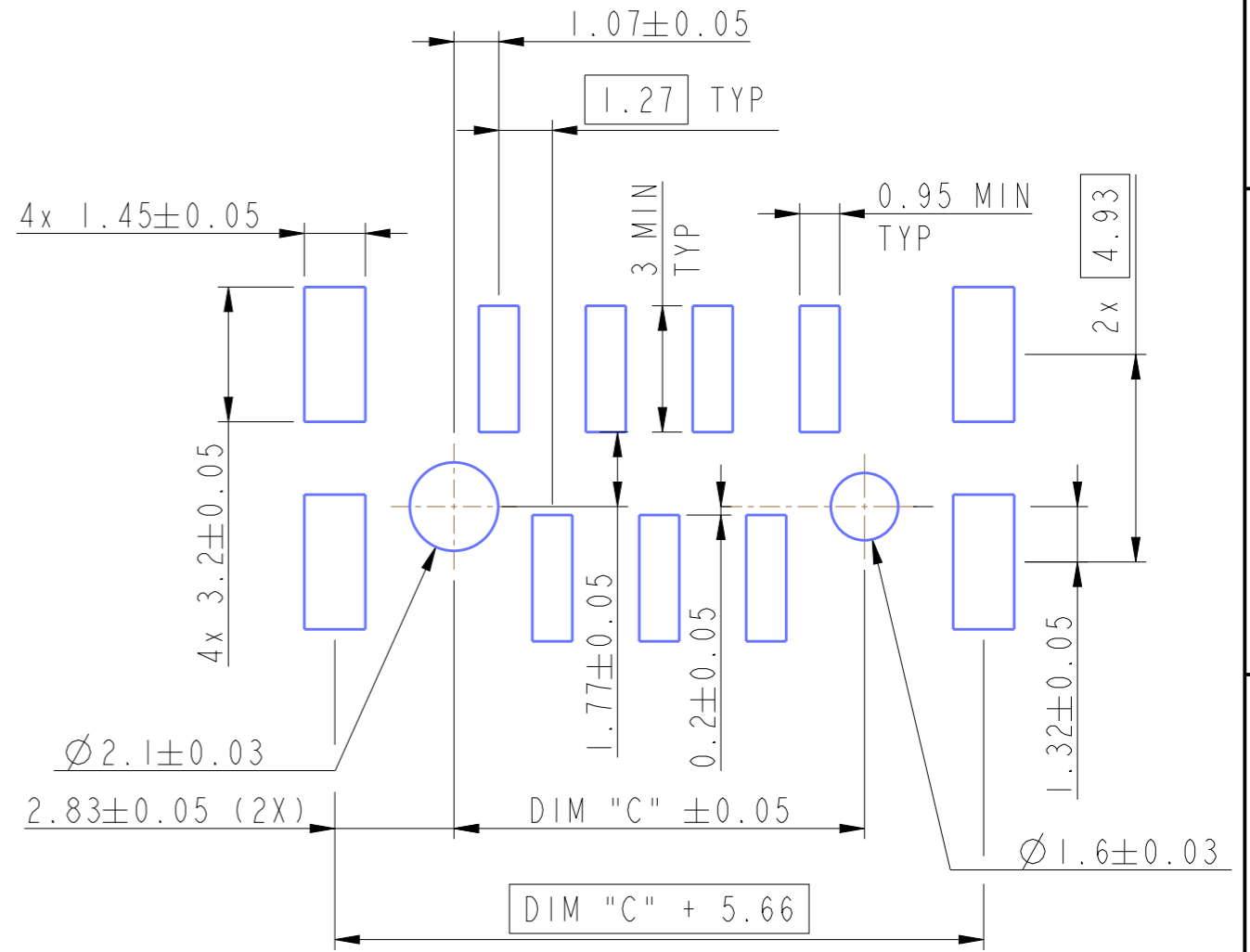
PDS: Rev :C

STATUS:Released

Printed: Feb 07, 2026



RECOMMENDED PCB LAYOUT FOR 04, 06, 08, 10, 12, 14, 16 POS



RECOMMENDED PCB LAYOUT FOR 05, 07, 09, 11, 13, 15 POS

spec ref GS-12-1422		dr Sawanth, Ambaa	2018/07/10	projection	mm	size A3	scale 6:1
tolerance std ISO 406 ISO 1101		eng Detouillon, Da	2026/02/06			ecn no ELX-F-59360-1	
TOLERANCES UNLESS OTHERWISE SPECIFIED		chr -	-			rel level Released	
surface	linear	0.X	±0.3	Amphenol FCI		TITLE HEADER ASSEMBLY MINITEK μSPACE VERT. STG TOP LATCH	
		0.XX	±0.10				
ISO 1302	angular	0°	±2°	cat. no. -		Product - Customer Drw	sheet 3 of 3
		appr Lamy, Alexandr	2026/02/06	product family -		rel level	Released
				dwg no		10143535	rev C