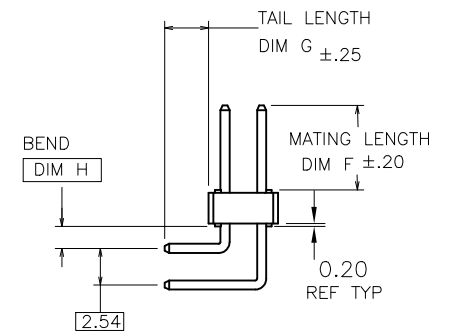
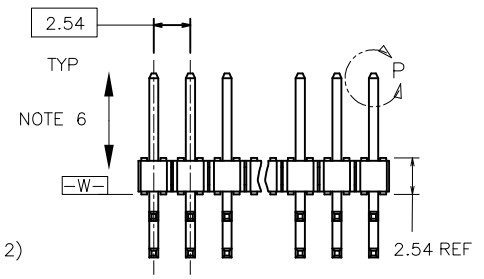
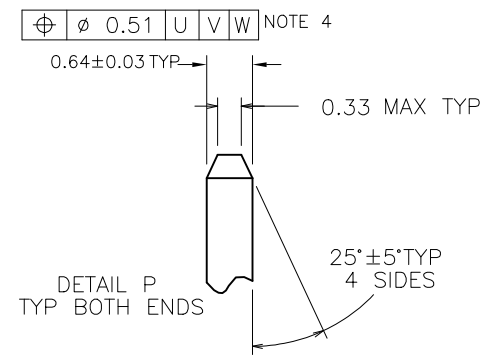
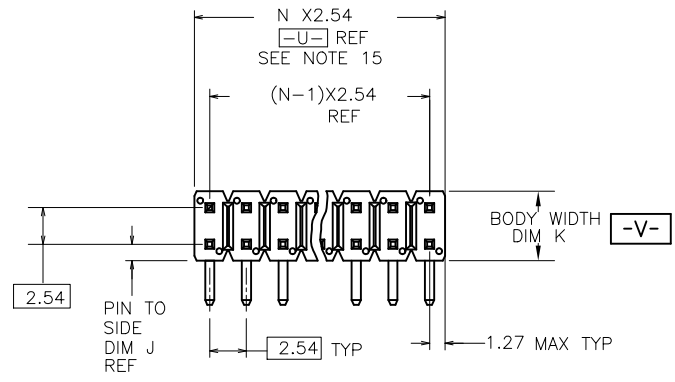


PRODUCT NUMBER
 XXXXX-YYY HXV LF

- LEAD FREE
- BLANK: NONE SPECIAL REQUEST
 V: VALEO
- PACKAGE
 SEE NOTE 1
- HIGH TEMPERATURE PLASTIC
 SEE NOTE 1
- NO OF POSITIONS
 SEE NOTE 1
- PIN PLATING
 SEE SHEET 2
- BASE PART NO.



68020-X XX-XXX XXX LF

- TAIL LENGTH (EXAMPLE BELOW)
 3.0mm=030 12.8mm=128 (SEE NOTE 11 & 12)
- MATING LENGTH (EXAMPLE BELOW)
 5.0mm=050 25.5mm=255 (SEE NOTE 11 & 12)
- TOTAL NUMBER OF POSITION
 FROM 2(2X1) THRU 72 (2X36) POSITIONS
- PIN PLATING (SEE NOTE 9)
 1=0.76µm Au
 4= PURE TIN
 8=0.36µm Au
- BASE PART NO.

TOP VIEW

SIDE VIEW

END VIEW



Copyright FCI.

BN		ADD NEW P/N: 68020-410-040030LF AND VALEO CODE IN PART NO.			
REVISION		CONTENT			
www.fciconnect.com		surface 6.4 ISO 1302	tolerance std ISO 406 ISO 1101	projection	MM
		TOLERANCES UNLESS OTHERWISE SPECIFIED			
Dr	D.WIHTING	03/08/93	ANGULAR	size A4	Scale 1.000
Eng	T.HANNA	03/08/93	LINEAR	ECN	
Chr	T.BREWNAKER	03/08/93	0° ±2°		
Appr	T.HANNA	03/08/93	Product family	BERGSTIK	Spec ref
title		BERGSTIK® II HEADER .100/2.54cc DR R/A		dwg no	68020
catalog no				Product-Customer Drw	sheet 1 of 5
Rev.				BN	

rev	ecn no	dr	date
BK	ELX-N-16105	ZK	2013-10-22
BL	ELX-N-19718	JH	2014-12-11
BM	ELX-N-20596	JH	2015-03-30
BN	ELX-N-36584	MZ	2025-07-22

PIN PLATING CODES:

XXXX-1YY	30u"/0.76u MIN (SEE NOTE 9) OVER 50u"/1.27u MIN Ni
XXXX-2YY	15u"/0.38u MIN (SEE NOTE 9) OVER 50u"/1.27u MIN Ni
XXXX-3YY	50u"/1.27u MIN (SEE NOTE 9) OVER 50u"/1.27u MIN Ni
XXXX-4YY	100u"/2.54uMIN Sn OVER 50u"/1.27u MIN Ni (SEE NOTE 10)
XXXX-4YYHLF	
XXXX-5YY	15u"/0.38uMIN (SEE NOTE 9) OVER 50u"/1.27u MIN Ni
XXXX-6YY	30u"/0.76uMIN (SEE NOTE 9) OVER 50u"/1.27u MIN Ni
XXXX-7YY	30u"/0.76u MIN (SEE NOTE 9) OVER 50u"/1.27u MIN Ni

NOTES

1. PART NUMBER OPTIONS:

PIN PLATING CODES (SEE ABOVE)

HIGH TEMP. MATERIAL:

PART NUMBERS WITH AND WITHOUT "H" WILL BE SUPPLIED WITH HIGH TEMPERATURE PLASTIC

NUMBER OF POSITION:

EVEN NUMBER OF POSITIONS FROM 2 (2X1) THRU 72 (2X36).

PACKAGING:

PACKAGED IN POLY BAGS.

EIGHT DIGIT PART NUMBERS FOLLOWED BY A "T" ARE PACKAGED IN TUBES. SEE SPECIFIC PART NUMBERS FOR AVAILABILITY.

LEAD FREE:

ADD "HLF" SUFFIX AT THE END OF PART NUMBER FOR LEAD FREE OPTION, NOT AVAILABLE FOR -5YY,-5YYH,-6YY & -6YYH.

2. BODY MATERIAL:

MANUFACTURER'S OPTION OF NYLON, PCT GLASS FIBER REINFORCED, OR MINERAL FILLED LCP FLAME RETARDENT PER UL-94V-0. COLOR: BLACK.

PART NUMBERS WITH AND WITHOUT "H" SUFFIX WILL WITHSTAND EXPOSURE TO 260°C PEAK TEMPERATURE FOR 20 SECONDS IN WAVE SOLDER, INFRA-RED OR VAPOR PHASE SOLDER PROCESS.

3. PIN MATERIAL: PHOS-BRONZE.

4. MEASURED WITH PART IN RESTRAINED CONDITION.

5. TWO SIDES OF PIN TIPS NOT PLATED. TYPICAL BOTH ENDS.

6. 2LBS/0.9KG MIN PIN RETENTION IN EITHER DIRECTION.

7. MILITARY BERGSTIK HEADER
P/N XXXXX-YY-MIL
NOT AVAILABLE.

8. THESE PRODUCTS MEETS EUROPEAN UNION DIRECTIVES AND OTHER COUNTRY REGULATION AS DESCRIBED IN GS-22-008.

9. PLATING OPTIONS:
PERFORMANCE PLATING WILL BE EITHER GOLD OR GXT ON POST OR TAIL, OPTIONALLY (78~295u"/2~7.5u) TIN ON TAIL.

10. THIS PRODUCT HAS 100% TIN PLATING IN THE INTERFACE AND HAS NOT BEEN TESTED FOR WHISKER GROWTH IN ALL INTERCONNECT ENVIRONMENTS."

11. THE OAL DON'T EXCEED 31mm
OAL= MATTING DIM + TAIL DIM +4.0mm<=31mm "WHERE THE SUM OF TAIL LEGTH DON'T EXCEED 27mm" TAIL
TAIL LENGTH MIN 2.00mm TAIL LENGTH MAX 10.4mm
MATTING LENGTH MIN 1.5mm MATTING LENGTH MAX 25.4mm

12. INCREMENTS BY 0.1mm IN LENGTH ONLY

13. FOR ESPECIAL PACKAGING REQUEST PLEASE CONTACT PRODUCT MANAGER FOR AVAILABILITY

14. BEND DIMENSION AT 1.5mm ONLY

15. TO DETERMINE DIMENSIONS:
N=NUMBER OF POSITION PER ROW
EXAMPLE: 10 POS. N X .100/2.54



2.54±.08
RECOMMENDED HOLE PATTERN

www.fciconnect.com			surface ISO 1302 ✓	tolerance std ISO 406 ISO 1101	projection MM
			TOLERANCES UNLESS OTHERWISE SPECIFIED		←→
Dr	D.WIHTING	03/08/93	ANGULAR	0.X ±0.3	size A4 Scale 1.000
Eng	T.HANNA	03/08/93	LINEAR	0.XX ±0.15	ECN
Chr	T.BREWNAKER	03/08/93	0° ±2°	0.XXX ±0.05	
Appr	T.HANNA	03/08/93	Product family	BERGSTIK	Spec ref
FCI			title BERGSTIK® II HEADER .100/2.54cc DR R/A		dwg no 68020
			catalog no		Rev. BN
				Product-Customer Drw	sheet 2 of 5



Copyright FCI.

PRODUCT NUMBER	MATING LENGTH	TAIL LENGTH	BEND DIM.	PIN TO SIDE	BODY WIDTH	PACKAGING	LF OPTION	
	DIM F	DIM G	DIM H	DIM J	DIM K			
	METRIC	METRIC	METRIC	METRIC	METRIC			
68020-XYX	5.84	2.41	1.52	1.14	4.83	POLY BAGS/TUBES	NOTE 1,8	
68021-XYX	5.84	3.05	1.52	1.14	4.83	POLY BAGS		
68022-XYX	8.08	2.79	1.52	1.78	6.10	POLY BAGS		
68025-XYX	5.84	4.95	1.52	1.14	4.83	POLY BAGS		
68405-XYX	5.84	2.41	1.52	1.78	6.10	POLY BAGS		
68452-XYX	9.65	2.79	1.52	1.78	6.10	POLY BAGS		
68459-XYX	8.08	3.81	1.52	1.78	6.10	POLY BAGS/TUBES		
68462-XYX	10.16	3.05	1.52	1.14	4.83	POLY BAGS		
68463-XYX	5.84	2.79	1.52	1.78	6.10	POLY BAGS		
68480-XYX	8.08	2.79	1.52	1.14	4.83	POLY BAGS		
68492-XYX	5.84	3.81	1.52	1.78	6.10	POLY BAGS		
68493-XYX	UNAVAILABLE							
68695-XYX	5.84	2.29	1.52	1.14	4.83	POLY BAGS		
68696-XYX	8.08	3.18	1.52	1.14	4.83	POLY BAGS		
68697-XYX	5.84	3.18	1.52	1.14	4.83	POLY BAGS		
68715-XYX	3.51	3.51	1.52	1.14	4.83	POLY BAGS		
68728-XYX	UNAVAILABLE							
68740-XYX	8.76	2.79	1.52	1.78	6.10	POLY BAGS		
68759-XYX	6.99	3.05	1.52	1.14	4.83	POLY BAGS		
68780-XYX	5.84	0.99	1.52	1.14	4.83	POLY BAGS		
69147-XYX	13.72	6.60	1.52	1.14	4.83	POLY BAGS		
69186-XYX	UNAVAILABLE							
72240-XYXH	13.97	3.05	1.52	1.78	6.10	POLY BAGS		
72261-XYXH	2.54	2.54	1.52	1.14	4.83	POLY BAGS		
72324-XYXH	13.97	6.60	1.52	1.78	6.10	POLY BAGS		
72410-XYXH	3.05	8.89	3.05	1.78	6.10	POLY BAGS		
74430-XYXH	0.00	5.92	1.52	1.14	4.83	POLY BAGS		

A

B

C

D

A

B

C

D



Copyright FCI.

www.fciconnect.com			surface ISO 1302 <input checked="" type="checkbox"/>	tolerance std ISO 406 ISO 1101	projection	MM
			TOLERANCES UNLESS OTHERWISE SPECIFIED			
Dr	D.WIHTING	03/08/93	ANGULAR	LINEAR	0.X	±0.3
Eng	T.HANNA	03/08/93			size	A4
Chr	T.BREWNAKER	03/08/93	0°	±2°	0.XXX	±0.05
Appr	T.HANNA	03/08/93	Product family		BERGSTIK	Spec ref
			title		BERGSTIK® II HEADER	
			catalog no		.100/2.54cc DR R/A	
			dwg no		68020	
			Product-Customer Drw		sheet 3 of 5	
			Rev.		BN	

PRODUCT NUMBER	MATING LENGTH	TAIL LENGTH	BEND DIM.	PIN TO SIDE	BODY WIDTH	PACKAGING	LF OPTION
	DIM F	DIM G	DIM H	DIM J	DIM K		
	METRIC	METRIC	METRIC	METRIC	METRIC		
78576-XXY	3.05	3.05	1.52	1.78	6.10	POLY BAGS	OB
78923-XXY	6.10	2.41	1.52	1.78	6.10	POLY BAGS	OB
78951-XXY	12.70	3.05	1.52	1.14	4.83	POLY BAGS	OB
79200-XXY	3.94	7.11	1.52	1.78	6.10	POLY BAGS	OB
79201-XXY	5.72	7.11	1.52	1.78	6.10	POLY BAGS	OB
79202-XXY	6.22	7.11	1.52	1.78	6.10	POLY BAGS	OB
79203-XXY	8.00	7.11	1.52	1.78	6.10	POLY BAGS	OB
79204-XXY	4.50	10.41	1.52	1.78	6.10	POLY BAGS	OB
79205-XXY	6.35	10.41	1.52	1.78	6.10	POLY BAGS	OB
79206-XXY	8.00	10.41	1.52	1.78	6.10	POLY BAGS	OB
79248-XXY		U N A V A I L A B L E					NOTE 1,8
79257-XXY	5.84	3.05	1.52	1.78	6.10	POLY BAGS/TUBES	
79258-XXY	8.08	3.05	1.52	1.78	6.10	POLY BAGS/TUBES	
79807-XXY		U N A V A I L A B L E					
79841-XXY	1.52	5.84	1.52	1.14	4.83	POLY BAGS	OB
86385-XXY	6.6	3.05	1.52	1.78	6.10	POLY BAGS	OB
86840-XXY	8.08	5.84	1.52	1.78	6.10	POLY BAGS	
86867-XXY		U N A V A I L A B L E					
88822-XXY	8.08	2.03	1.52	1.78	6.10	POLY BAGS	OB
89292-XXY	3.05	7.62	3.05	1.14	4.83	POLY BAGS	OB
90234-XXY	3.30	4.95	1.52	1.14	4.83	POLY BAGS	OB
92634-XXY	8.08	8.08	1.52	1.14	4.83	POLY BAGS	
93162-XXY	5.84	10.16	3.81	1.14	4.83	POLY BAGS	OB
93932-XXY	5.08	3.05	1.52	1.78	6.10	POLY BAGS	OB
93939-XXY	4.06	3.05	1.52	1.78	6.10	POLY BAGS	NOTE 1,8
94687-XXYH	10.92	5.84	1.52	1.14	4.83	POLY BAGS	OB
94688-XXYH	9.78	7.11	1.52	1.78	6.10	POLY BAGS	OB

A

B

C

D

A

B

C

D



Copyright FCI.

www.fciconnect.com			surface ISO 1302 <input checked="" type="checkbox"/>	tolerance std ISO 406 ISO 1101	projection	MM
			TOLERANCES UNLESS OTHERWISE SPECIFIED			
Dr	D.WIHTING	03/08/93	ANGULAR	LINEAR	0.X	±0.3
Eng	T.HANNA	03/08/93			size	A4
Chr	T.BREWNAKER	03/08/93	0°	±2°	0.XXX	±0.05
Appr	T.HANNA	03/08/93	Product family		BERGSTIK	Spec ref
			title		BERGSTIK® II HEADER	
					.100/2.54cc DR R/A	
			catalog no		68020	
			Product-Customer Drw		sheet 4 of 5	
					Rev. BN	

PRODUCT NUMBER	MATING LENGTH	TAIL LENGTH	BEND DIM.	PIN TO SIDE	BODY WIDTH	PACKAGING	LF OPTION
	DIM F	DIM G	DIM H	DIM J	DIM K		
	METRIC	METRIC	METRIC	METRIC	METRIC		
95035-XXXH	5.84	10.16	1.52	1.14	4.83	POLY BAGS	OB NOTE 1,8 OB
95182-XXXH	10.16	2.79	1.52	1.78	6.10	POLY BAGS	
98358-XXXH	5.21	10.41	1.52	1.78	6.10	POLY BAGS	
98359-XXXH	6.99	10.41	1.52	1.78	6.10	POLY BAGS	
68020-144-095030LF	9.50	3.00	1.52	1.78	6.10	POLY BAGS	
68020-410-040030LF	4.00	3.00	1.52	1.78	4.83	POLY BAGS	

A

A

B

B

C

C

D

D



Copyright FCI.

www.fciconnect.com			surface ISO 1302 <input checked="" type="checkbox"/>	tolerance std ISO 406 ISO 1101	projection 	MM
TOLERANCES UNLESS OTHERWISE SPECIFIED			ANGULAR		size A4	
Dr	D.WIHTING	03/08/93	LINEAR	0.X	±0.3	Scale 1.000
Eng	T.HANNA	03/08/93		0.XX	±0.15	
Chr	T.BREWNAKER	03/08/93	0° ±2°	0.XXX	±0.05	ECN
Appr	T.HANNA	03/08/93	Product family BERGSTIK		Spec ref	
			title BERGSTIK® II HEADER .100/2.54cc DR R/A		Rev. BN	
catalog no			dwg no 68020		Product-Customer Drw sheet 5 of 5	