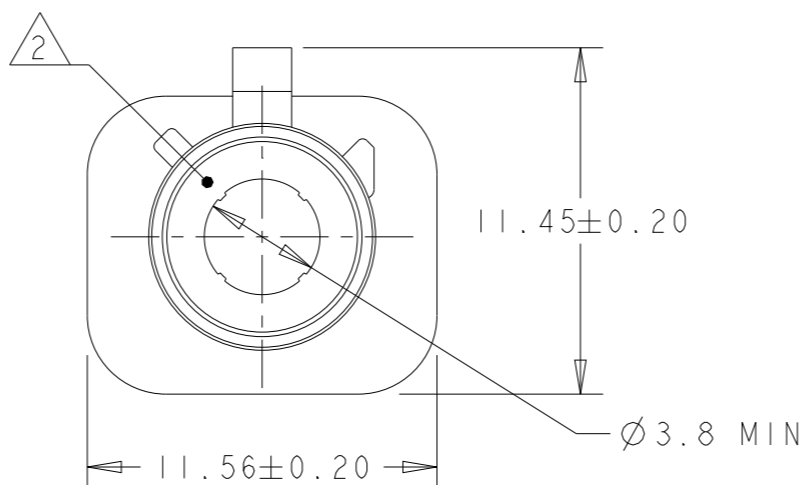
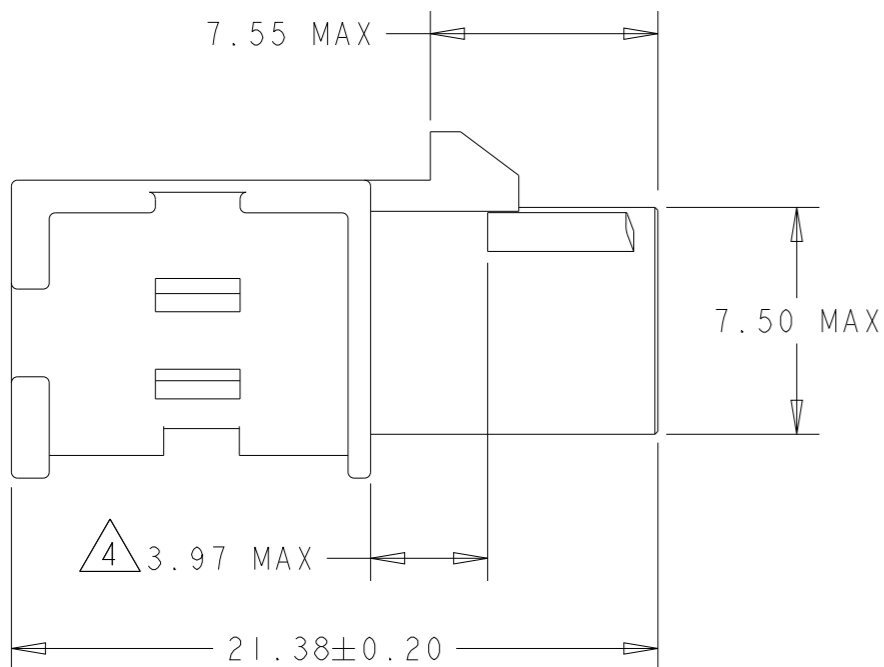


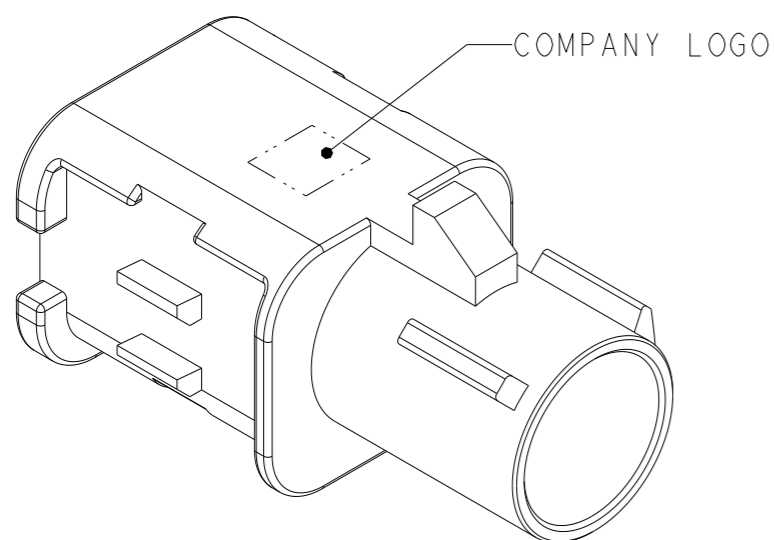
REVISIONS

P	LTR	DESCRIPTION	DATE	DWN	APVD
	A4	REVISED PER ECO-15-009269	25SEP2015	DD	LV
	A5	REVISED PER ECO-16-005357	06APR2016	DD	LV
	A6	REVISED PER ECN-25-353838	12NOV2025	SR	JR




- 1 POLYESTER PBT, COLOR: SEE TABLE.
- 2 JACK HOUSING INTERFACE PER DIN 72594-1, ROAD VEHICLES - RADIO FREQUENCY INTERFACE - DIMENSIONS AND ELECTRICAL REQUIREMENTS.
- 3. SEE INSTRUCTION SHEET 408-10028.
- 4 DIMENSION APPLIES TO ALL CODING RIBS.

PER DETAIL Z	Z	WATER BLUE	2-1438887-1
PER DETAIL N	N	PASTEL GREEN	1-1438887-3
PER DETAIL M	M	PASTEL ORANGE	1-1438887-2
PER DETAIL L	L	CARMINE RED	1-1438887-1
PER DETAIL K	K	CURRY	1-1438887-0
PER DETAIL I	I	BEIGE	1438887-9
PER DETAIL H	H	HEATHER VIOLET	1438887-8
PER DETAIL G	G	BLUE GRAY	1438887-7
PER DETAIL F	F	NUT BROWN	1438887-6
PER DETAIL E	E	LEAF GREEN	1438887-5
PER DETAIL D	D	CLARET VIOLET	1438887-4
PER DETAIL C	C	SIGNAL BLUE	1438887-3
PER DETAIL B	B	SIGNAL WHITE	1438887-2
PER DETAIL A	A	JET BLACK	1438887-1
KEYING	CODING REF	HOUSING COLOR	PART NUMBER



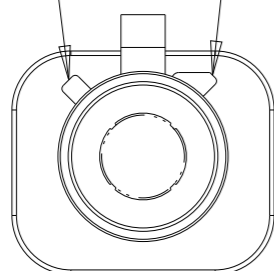
ISOMETRIC VIEW

THIS DRAWING IS A CONTROLLED DOCUMENT.		DWN D. J. HARDY 04JAN2006	 TE Connectivity JACK HOUSING, 1 POSITION, FAKRA, SMB			
DIMENSIONS: mm		CHK J. W. HALL 05JAN2006			NAME	
TOLERANCES UNLESS OTHERWISE SPECIFIED:		APVD J. W. HALL 05JAN2006			PRODUCT SPEC	
0 PLC ±- 1 PLC ±- 2 PLC ±- 3 PLC ±- 4 PLC ±- ANGLES ±- MATERIAL - FINISH -		APPLICATION SPEC 114-13157			WEIGHT -	
		CUSTOMER DRAWING	SIZE A3	CAGE CODE 00779	DRAWING NO 1438887	RESTRICTED TO -
			SCALE 4:1	SHEET 1 OF 3	REV A6	

REVISIONS

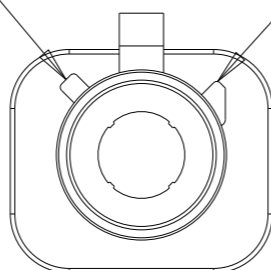
P	LTR	DESCRIPTION	DATE	DWN	APVD
	-	SEE SHEET 1	-	-	-

CODING RIB A CODING RIB B1



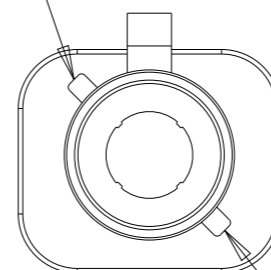
DETAIL A SCALE 3:1

CODING RIB A CODING RIB B2



DETAIL B SCALE 3:1

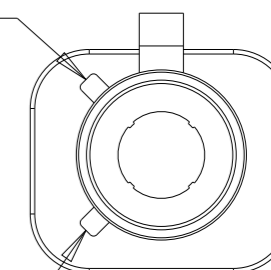
CODING RIB A



DETAIL C SCALE 3:1

CODING RIB C

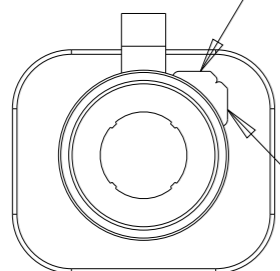
CODING RIB A



DETAIL D SCALE 3:1

CODING RIB D

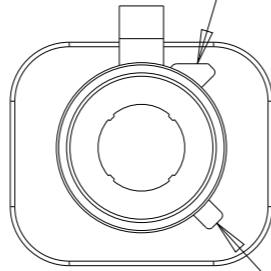
CODING RIB B1



DETAIL E SCALE 3:1

CODING RIB B2

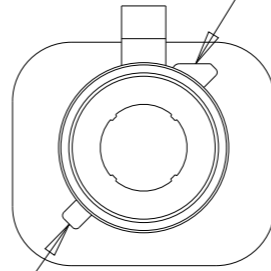
CODING RIB B1



DETAIL F SCALE 3:1

CODING RIB C

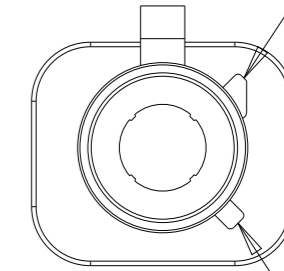
CODING RIB B1



DETAIL G SCALE 3:1

CODING RIB D

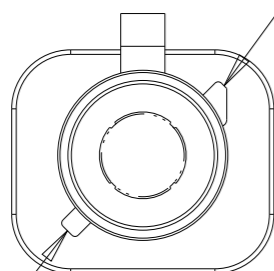
CODING RIB B2



CODING RIB C

DETAIL H SCALE 3:1

CODING RIB B2



CODING RIB D

DETAIL I SCALE 3:1

THIS DRAWING IS A CONTROLLED DOCUMENT.

DWN D. J. HARDY 04 JAN 2006

CHK J. W. HALL 05 JAN 2006

APVD J. W. HALL 05 JAN 2006

PRODUCT SPEC

APPLICATION SPEC 114-13157

WEIGHT -

CUSTOMER DRAWING



TE Connectivity

NAME

JACK HOUSING, 1 POSITION, FAKRA, SMB

SIZE

A3 00779

CAGE CODE

DRAWING NO

C=1438887

RESTRICTED TO

-

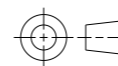
SCALE 4:1

SHEET 2 OF 3

REV A6

DIMENSIONS:

mm



TOLERANCES UNLESS OTHERWISE SPECIFIED:

- 0 PLC ±-
- 1 PLC ±-
- 2 PLC ±-
- 3 PLC ±-
- 4 PLC ±-
- ANGLES ±-
- FINISH -

MATERIAL

-

THIS DRAWING IS UNPUBLISHED.

RELEASED FOR PUBLICATION

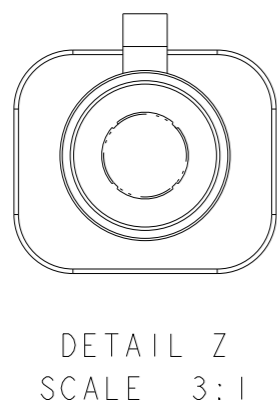
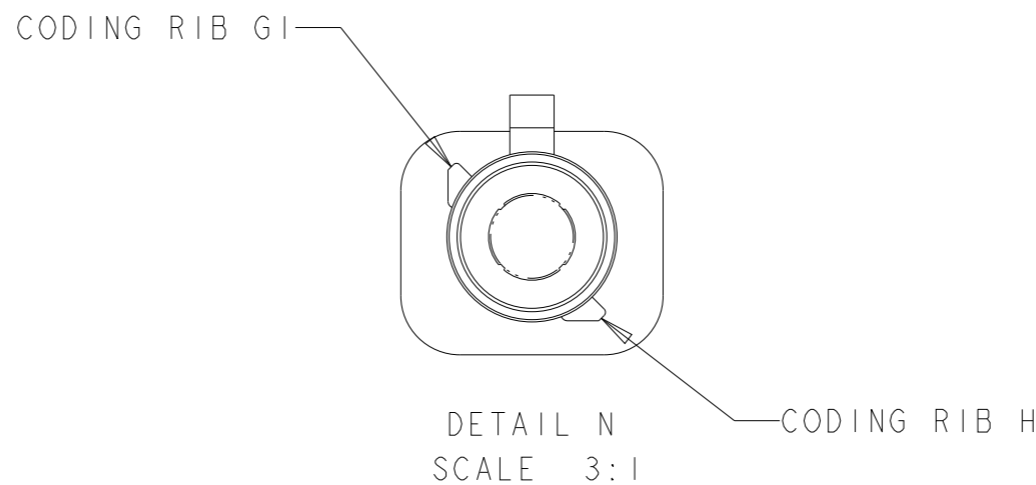
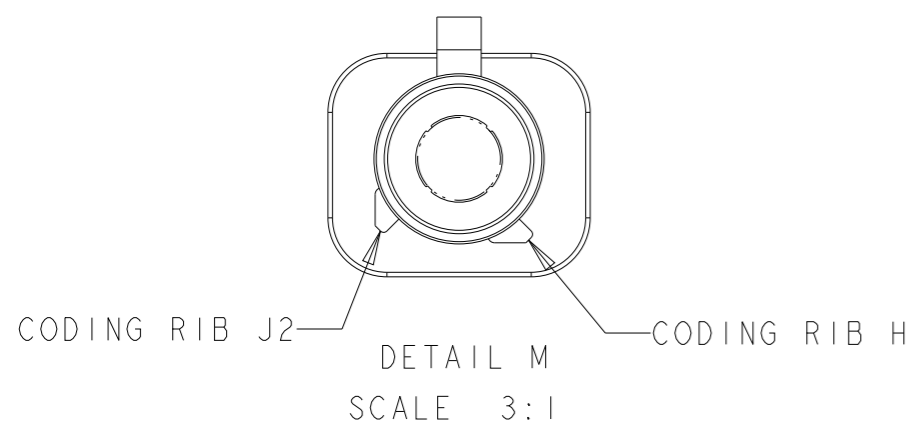
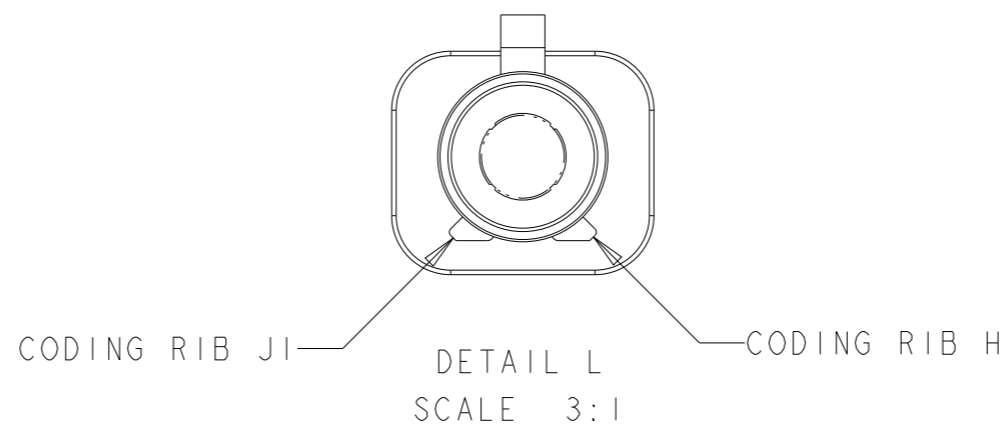
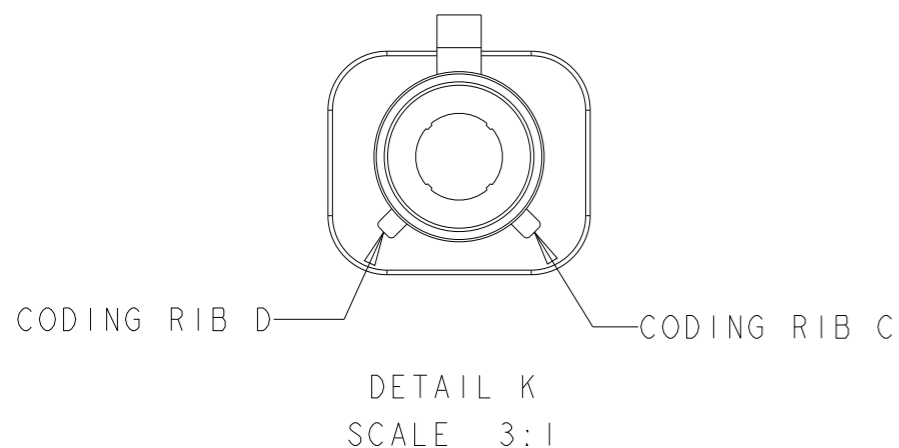
20

© COPYRIGHT 20 BY -

ALL RIGHTS RESERVED.

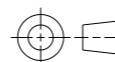
REVISIONS

P	LTR	DESCRIPTION	DATE	DWN	APVD
	-	SEE SHEET 1	-	-	-



THIS DRAWING IS A CONTROLLED DOCUMENT.

DIMENSIONS:
mm



TOLERANCES UNLESS OTHERWISE SPECIFIED:

- 0 PLC ±-
- 1 PLC ±-
- 2 PLC ±-
- 3 PLC ±-
- 4 PLC ±-
- ANGLES ±-
- FINISH -

MATERIAL

-

DWN 04JAN2006

D. J. HARDY

CHK 05JAN2006

J. W. HALL

APVD 05JAN2006

J. W. HALL

PRODUCT SPEC

-

APPLICATION SPEC

114-13157

WEIGHT

-

CUSTOMER DRAWING

NAME



TE Connectivity

JACK HOUSING,
1 POSITION, FAKRA,
SMB

SIZE

A3

CAGE CODE

DRAWING NO

00779 C-1438887

RESTRICTED TO

-

SCALE 4:1

SHEET 3 OF 3

REV A6