

SCNRF - 6AAP - SAFR

SUNTSU

CONNECTOR

RF

MAXIMUM FREQUENCY
6 GHz

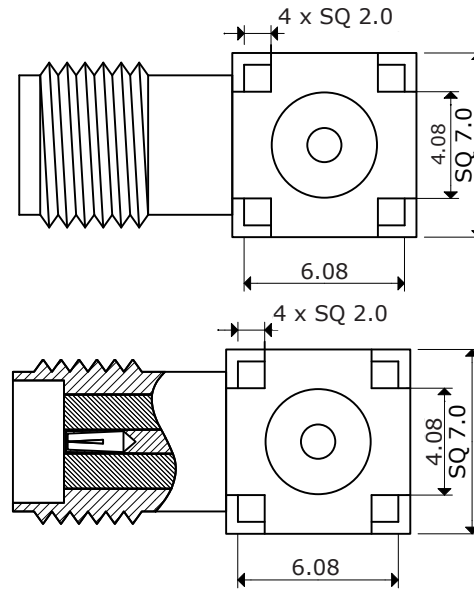
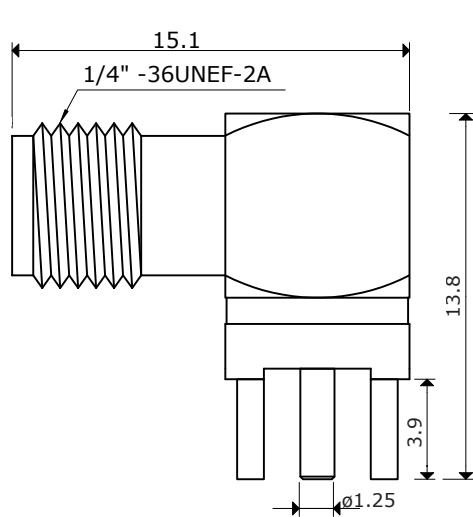
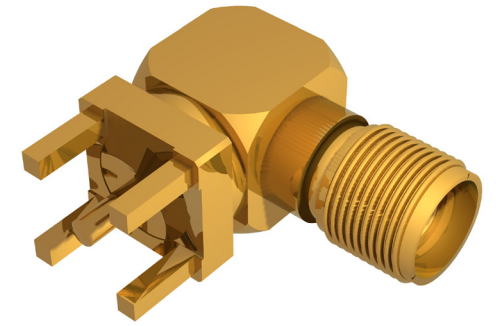
IMPEDANCE
50Ω

MOUNT TYPE
PCB
Through Hole

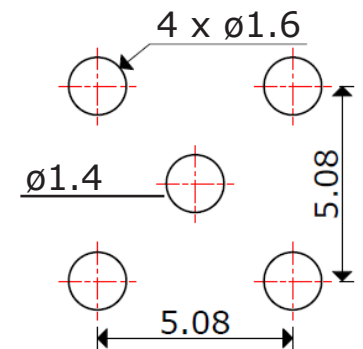
CONNECTOR TYPE
SMA

GENDER
Female

ORIENTATION
Right Angle



**Recommended
Mounting
Layout**



Impedance: 50Ω
 Frequency Range: 0GHz - 6GHz
 Voltage Standing Wave Ratio (VSWR): 1.5 MAX
 Working Voltage: 170 Vrms MAX
 Dielectric Withstanding Voltage: 500 Vrms MAX
 Operating Temperature: -55°C to 85°C
 Storage Temperature: -60°C to 165°C
 Center Contact Resistance: 3 mΩ MAX
 Outer Contact Resistance: 2 mΩ MAX
 Insulation Resistance: 2000 MΩ MIN



**SMA PCB MOUNT FEMALE
RIGHT ANGLE CONNECTOR**

Document History			
Edits Made	Date	Edited By	Approved By
Initial Release	02/02/2021	B. Gibbons	KH Mun

Part No.	SCNRF-6AAP-SAFR	Drawn	B. Gibbons 02/02/2021
Scale	Not drawn to scale	Tolerance	
Unit	mm	Pages	