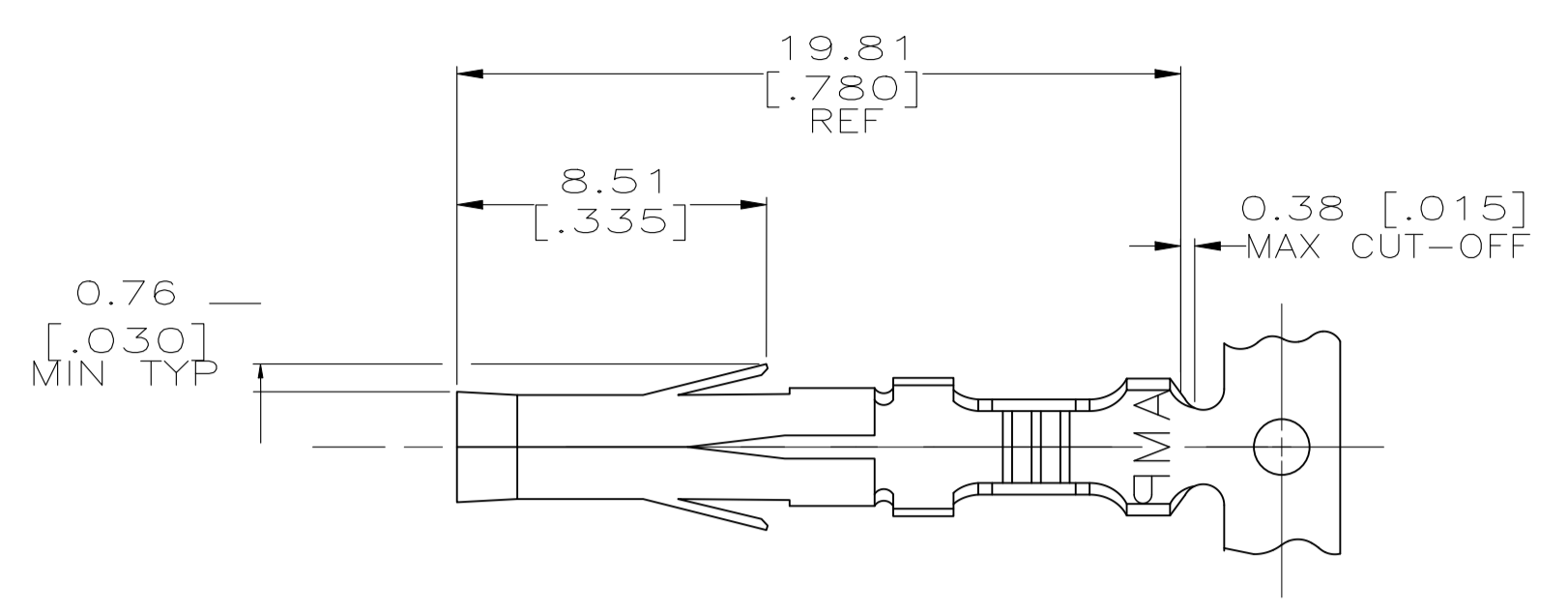
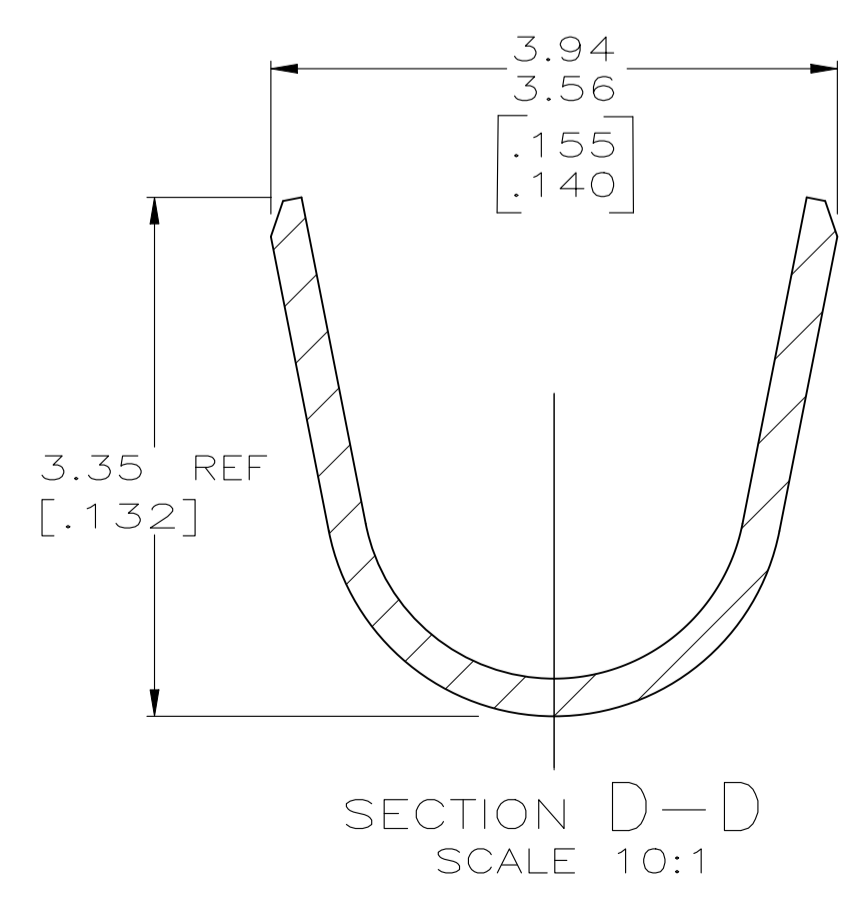
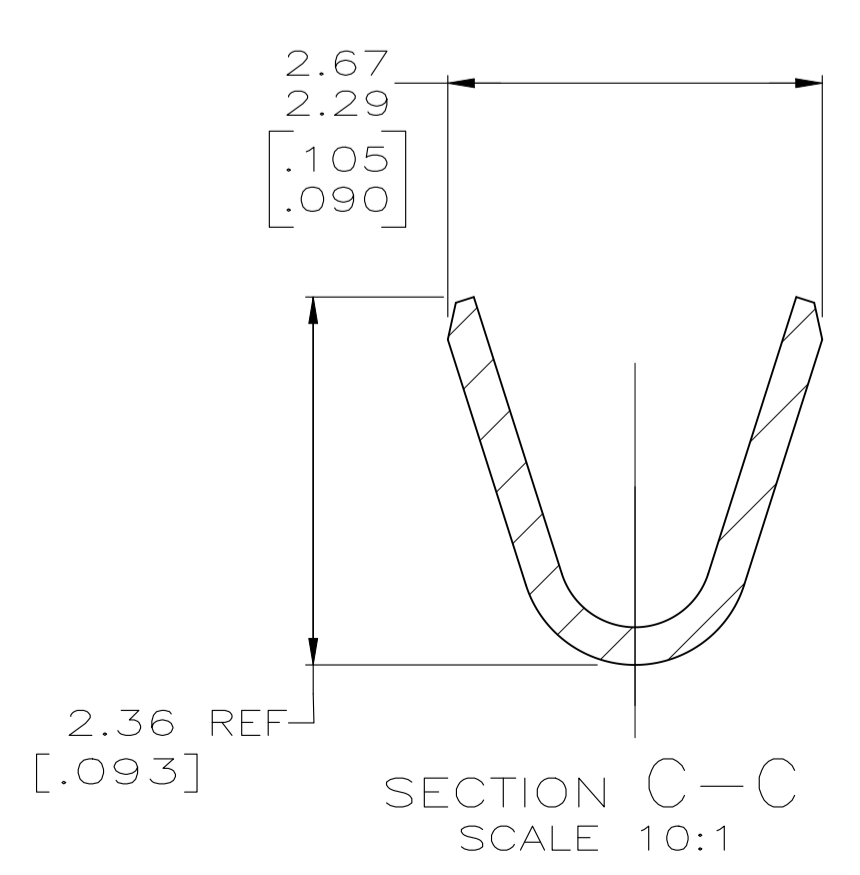
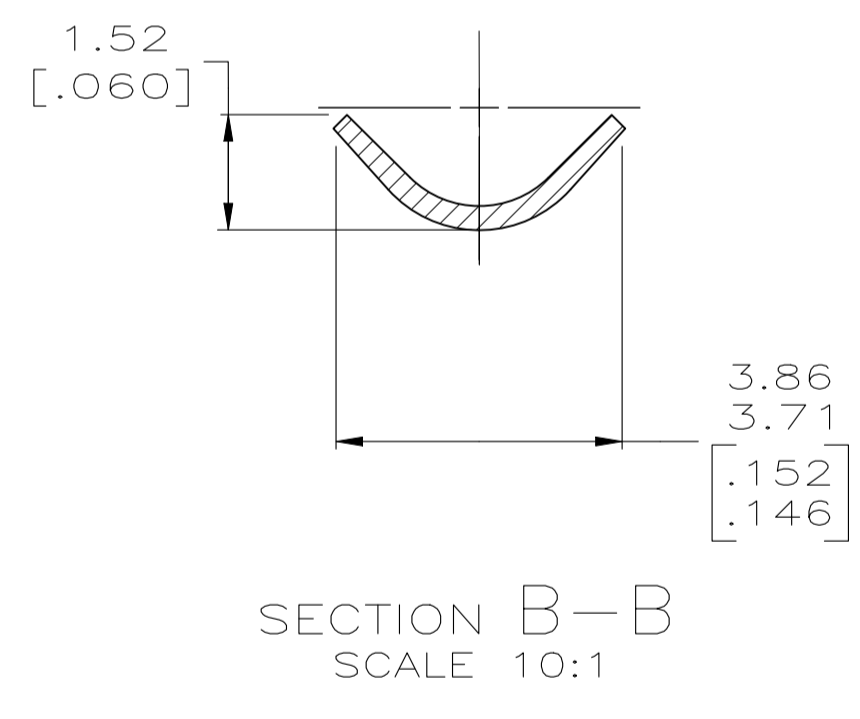
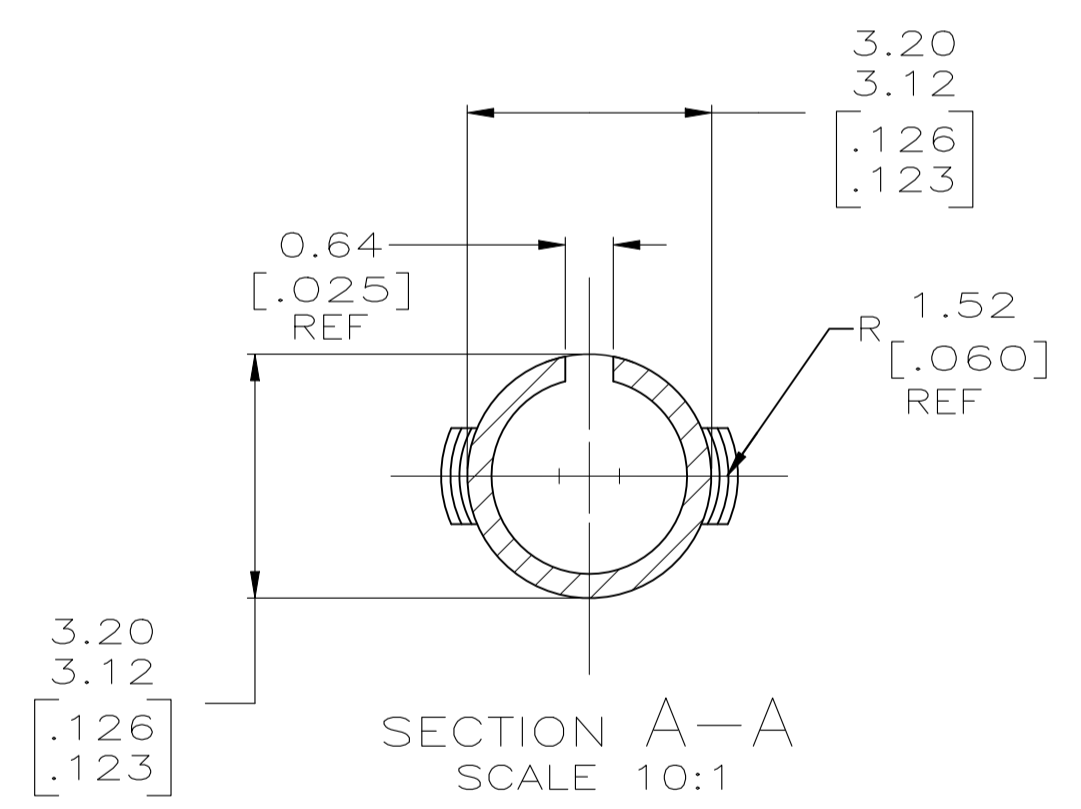
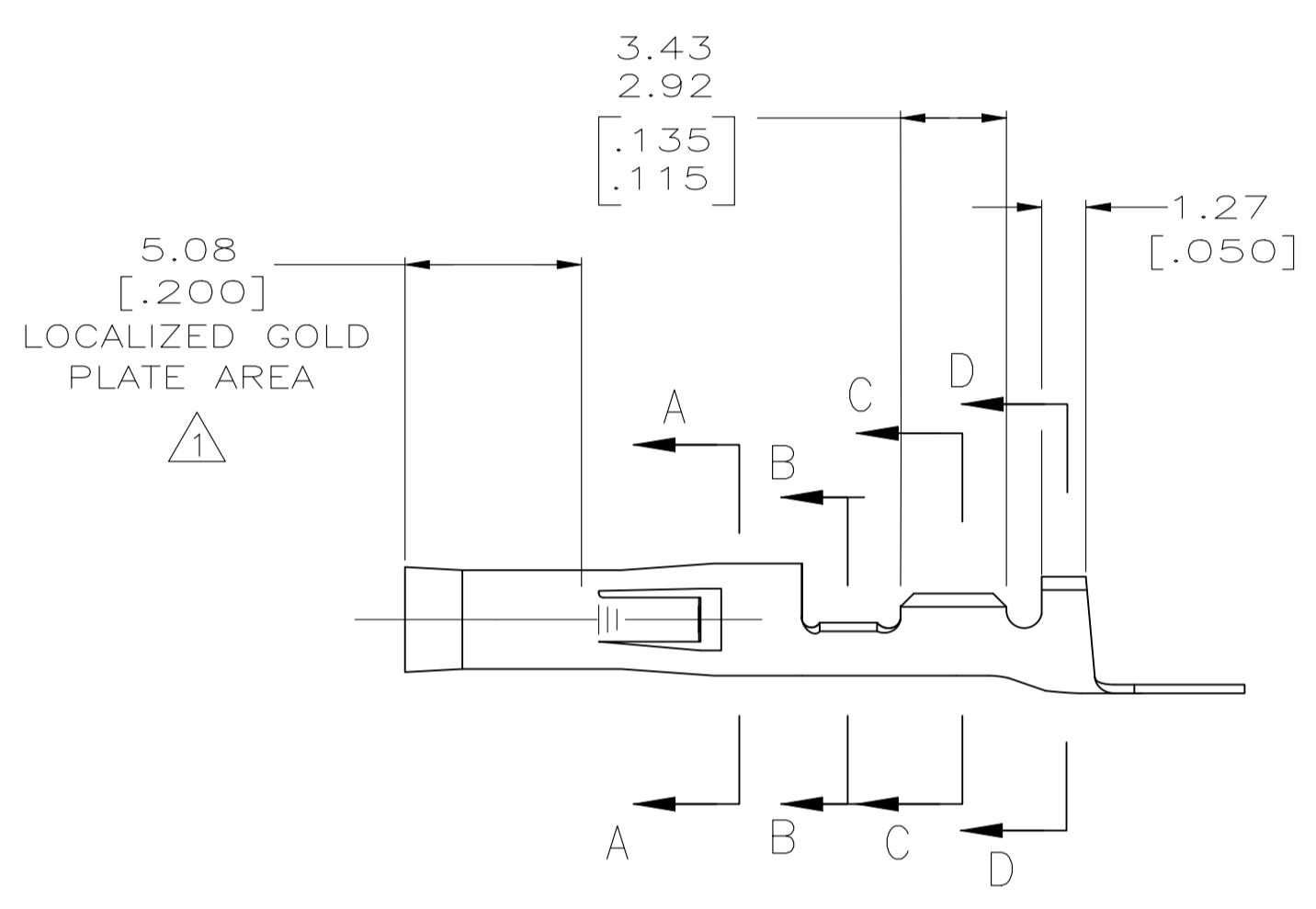
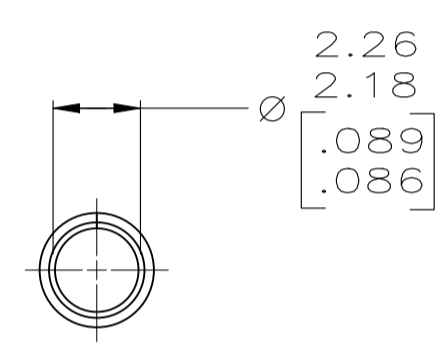


REVISIONS				
REV	DESCRIPTION	DATE	BY	APP'D
AP4	ECN-25-354600	03DEC2025	CK	MK



- ① 0.000762 [.000030] MIN GOLD IN LOCALIZED GOLD PLATE AREA OVER 0.00127 [.000050] MIN NICKEL.
- 2 WIRE RANGE: 0.3 - 0.84mm² (24-18 AWG).
- 3 INSULATION RANGE: 2.79 [.110] MAX. DIA.
- 4 DIMENSIONS IN BRACKETS ARE IN INCHES.
- ⑤ 0.00127 [.000050] MIN NICKEL



METRIC

	⑤	0.25 [.010] PH BRZ	350417-8
		GOLD STRIPE	0.25 [.010] BRASS 350417-5
OBSOLETE	①	0.25 [.010] BRASS	350417-3
		PRE-TIN	0.25 [.010] BRASS 350417-1
		FINISH	MATERIAL PART NO

THIS DRAWING IS A CONTROLLED DOCUMENT.		DIN K WHITAKER 22NOV2005	STE TE Connectivity	
DIMENSIONS: mm [INCHES]		CK D COLEY 22NOV2005		
TOLERANCES UNLESS OTHERWISE SPECIFIED:		APVD D COLEY 22NOV2005	NAME .093 SOCKET	
0. PLC ± -		PRODUCT SPEC 108-1038	COMMERCIAL PIN AND SOCKET	
1. PLC ± -		APPLICATION SPEC 114-49000	SIZE	CAGE CODE DRAWING NO
2. PLC ± -		ANGLES ± 0.13 [.005]	RESTRICTED TO	
3. PLC ± -			WEIGHT 0.000000	A1 00779 C=350417
4. PLC ± -			CUSTOMER DRAWING	SCALE N/A SHEET 1 of 1 REV AP4