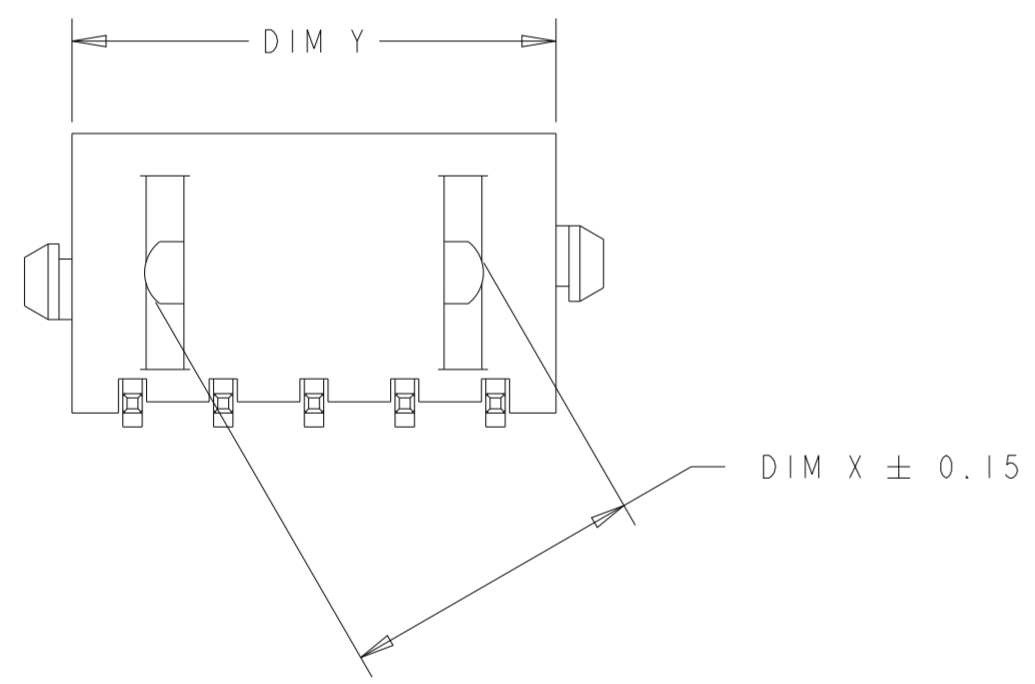
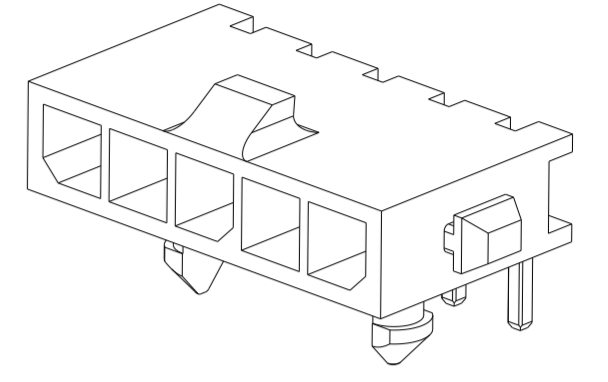
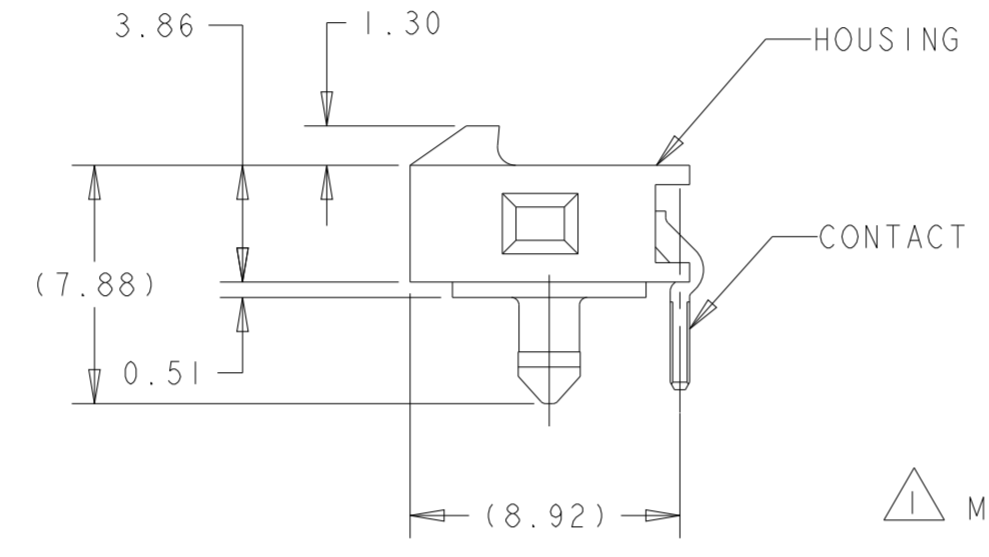
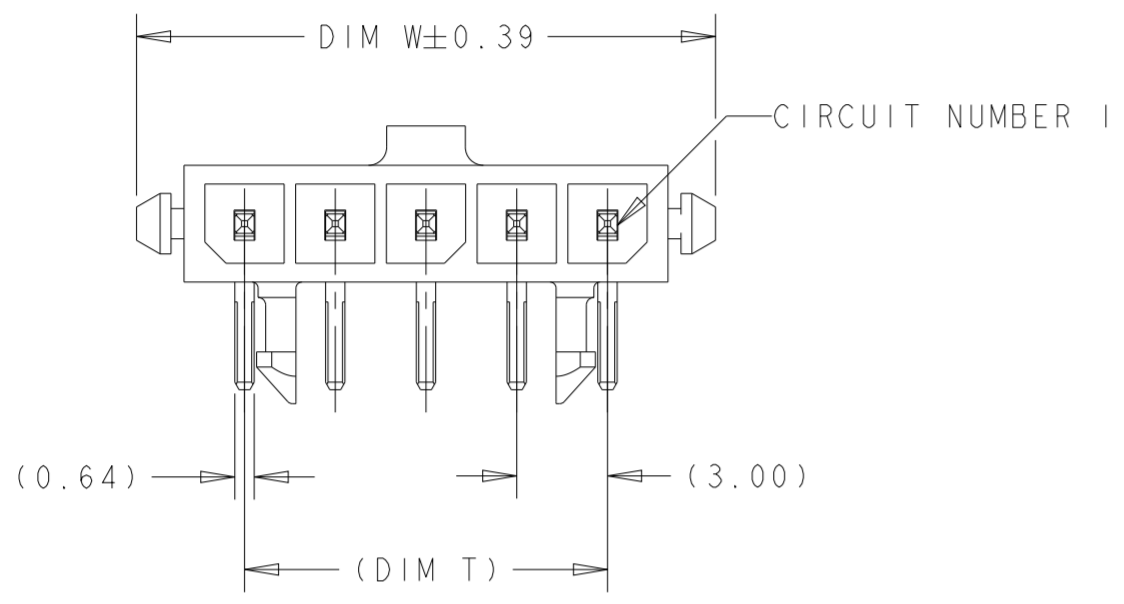


THIS DRAWING IS UNPUBLISHED. RELEASED FOR PUBLICATION 2011  
 © COPYRIGHT 2011 ALL RIGHTS RESERVED.

LOC	DIST	REVISIONS					
CM	00	P	LTR	DESCRIPTION	DATE	DWN	APVD
		B2		REVISED PER ECN-23-242776	14DEC2023	WLS	VS
		B3		REVISED PER ECN-25-316179	09MAY2025	WLS	JP



- 1 MATERIAL: HOUSING - UL 94V-0 RATED HIGH TEMP., NYLON, COLOR BLACK.  
CONTACTS - BRASS
- 2 RECOMMENDED PC BOARD THICKNESS OF 1.57.
- 3 PLATING: CONTACTS - 0.38µm MINIMUM GOLD.  
OR  
0.0762µm MINIMUM GOLD FLASH OVER 0.31µm MINIMUM PALLADIUM NICKEL,  
ON MATING AREA PER TE CONNECTIVITY'S DISCRETION,  
2.54µm MINIMUM MATTE TIN ON SOLDER TAILS.  
ALL OVER 1.27µm MINIMUM NICKEL.
- 4 COUNTERPART RECOMENDED IS PN 1445022 9DASH ACCORDING TO NUMBER OF POSITION).
- 5 FOR REELING DIRECTION AND PACKAGING TYPE, SEE SPECIFICATION 114-13000.

OBSOLETE	-32.20	37.00	28.70	33.00	40.14	12	3-1445089-2
OBSOLETE	-29.20	34.00	25.70	30.00	37.14	11	3-1445089-1
OBSOLETE	-26.20	31.00	22.70	27.00	34.14	10	3-1445089-0
OBSOLETE	-23.20	28.00	19.70	24.00	31.14	9	2-1445089-9
OBSOLETE	-20.20	25.00	16.70	21.00	28.14	8	2-1445089-8
OBSOLETE	-17.20	22.00	13.70	18.00	25.14	7	2-1445089-7
OBSOLETE	-14.20	19.00	10.70	15.00	22.14	6	2-1445089-6
OBSOLETE	-11.20	16.00	7.70	12.00	19.14	5	2-1445089-5
	8.00	13.00	4.70	9.00	16.14	4	2-1445089-4
	3.30	10.00	-	6.00	13.14	3	2-1445089-3
OBSOLETE	-3.30	7.00	-	3.00	10.14	2	2-1445089-2
	DIM X	DIM Y	DIM V	DIM Z	DIM W	NO. OF POSN	PART NUMBER

THIS DRAWING IS A CONTROLLED DOCUMENT.

DWN: J. ROOT 09OCT2000  
 CHK: K. WHITAKER 17-APR-2001  
 APVD: C. JONES 17-APR-2001

**STE** TE Connectivity

DIMENSIONS: mm  
 TOLERANCES UNLESS OTHERWISE SPECIFIED:  
 0 PLC ±  
 1 PLC ±  
 2 PLC ±0.20  
 3 PLC ±  
 4 PLC ±  
 ANGLES ±1°  
 FINISH

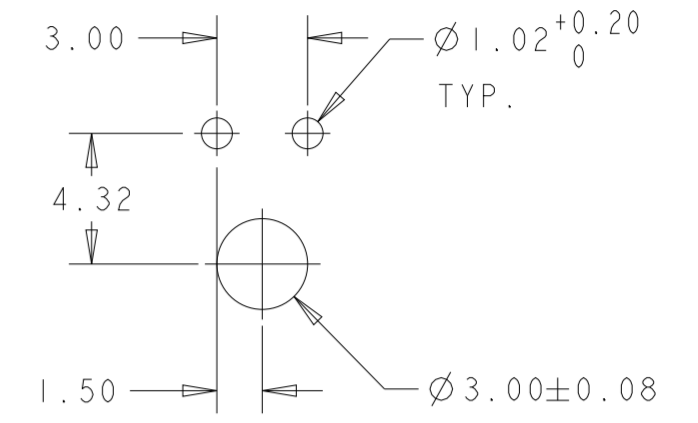
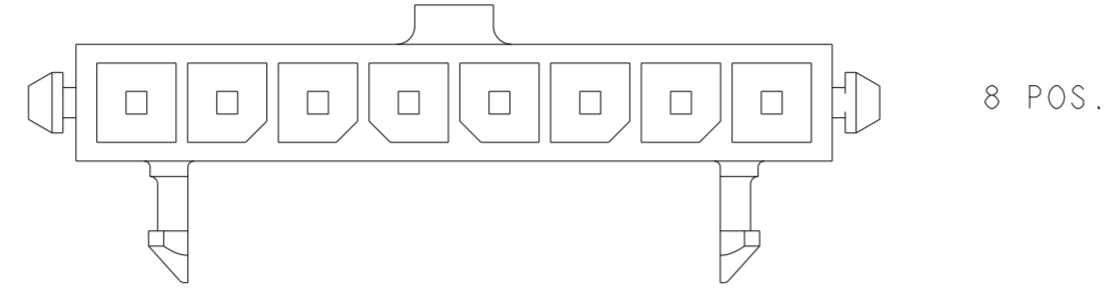
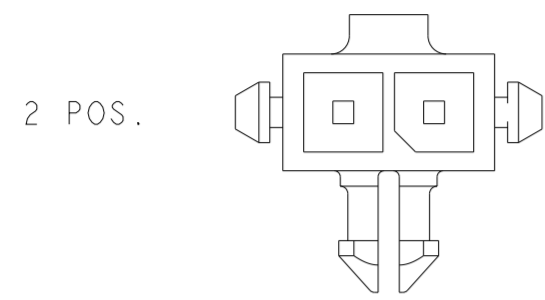
PRODUCT SPEC: 108-1836  
 APPLICATION SPEC: 114-13000  
 WEIGHT: -

NAME: RIGHT ANGLE THRU HOLE HEADER ASSY, 0.38Au or 0.31PdNi CNTC, W/PLASTIC HOLDDOWNS, SGL ROW, MICRO MATE-N-LOK™  
 SIZE: A2  
 CAGE CODE: 00779  
 DRAWING NO: C-1445089  
 RESTRICTED TO: -

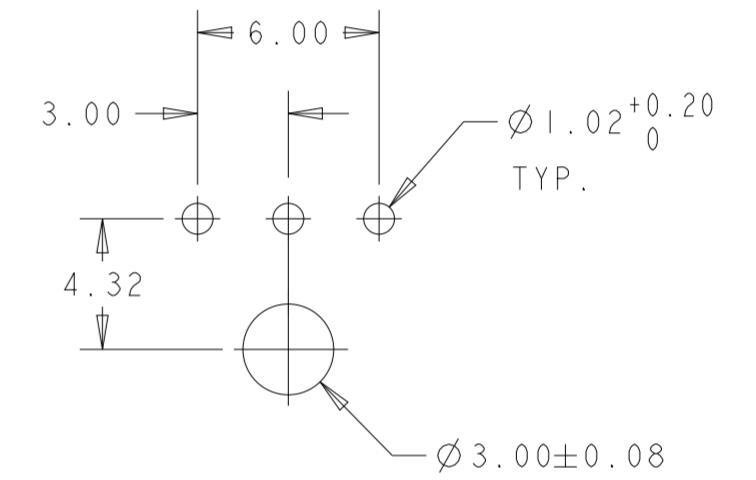
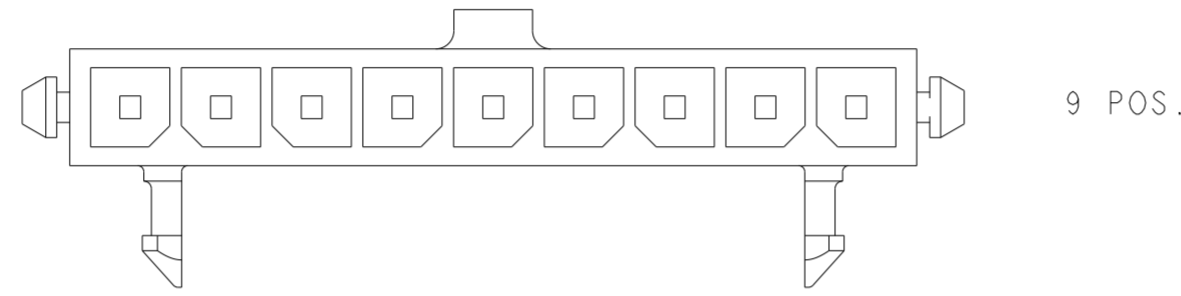
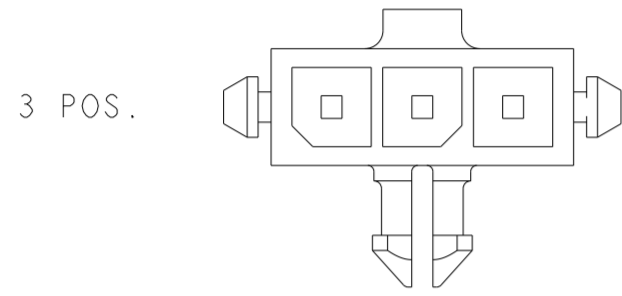
CUSTOMER DRAWING SCALE: 4:1 SHEET 1 OF 2 REV: B3

THIS DRAWING IS UNPUBLISHED. RELEASED FOR PUBLICATION 2011  
 © COPYRIGHT 2011 ALL RIGHTS RESERVED.

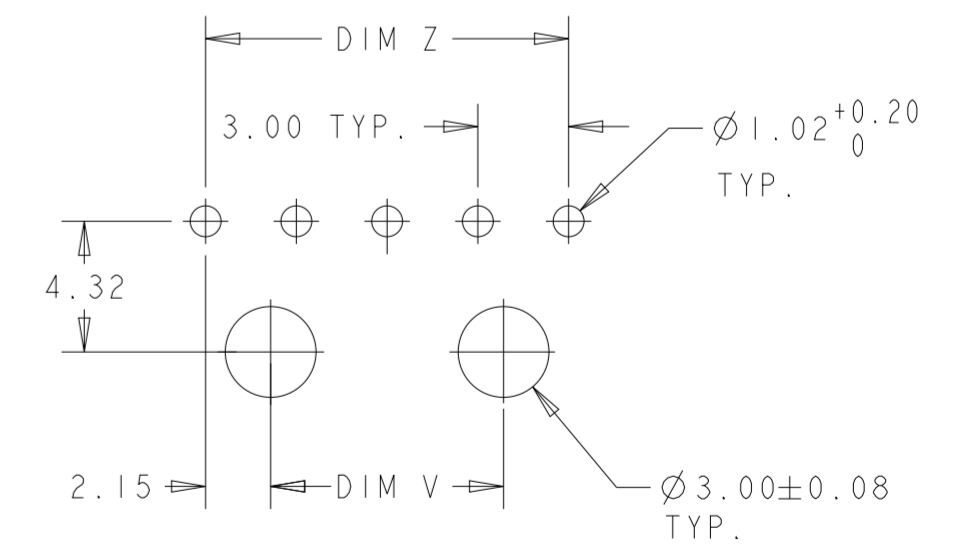
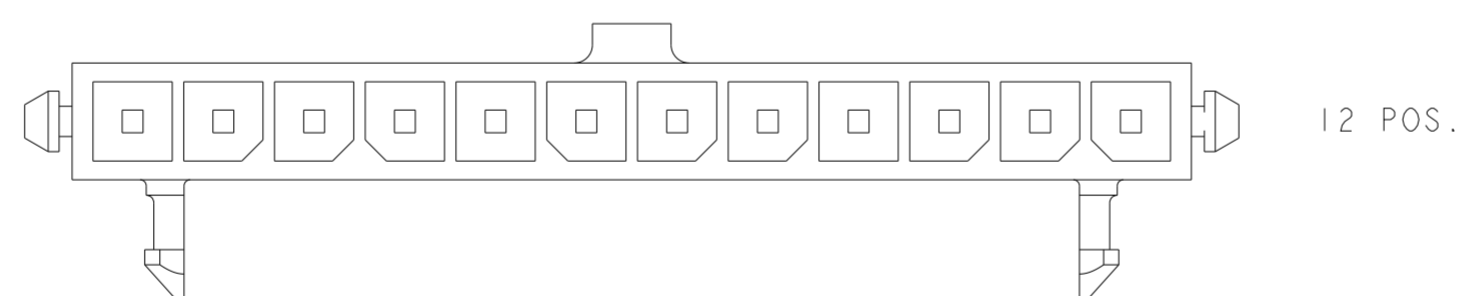
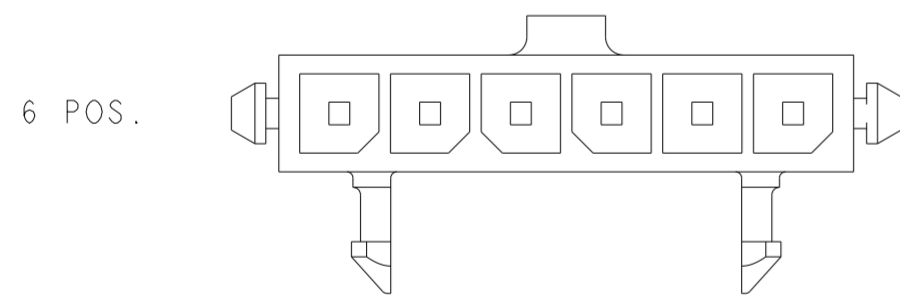
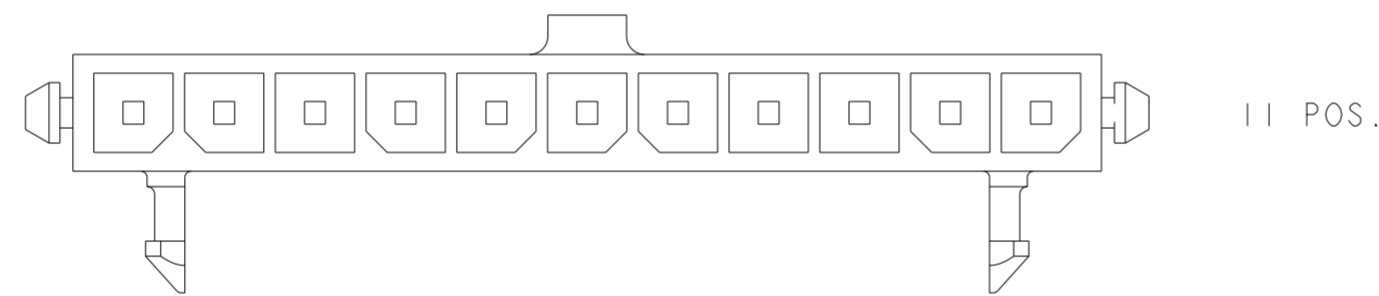
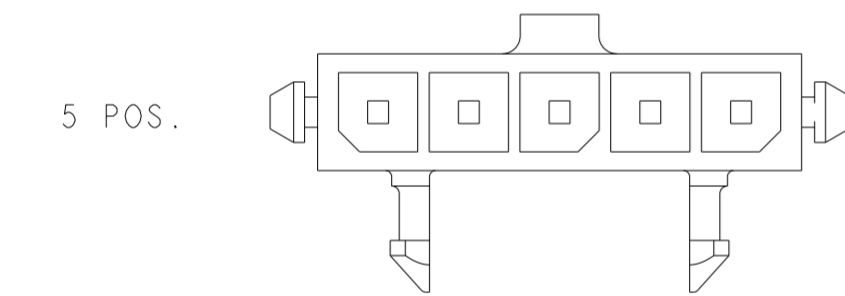
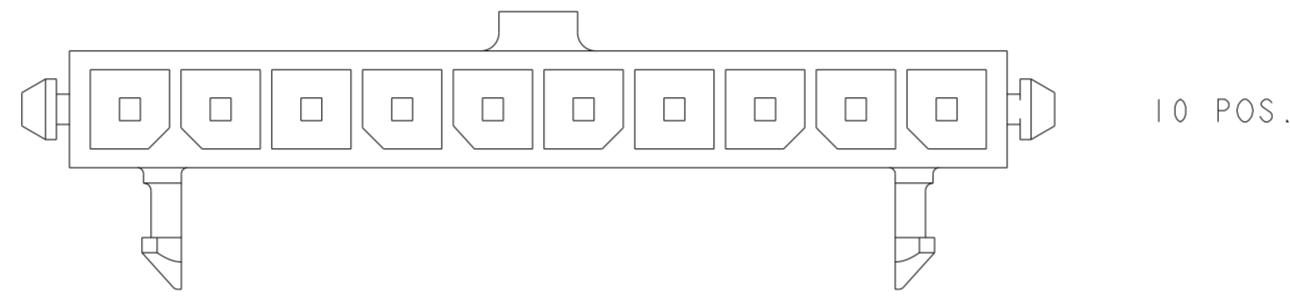
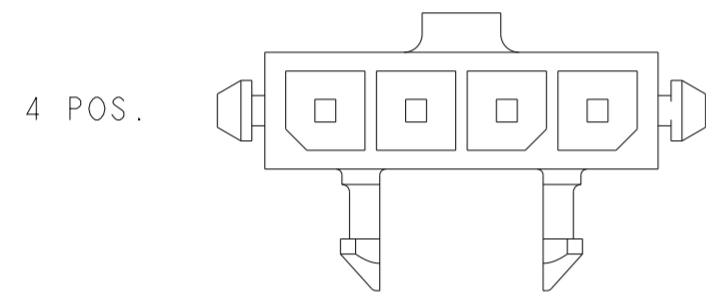
LOC	DIST	REVISIONS					
CM	00	P	LTR	DESCRIPTION	DATE	DWN	APVD
		-		SEE SHEET 1	-	-	-



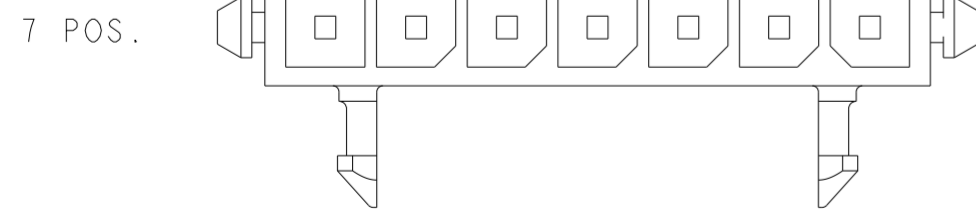
PCB LAYOUT FOR 2 POSITION  $\Delta$



PCB LAYOUT FOR 3 POSITION  $\Delta$



PCB LAYOUT FOR 4-12 POSITION  $\Delta$



KEYING POSITION BI SIZE

THIS DRAWING IS A CONTROLLED DOCUMENT.		DWN J. ROOT 09OCT2000	TE Connectivity			
DIMENSIONS: mm		CHK K. WHITAKER 17-APR-2001				
TOLERANCES UNLESS OTHERWISE SPECIFIED:		APVD C. JONES 17-APR-2001	NAME RIGHT ANGLE THRU HOLE HEADER ASSY, 0.38Au or 0.31PdNi CNTC, W/PLASTIC HOLDDOWNS, SGL ROW, MICRO MATE-N-LOK™			
		PRODUCT SPEC 108-1836	SIZE A2	CAGE CODE 00779	DRAWING NO C-1445089	RESTRICTED TO -
MATERIAL		APPLICATION SPEC 114-13000	SCALE 4:1	SHEET 2	OF 2	REV B3
		WEIGHT -	CUSTOMER DRAWING			