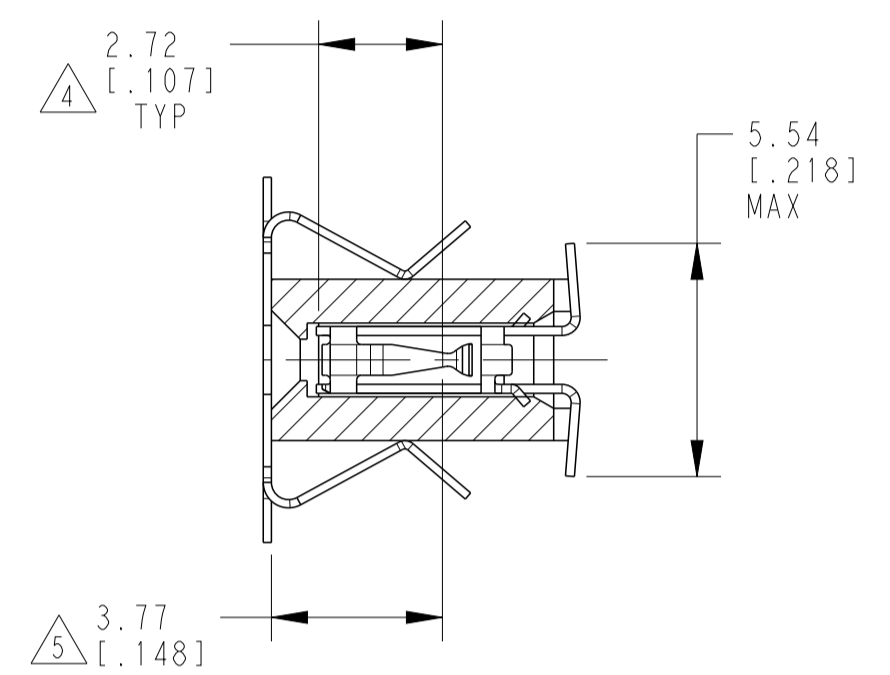
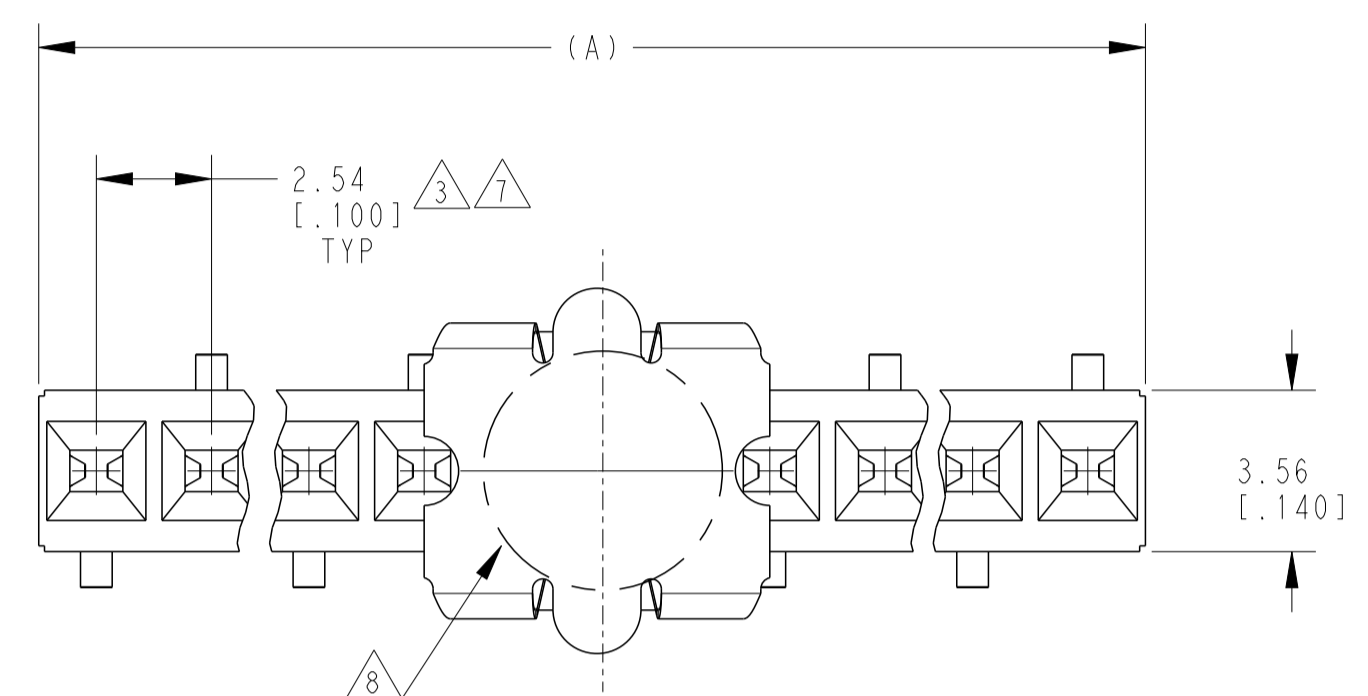
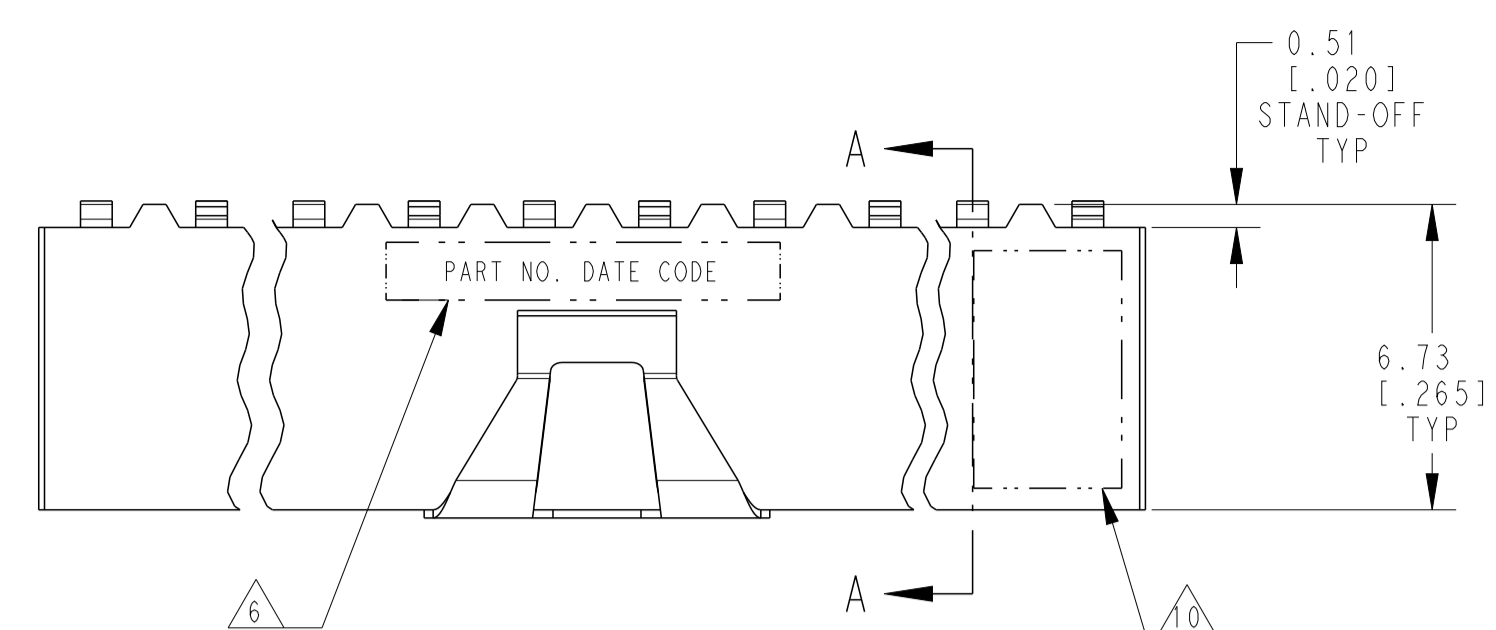
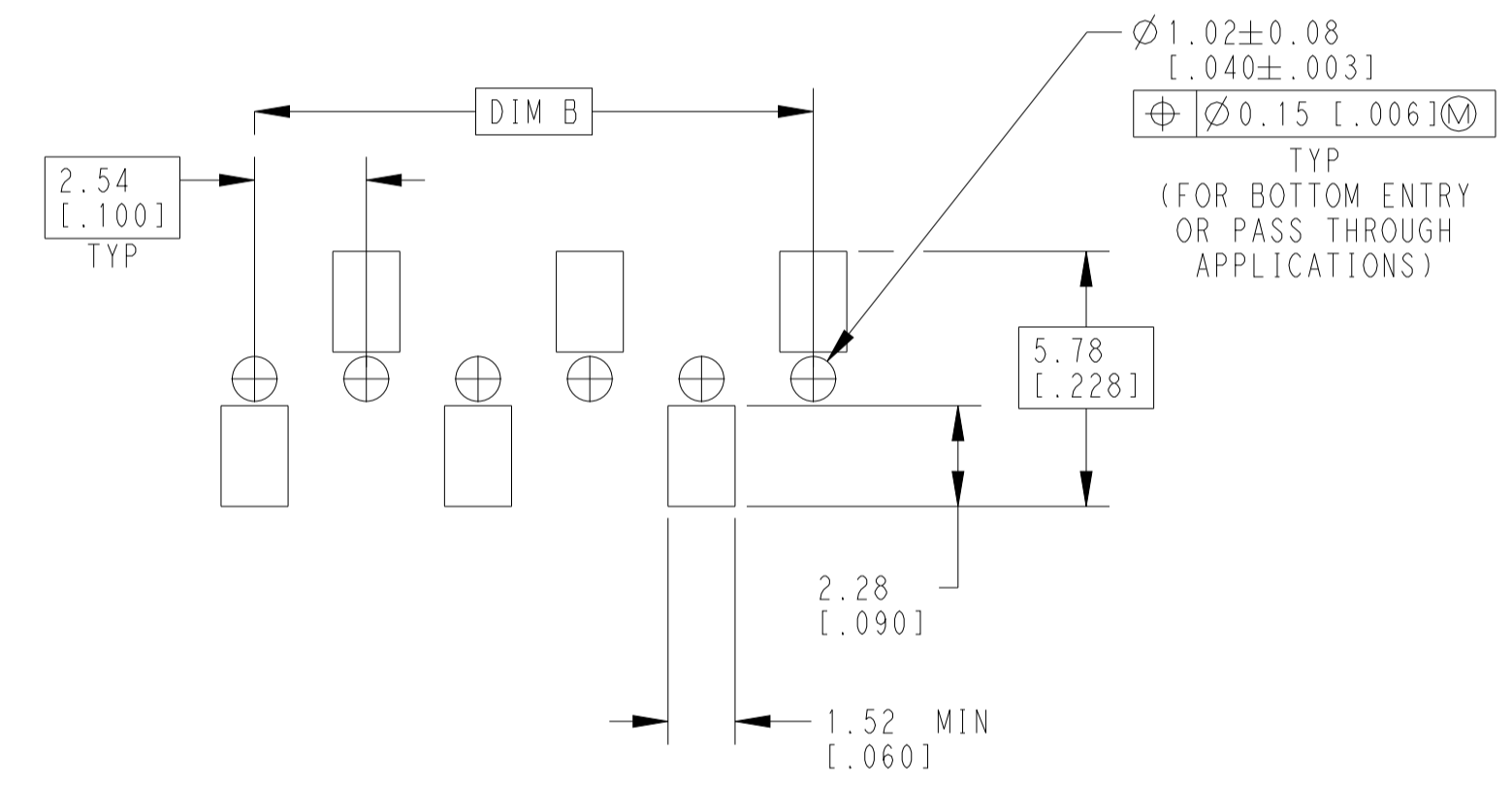


REVISIONS					
P	LTN	DESCRIPTION	DATE	OWN	APVD
K		RESIN SUPPLIER CHANGE FOR THE HOUSING	02DEC2021	SCB	KJK
L		WIDTH OF STANDOFF FEATURE IS INCREASED TO 0.11 (0.028)	19FEB2026	RS	GVP



SECTION A-A



RECOMMENDED PC BOARD PAD PATTERN
0.20 [.008] THICK STENCIL

- 1 HOUSING: GLASS FILLED, FLAME RETARDANT POLYESTER, BLACK CONTACTS: PHOSPHOR BRONZE, VACUUM COVER: STAINLESS STEEL
- 2 CONTACTS: DUPLEX PLATED 0.00076[.000030] MIN GOLD IN CONTACT AREA, 0.00381-0.00762 [.000150 - .000300] BRIGHT TIN-LEAD ON LEADS, ALL OVER 0.00127[.000050] MINIMUM NICKEL.
- 3 THESE DIMENSIONS PERTAIN TO CAVITY CENTERLINES ONLY. NOT TO CONTACT LOCATION
- 4 POINT OF MEASUREMENT FOR PLATING THICKNESS.
- 5 POINT OF CONTACT DIMENSION.
- 6 MARK PART NUMBER AND DATE CODE IN APPROXIMATE LOCATION SHOWN, EITHER SIDE.
- 7 TOLERANCE IS NON-CUMULATIVE.
- 8 5.2 [.205] MIN TARGET AREA FOR VACUUM PICK-UP COVERS TO BE REMOVED AFTER SOLDERING.
- 9 FOR 2 POS, DATE CODE IS STAMPED OPPOSITE SIDE OF TE LOGO.
- 10 TE LOGO AND CSA LOGO ARE MOLDED INTO HOUSING.
- 11 NO PART NUMBER MARKING REQUIRED ON THIS PART.
- 12 CONTACT: DUPLEX PLATED 0.00076[.000030] MIN GOLD IN CONTACT AREA, 0.00381-0.00762[.000150 - .000300] MATTE TIN ON LEADS, ALL OVER 0.00127[.000050] MINIMUM NICKEL.
- 13 ROHS 2002/95/EC COMPLIANT
- 14 OBSOLETE

SUPERCEDED BY 6-147723-9

SUPERCEDED BY 6-147723-5

14	13	12	11	10	9	8	7	6	5	4	3	2	1
120mm	99.06[3.900]	101.61[4.000]	40	△	△	△	△	△	△	△	△	△	3-147723-9
	96.52[3.800]	99.06[3.900]	39	△	△	△	△	△	△	△	△	△	3-147723-8
	93.98[3.700]	96.52[3.800]	38	△	△	△	△	△	△	△	△	△	3-147723-7
	91.44[3.600]	93.98[3.700]	37	△	△	△	△	△	△	△	△	△	3-147723-6
	88.90[3.500]	91.44[3.600]	36	△	△	△	△	△	△	△	△	△	3-147723-5
	86.36[3.400]	88.90[3.500]	35	△	△	△	△	△	△	△	△	△	3-147723-4
	83.82[3.300]	86.36[3.400]	34	△	△	△	△	△	△	△	△	△	3-147723-3
	81.28[3.200]	83.82[3.300]	33	△	△	△	△	△	△	△	△	△	3-147723-2
	78.74[3.100]	81.28[3.200]	32	△	△	△	△	△	△	△	△	△	3-147723-1
	76.20[3.000]	78.74[3.100]	31	△	△	△	△	△	△	△	△	△	3-147723-0
	73.66[2.900]	76.20[3.000]	30	△	△	△	△	△	△	△	△	△	2-147723-9
	71.12[2.800]	73.66[2.900]	29	△	△	△	△	△	△	△	△	△	2-147723-8
	68.58[2.700]	71.12[2.800]	28	△	△	△	△	△	△	△	△	△	2-147723-7
	66.04[2.600]	68.58[2.700]	27	△	△	△	△	△	△	△	△	△	2-147723-6
	63.50[2.500]	66.04[2.600]	26	△	△	△	△	△	△	△	△	△	2-147723-5
	60.96[2.400]	63.50[2.500]	25	△	△	△	△	△	△	△	△	△	2-147723-4
	58.42[2.300]	60.96[2.400]	24	△	△	△	△	△	△	△	△	△	2-147723-3
	55.88[2.200]	58.42[2.300]	23	△	△	△	△	△	△	△	△	△	2-147723-2
	53.34[2.100]	55.88[2.200]	22	△	△	△	△	△	△	△	△	△	2-147723-1
	50.80[2.000]	53.34[2.100]	21	△	△	△	△	△	△	△	△	△	2-147723-0
	48.26[1.900]	50.80[2.000]	20	△	△	△	△	△	△	△	△	△	1-147723-9
	45.72[1.800]	48.26[1.900]	19	△	△	△	△	△	△	△	△	△	1-147723-8
	43.18[1.700]	45.72[1.800]	18	△	△	△	△	△	△	△	△	△	1-147723-7
	40.64[1.600]	43.18[1.700]	17	△	△	△	△	△	△	△	△	△	1-147723-6
38.10[1.500]	40.64[1.600]	16	△	△	△	△	△	△	△	△	△	1-147723-5	
35.56[1.400]	38.10[1.500]	15	△	△	△	△	△	△	△	△	△	1-147723-4	
33.02[1.300]	35.56[1.400]	14	△	△	△	△	△	△	△	△	△	1-147723-3	
30.48[1.200]	33.02[1.300]	13	△	△	△	△	△	△	△	△	△	1-147723-2	
27.94[1.100]	30.48[1.200]	12	△	△	△	△	△	△	△	△	△	1-147723-1	
25.40[1.000]	27.94[1.100]	11	△	△	△	△	△	△	△	△	△	1-147723-0	
22.86[.900]	25.40[1.000]	10	△	△	△	△	△	△	△	△	△	147723-9	
20.32[.800]	22.86[.900]	9	△	△	△	△	△	△	△	△	△	147723-8	
17.78[.700]	20.32[.800]	8	△	△	△	△	△	△	△	△	△	147723-7	
15.24[.600]	17.78[.700]	7	△	△	△	△	△	△	△	△	△	147723-6	
12.70[.500]	15.24[.600]	6	△	△	△	△	△	△	△	△	△	147723-5	
10.16[.400]	12.70[.500]	5	△	△	△	△	△	△	△	△	△	147723-4	
7.62[.300]	10.16[.400]	4	△	△	△	△	△	△	△	△	△	147723-3	
5.08[.200]	7.62[.300]	3	△	△	△	△	△	△	△	△	△	147723-2	
2.54[.100]	5.08[.200]	2	△	△	△	△	△	△	△	△	△	147723-1	
OBSOLETE	24mm												
	EIA TAPE WIDTH	B	A	NO. OF POSN	FINISH								PART NUMBER

THIS DRAWING IS A CONTROLLED DOCUMENT.

TE Connectivity

REC. ASSY., MOD IV, SR, .100 CL SURFACE MOUNT, VERTICAL, DUAL ENTRY CLOSED ENTRY

00779 C=147723

SCALE 6:1 SHEET 1 OF 2 REV L

REVISIONS					
P	LTN	DESCRIPTION	DATE	OWN	APVD
-		SEE SHEET 1	-	-	-

120mm	99.06[3.900]	101.6[4.000]	40	△	△	8-147723-9
	96.52[3.800]	99.06[3.900]	39	△	△	8-147723-8
	93.98[3.700]	96.52[3.800]	38	△	△	8-147723-7
	91.44[3.600]	93.98[3.700]	37	△	△	8-147723-6
	88.90[3.500]	91.44[3.600]	36	△	△	8-147723-5
	86.36[3.400]	88.90[3.500]	35	△	△	8-147723-4
	83.82[3.300]	86.36[3.400]	34	△	△	8-147723-3
	81.28[3.200]	83.82[3.300]	33	△	△	8-147723-2
	78.74[3.100]	81.28[3.200]	32	△	△	8-147723-1
	76.20[3.000]	78.74[3.100]	31	△	△	8-147723-0
88mm	73.66[2.900]	76.20[3.000]	30	△	△	7-147723-9
	71.12[2.800]	73.66[2.900]	29	△	△	7-147723-8
	68.58[2.700]	71.12[2.800]	28	△	△	7-147723-7
	66.04[2.600]	68.58[2.700]	27	△	△	7-147723-6
	63.50[2.500]	66.04[2.600]	26	△	△	7-147723-5
72mm	60.96[2.400]	63.50[2.500]	25	△	△	7-147723-4
	58.42[2.300]	60.96[2.400]	24	△	△	7-147723-3
	55.88[2.200]	58.42[2.300]	23	△	△	7-147723-2
	53.34[2.100]	55.88[2.200]	22	△	△	7-147723-1
	50.80[2.000]	53.34[2.100]	21	△	△	7-147723-0
	48.26[1.900]	50.80[2.000]	20	△	△	6-147723-9
	45.72[1.800]	48.26[1.900]	19	△	△	6-147723-8
	43.18[1.700]	45.72[1.800]	18	△	△	6-147723-7
	40.64[1.600]	43.18[1.700]	17	△	△	6-147723-6
	38.10[1.500]	40.64[1.600]	16	△	△	6-147723-5
44mm	35.56[1.400]	38.10[1.500]	15	△	△	6-147723-4
	33.02[1.300]	35.56[1.400]	14	△	△	6-147723-3
	30.48[1.200]	33.02[1.300]	13	△	△	6-147723-2
	27.94[1.100]	30.48[1.200]	12	△	△	6-147723-1
	25.40[1.000]	27.94[1.100]	11	△	△	6-147723-0
	22.86[.900]	25.40[1.000]	10	△	△	5-147723-9
	20.32[.800]	22.86[.900]	9	△	△	5-147723-8
	17.78[.700]	20.32[.800]	8	△	△	5-147723-7
	15.24[.600]	17.78[.700]	7	△	△	5-147723-6
	12.70[.500]	15.24[.600]	6	△	△	5-147723-5
OBSOLETE	10.16[.400]	12.70[.500]	5	△	△	5-147723-4
	7.62[.300]	10.16[.400]	4	△	△	5-147723-3
	5.08[.200]	7.62[.300]	3	△	△	5-147723-2
	2.54[.100]	5.08[.200]	2	△	△	5-147723-1



THIS DRAWING IS A CONTROLLED DOCUMENT.		OWN R BROWN 19JAN01		NAME REC. ASSY., MOD IV, SR, .100 CL SURFACE MOUNT, VERTICAL, DUAL ENTRY CLOSED ENTRY	
DIMENSIONS: mm [INCHES]		CHK J OLSON 19JAN01		PRODUCT SPEC 108-25026	APPLICATION SPEC 114-25018
TOLERANCES UNLESS OTHERWISE SPECIFIED:		APVD J OLSON 19JAN01	SIZE A	CAGE CODE 00779	DRAWING NO 147723
0 PLC ± 1 PLC ± 2 PLC ± 3 PLC ±0.13(.005) 4 PLC ± ANGLES ± FINISH △		WEIGHT -	SCALE 5:1		SHEET 2
MATERIAL △		CUSTOMER DRAWING		OF 2	REV L