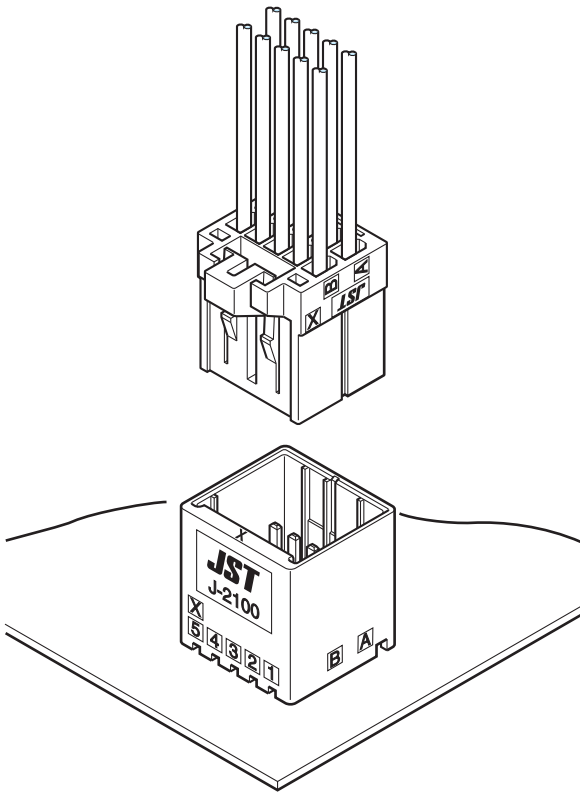


JFA CONNECTOR J2000 SERIES

2.5/3.5 mm pitch/Wire-to-Board connectors (Crimp style and Mating style)/Wire-to-wire connectors



This connector is engineered and suitable for industrial applications.

Two connector locking methods are available—center locking and side locking—allowing options best suited to your specific application. Furthermore, the receptacle and tab contacts are standardized across the entire J2000 series.

- Dual-spring construction
- 2 types of locking methods
- Housing lance system utilized
- Distinct, tactile click sensation upon connection
- Keying mechanism to prevent mismatching
- A protective cover can be installed to shield the connector from dust and foreign debris (J2100, J2200 Series)

Standards

Ⓜ : Recognized E 60389

△ : J50209682

Specifications

- Current rating: AC/DC

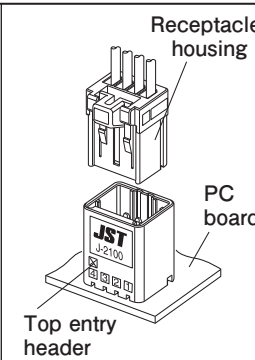
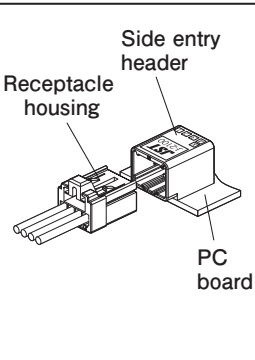
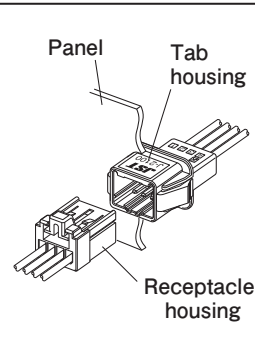
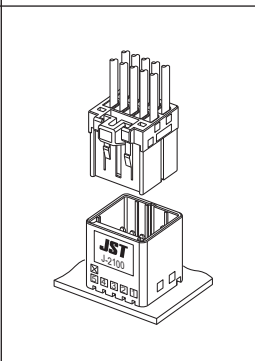
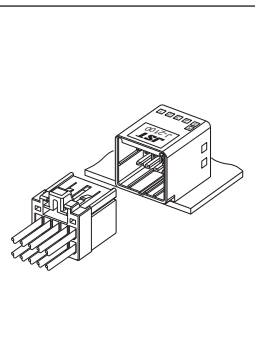
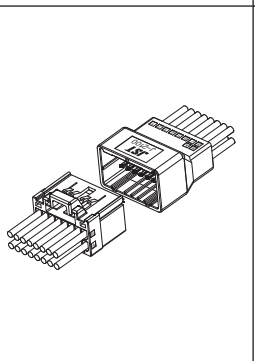
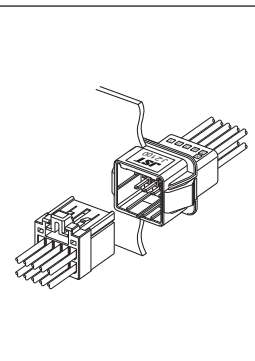
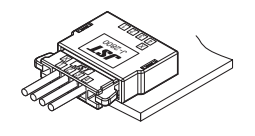
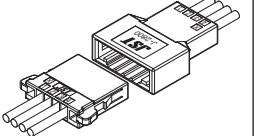

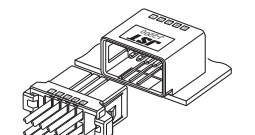
Unit: A

No. of circuits	Wire size (AWG)				
	#20	#22	#24	#26	#28
3	4.6	4.4	3.4	3.0	2.4
4	4.5	4.3	3.2	2.8	2.3
6	4.3	4.1	2.8	2.6	2.1
8	4.1	3.6	2.6	2.3	1.9
10	3.9	3.4	2.5	2.2	1.8
12	3.6	3.1	2.4	2.0	1.6
16	3.2	2.8	2.2	1.8	1.4
20	2.9	2.5	2.1	1.7	1.3
30	2.8	2.4	2.0	1.6	1.2
40	2.7	2.3	1.9	1.5	1.1

- Voltage rating: 250 V AC/DC...J2100, J2200, J2400, J2500, J2800 Series
- Temperature range: -55 °C to +105 °C
(including temperature rise in applying electrical current)
- Applicable wire: AWG #28 to AWG #20
- Applicable PC board thickness: 1.6 mm
- * Please note that the above general specifications may differ from the safety standards.
- * Refer to each product page for the general specifications of the Common Sensor type (J2300) and the Common type (J2500, J2800).
- * Please refer to the "Handling Precautions for Terminals and Connectors" on our website (listed in the "Technical Documents" column on the Product Information page) before use.
- * RoHS2 compliance
- * Dimensional unit: mm
- * Contact JST for details.

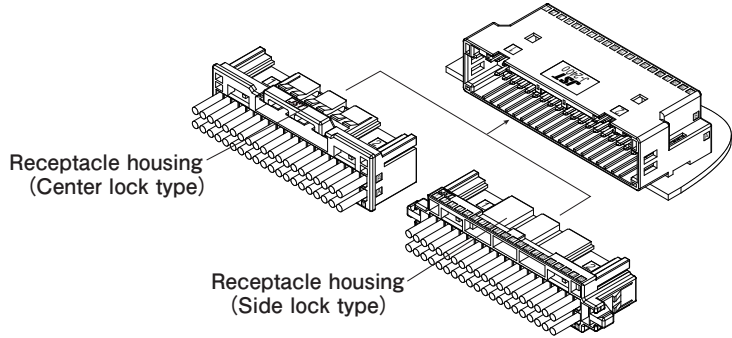
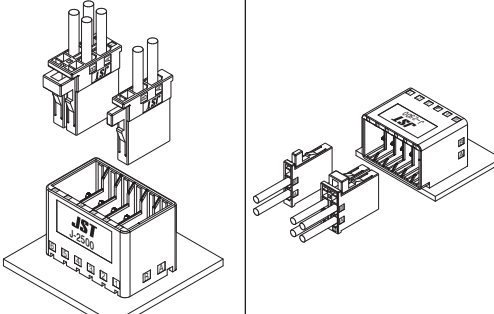
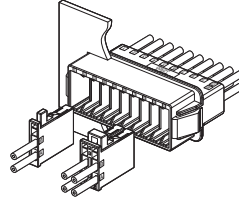
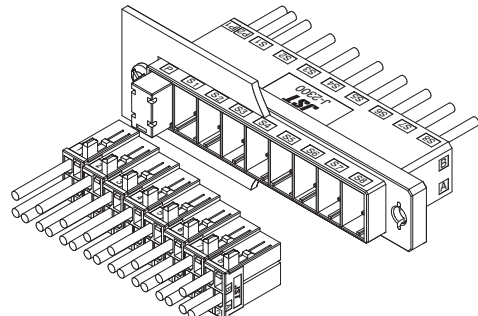
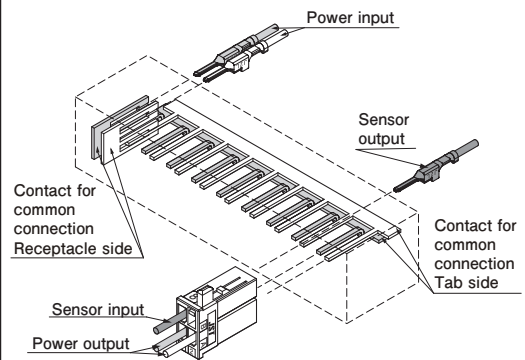
JFA CONNECTOR / J2000 SERIES

J2000 Series Product Lineup

Type	Series (No. of rows)	2.5 mm pitch 250 V AC/DC			
		Board-to-Wire		Wire-to-Wire	
		Top entry type	Side entry type	Free hanging type	Panel mounting type
Center lock type	J2100 Single-row type				
	No. of circuits	3, 4	3, 4		3, 4
	J2100 Dual-row type				
No. of circuits	6, 8, 10, 12, 16, 20, 30	6, 8, 10, 12, 16, 20	16	6, 8, 10, 12, 16, 20, 30	
Side lock type (Thin type)	J2800 Single-row type				
	No. of circuits		4	4	4
Side lock type	J2200 Dual-row type				
	No. of circuits		10		

JFA CONNECTOR / J2000 SERIES

J2000 Series Product Lineup

Type	Series (No. of rows)	2.5 mm pitch 250 V AC/DC			
		Board-to-Wire			
		Side entry type			
Hybrid type	J2400 Dual-row type				
		No. of circuits	40		
Type	Series (No. of rows)	3.5 mm pitch 250 V AC/DC			
		Board-to-Wire		Wire-to-Wire	
		Top entry type	Side entry type	Free hanging type	Panel mounting type
Module type	J2500 Dual-row type				
		No. of circuits	12, 20	12, 20	12, 20
Type	Series (No. of rows)	2.5 mm pitch 125 V AC/DC			
		Wire-to-Wire			
		Panel mounting Screw type			
Common, Sensor type	J2300 Dual-row type	Appearance 		Circuit configuration 	
		No. of circuits	Power Input: 2, Power Output: 16 (Common output) Sensor Input/Output: 8		

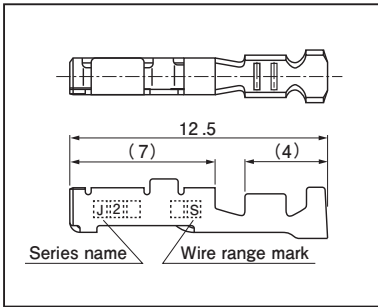
JFA CONNECTOR / J2000 SERIES

J2000 Series Product Lineup

Type	Series (No. of rows)	250 V AC/DC	
Common type	J2500 Dual-row type	<p>Appearance</p>	<p>Circuit configuration</p>
	No. of circuits	12, 20	
	J2500 Triple-row type		
	No. of circuits	18	
	J2800 (4-row)		
	No. of circuits	20	

JFA CONNECTOR / J2000 SERIES

Receptacle contact



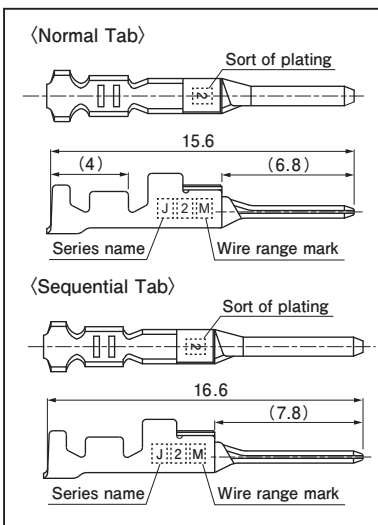
Strip contact Model No.	Loose piece contact Model No.	Applicable wire range		Insulation O.D. (mm)	Q'ty	
		Nominal	AWG # (mm ²)		Reel	Box (Loose piece)
SJ2F-002(*)-P1.0	—	S	#28 to #24 (0.08 to 0.20)	0.88 to 1.43	6,000	—
SJ2F-01(*)-P1.0	—	M	#24 to #20 (0.20 to 0.50)	1.11 to 11.53	6,000	—
SJ2F-21(*)-P1.0	BJ2F-21(*)-P1.0	L	#22 to #20 (0.30 to 0.75)	1.30 to 11.90	5,000	2,000

Material and Surface finish, etc.

Copper alloy (superior conductivity), nickel-undercoated, selective gold-plated

- Note: 1. Surface finish (*): GF...Nickel-undercoated, 0.38 μm selective gold-plated
GI...Nickel-undercoated, 0.76 μm selective gold-plated
2. Please note that the above general specifications may differ from the safety standards.

Tab contact



Strip contact Model No.	Loose piece contact Model No.	Applicable wire range		Insulation O.D. (mm)	Q'ty	
		Nominal	AWG# (mm ²)		Reel	Box (Loose piece)
Normal	SJ2M-002(*)-M1.0N	—	S #28 to #24 (0.08 to 0.20)	0.88 to 1.43	5,500	—
	SJ2M-01(*)-M1.0N	—	M #24 to #20 (0.20 to 0.50)	1.11 to 1.53	5,500	—
	SJ2M-21(*)-M1.0N	BJ2M-21(*)-M1.0N	L	#22 to #20 (0.30 to 0.75)	1.30 to 1.90	5,000
Sequential	SJ2M-01(*)-M1.0S	—	M #24 to #20 (0.20 to 0.50)	1.11 to 1.53	5,500	—
	SJ2M-21(*)-M1.0S	BJ2M-21(*)-M1.0S	L	#22 to #20 (0.30 to 0.75)	1.30 to 1.90	5,000

Material and Surface finish, etc.

Copper alloy (superior conductivity), nickel-undercoated, selective gold-plated

- Note: 1. Surface finish (*): GF...Nickel-undercoated, 0.38 μm selective gold-plated
GI...Nickel-undercoated, 0.76 μm selective gold-plated
2. Please note that the above general specifications may differ from the safety standards.

Crimping machine, Applicator

Strip contact Model No.	Crimping machine	Applicator	Crimp applicator with dies	Hand tool
SJ2F-002(*)-P1.0 SJ2M-002(*)-M1.0N	AP-K2N	MKS-L	APLMK SJ2F/M002-10	YRS-8851 YRK-8852
SJ2F-01(*)-P1.0 SJ2M-01(*)-M1.0N SJ2M-01(*)-M1.0S	AP-K2N	MKS-L	APLMK SJ2F/M01-10	YRS-8861 YRK-8863
SJ2F-21(*)-P1.0 SJ2M-21(*)-M1.0N SJ2M-21(*)-M1.0S	AP-K2N	MKS-L	APLMK SJ2F/M21-10	YRK-1120

Contact JST for fully automatic crimping applicator.

Loose piece contact	Hand tool
BJ2F-21(*)-P1.0 BJ2M-21(*)-M1.0N BJ2M-21(*)-M1.0S	YRF-1120

- Note: 1. For details on the YRK series of hand tools for use with the strip contacts, refer to the list of "Crimping Machines and Tools" on our website (Technical documents of Product information page).
2. Extraction tool for J2000 series : EJ-JFAJ2N
3. Surface finish (*):
GF...Nickel-undercoated, 0.38 μm selective gold-plated
GI...Nickel-undercoated, 0.76 μm selective gold-plated

Recognition mark

● Plating of the contact

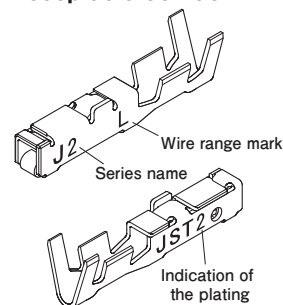
- Each contact has a marking on its side or top side so that the type or thickness of the plating is recognized.
2 ... gold-plated 0.38 μm thickness
3 ... gold-plated 0.76 μm thickness

● Common marking on the contact and its application tools

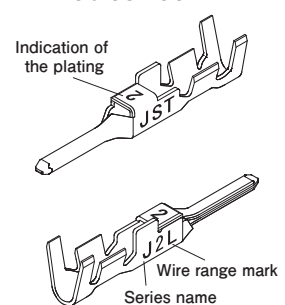
In order to avoid incorrect combination of the hand crimp tools or extraction tools and the contacts, the series name (for example J2) and wire range mark (S, M, L) are shown on both the tools and the contacts.

- J2 S...AWG #28 to AWG #24
M...AWG #24 to AWG #20
L...AWG #22 to AWG #20

Receptacle contact

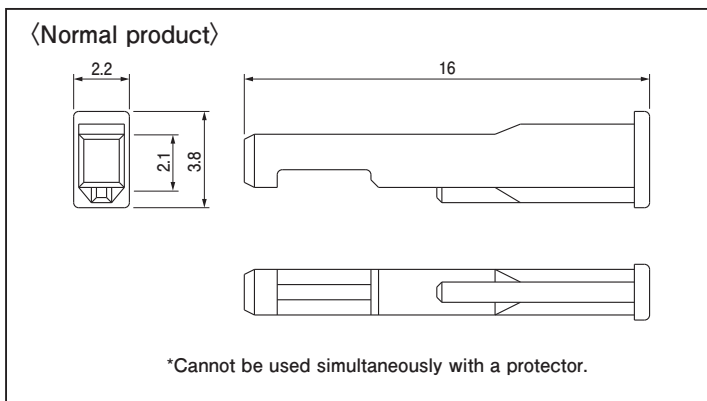


Tab contact



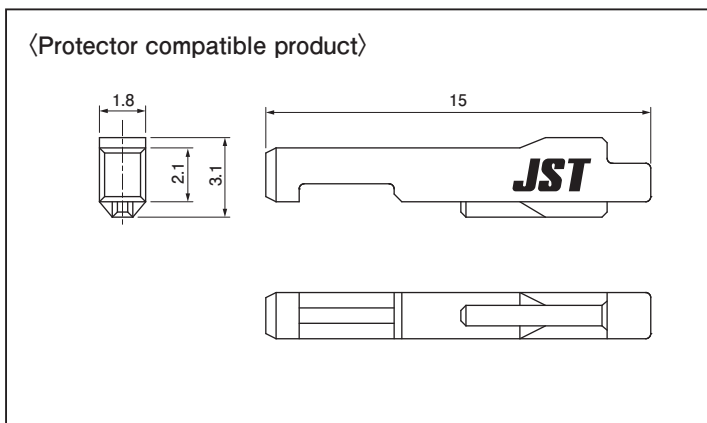
JFA CONNECTOR / J2000 SERIES

Keying plug



Model No.	Q'ty/box
J2KP-VY	500
Material and Surface finish, etc.	
PBT (GF), UL94V-0, yellow	

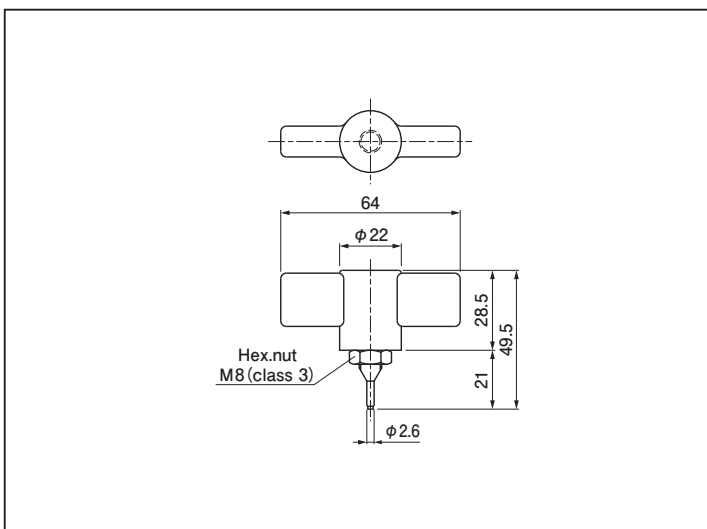
Note: Please contact JST on instructions for use.



Model No.	Q'ty/box
J2KP-VY-A	500
Material and Surface finish, etc.	
PBT (GF), UL94V-0, yellow	

Note: 1. Not UL listed.
2. Please contact JST on instructions for use.

Tab contact cutting jig



Model No.
CT-JFAJ2

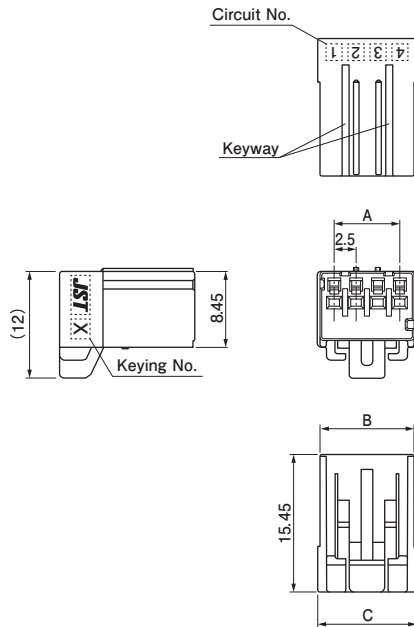
Note: 1. Not UL or TÜV listed.
2. Please contact JST on instructions for use.

Assembly layout

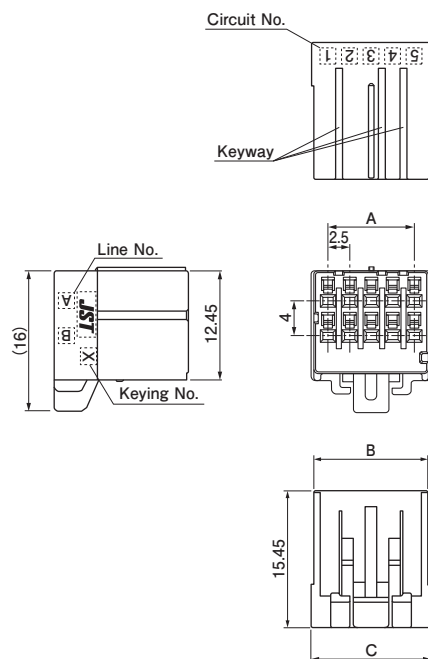
Single-row type	Wire-to-board	<p>〈Top entry type〉</p>	<p>〈Side entry type〉</p>
	Wire-to-wire	<p>〈Panel mounting type〉</p>	
Dual-row type	Wire-to-board	<p>〈Top entry type〉</p>	<p>〈Side entry type〉</p>
	Wire-to-wire	<p>〈Free hanging type〉</p>	<p>〈Panel mounting type〉</p>

Receptacle housing (Long-key type)

<Single-row type>



<Dual-row type>



Type	No. of circuits	Keying	Model No.	Dimensions (mm)			Q'ty/bag
				A	B	C	
Single-row type	3	X	J21SF-03V-KX-L	5.0	8.3	8.9	400
		Y	J21SF-03V-KY-L	5.0	8.3	8.9	400
	4	X	J21SF-04V-KX-L	7.5	10.8	11.4	400
		Y	J21SF-04V-KY-L	7.5	10.8	11.4	400
Dual-row type	6	X	J21DF-06V-KX-L	5.0	8.3	8.9	300
		Y	J21DF-06V-KY-L	5.0	8.3	8.9	300
	8	X	J21DF-08V-KX-L	7.5	10.8	11.4	300
		Y	J21DF-08V-KY-L	7.5	10.8	11.4	300
	10	X	J21DF-10V-KX-L	10.0	13.3	13.9	200
		Y	J21DF-10V-KY-L	10.0	13.3	13.9	200
	12	X	J21DF-12V-KX-L	12.5	15.8	16.4	200
		Y	J21DF-12V-KY-L	12.5	15.8	16.4	200
	16	X	J21DF-16V-KX-L	17.5	20.8	21.4	200
		Y	J21DF-16V-KY-L	17.5	20.8	21.4	200
	20	X	J21DF-20V-KX-L	22.5	25.8	26.4	100
		Y	J21DF-20V-KY-L	22.5	25.8	26.4	100
30	X	*J21DF-30V-KX-L	35.0	38.3	38.9	80	

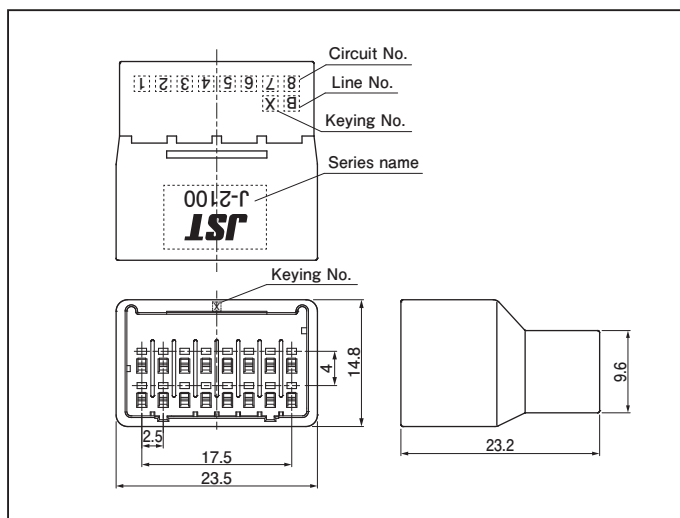
Material and Surface finish, etc.

PBT (GF), UL94V-0, black

Note: 1. *Not TÜV listed.

2. When using the protector, please use the long-key type. Please contact JST for further details.

Tab housing (Free hanging type)



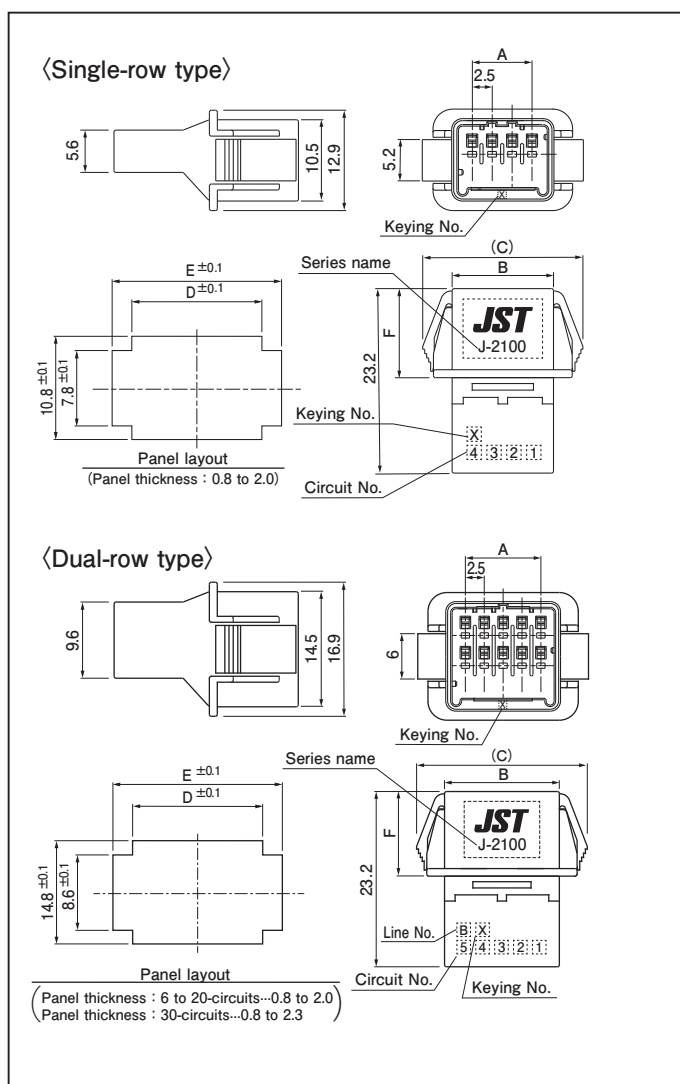
No. of circuits	Keying	Model No.	Q'ty/bag
16	X	J21DFM-16V-KX	300
	Y	J21DFM-16V-KY	300

Material and Surface finish, etc.

PBT (GF), UL94V-0, black

Note: Not UL listed.

Tab housing (Panel mounting type)



Type	No. of circuits	Keying	Model No.	Dimensions (mm)						Q'ty/bag
				A	B	C	D	E	F	
Single-row type	3	X	J21SPM-03V-KX	5.0	10.2	17.6	10.5	15.2	11.2	400
		Y	J21SPM-03V-KY	5.0	10.2	17.6	10.5	15.2	11.2	400
	4	X	J21SPM-04V-KX	7.5	12.7	20.1	13.0	17.7	11.2	400
		Y	J21SPM-04V-KY	7.5	12.7	20.1	13.0	17.7	11.2	400
Dual-row type	6	X	J21DPM-06V-KX	5.0	10.2	17.6	10.5	15.2	11.2	300
		Y	J21DPM-06V-KY	5.0	10.2	17.6	10.5	15.2	11.2	300
	8	X	J21DPM-08V-KX	7.5	12.7	20.1	13.0	17.7	11.2	200
		Y	J21DPM-08V-KY	7.5	12.7	20.1	13.0	17.7	11.2	200
	10	X	J21DPM-10V-KX	10.0	15.2	22.6	15.5	20.2	11.2	200
		Y	J21DPM-10V-KY	10.0	15.2	22.6	15.5	20.2	11.2	200
	12	X	J21DPM-12V-KX	12.5	17.7	25.1	18.0	22.7	11.2	200
		Y	J21DPM-12V-KY	12.5	17.7	25.1	18.0	22.7	11.2	200
	16	X	J21DPM-16V-KX	17.5	22.7	30.1	23.0	27.7	11.2	200
		Y	J21DPM-16V-KY	17.5	22.7	30.1	23.0	27.7	11.2	200
	20	X	J21DPM-20V-KX	22.5	27.7	35.1	28.0	32.7	11.2	150
		Y	J21DPM-20V-KY	22.5	27.7	35.1	28.0	32.7	11.2	150
30	X	*J21DPM-30V-KX	35.0	40.2	48.8	40.5	45.5	13.4	80	

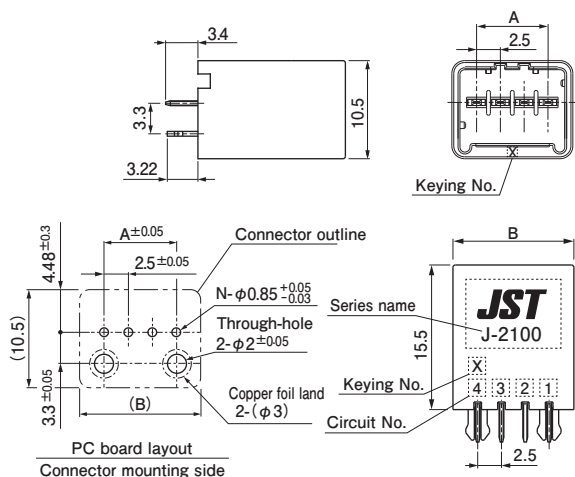
Material and Surface finish, etc.

PBT (GF), UL94V-0, black

Note: *Not TÜV listed.

Header (Top entry type)

<Single-row type>



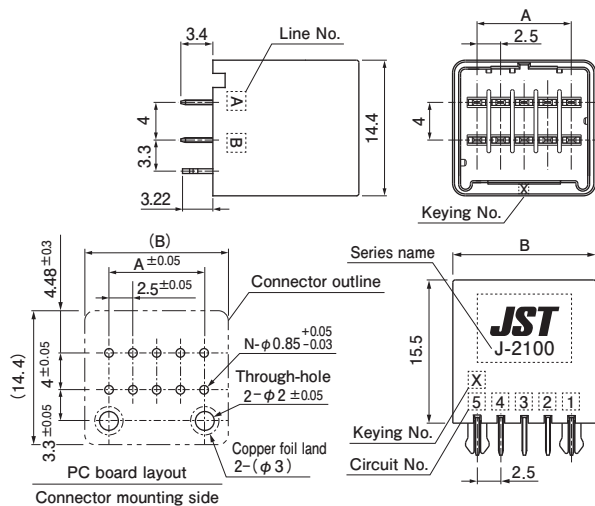
Type	No. of circuits	Keying	Model No.	Dimensions (mm)		Q'ty/box
				A	B	
Single-row type	3	X	B03B-J21SK-GGXR	5.0	10.2	378
		Y	B03B-J21SK-GGYR	5.0	10.2	378
	4	X	B04B-J21SK-GGXR	7.5	12.7	306
		Y	B04B-J21SK-GGYR	7.5	12.7	306
Dual-row type	6	X	B06B-J21DK-GGXR	5.0	10.2	252
		Y	B06B-J21DK-GGYR	5.0	10.2	252
	8	X	B08B-J21DK-GGXR	7.5	12.7	204
		Y	B08B-J21DK-GGYR	7.5	12.7	204
	10	X	B10B-J21DK-GGXR	10.0	15.2	168
		Y	B10B-J21DK-GGYR	10.0	15.2	168
	12	X	B12B-J21DK-GGXR	12.5	17.7	144
		Y	B12B-J21DK-GGYR	12.5	17.7	144
	16	X	B16B-J21DK-GGXR	17.5	22.7	108
		Y	B16B-J21DK-GGYR	17.5	22.7	108
20	X	B20B-J21DK-GGXR	22.5	27.7	84	
	Y	B20B-J21DK-GGYR	22.5	27.7	84	
30	X	*B30B-J21DK-GGXR	35.0	40.2	60	

Material and Surface finish, etc.

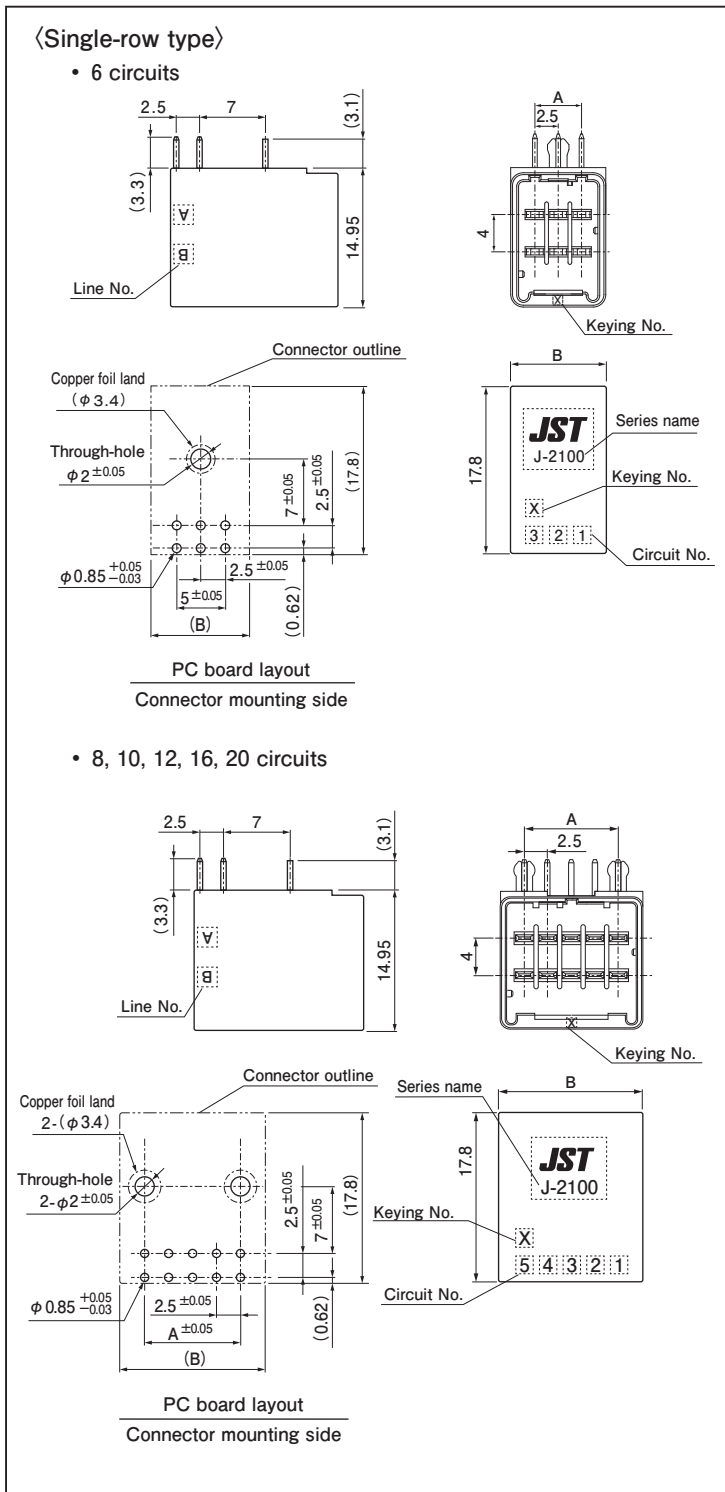
Tab contact : Copper alloy, nickel-undercoated, selective gold-plated
Housing : PBT (GF), UL94V-0, black
PA (GF), UL94V-0, black
Reinforcement : Copper alloy, nickel-undercoated, selective gold-plated

This product displays (LF) (AU) on a label.
Note: 1. Please contact JST for 0.76 μm gold-plated products.
2. *Not TÜV listed.

<Dual-row type>



Header (Side entry type)



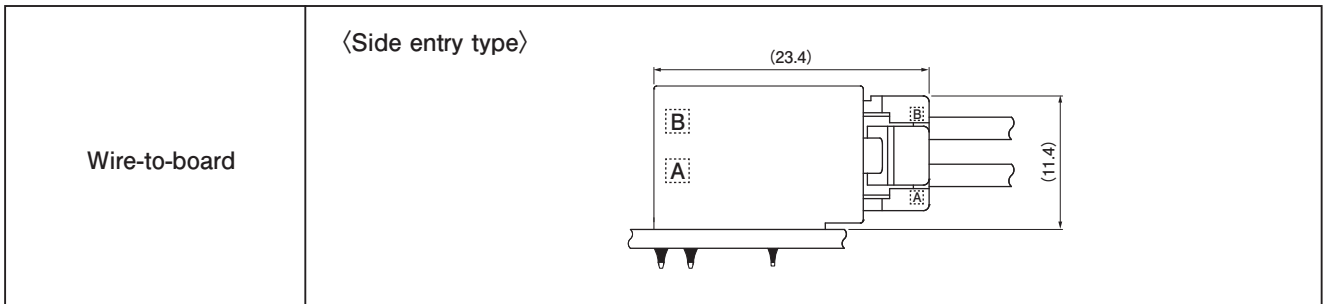
No. of circuits	Keying	Model No.	Dimensions (mm)		Q'ty/box
			A	B	
6	X	S06B-J21DK-GGXR	5.0	10.2	252
	Y	S06B-J21DK-GGYR	5.0	10.2	252
8	X	S08B-J21DK-GGXR	7.5	12.7	204
	Y	S08B-J21DK-GGYR	7.5	12.7	204
10	X	S10B-J21DK-GGXR	10.0	15.2	168
	Y	S10B-J21DK-GGYR	10.0	15.2	168
12	X	S12B-J21DK-GGXR	12.5	17.7	144
	Y	S12B-J21DK-GGYR	12.5	17.7	144
16	X	S16B-J21DK-GGXR	17.5	22.7	108
	Y	S16B-J21DK-GGYR	17.5	22.7	108
20	X	S20B-J21DK-GGXR	22.5	27.7	84
	Y	S20B-J21DK-GGYR	22.5	27.7	84

Material and Surface finish, etc.

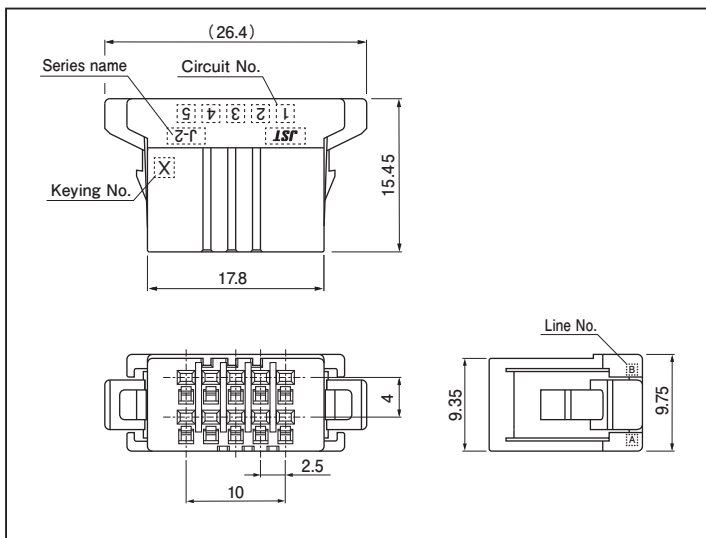
Tab contact : Copper alloy, nickel-undercoated, selective gold-plated
Housing : PBT (GF), UL94V-0, black
Reinforcement : Copper alloy, nickel-undercoated, selective gold-plated

This product displays (LF) (AU) on a label.
Note: Please contact JST for 0.76 μm gold-plated products.

Assembly layout



Receptacle housing

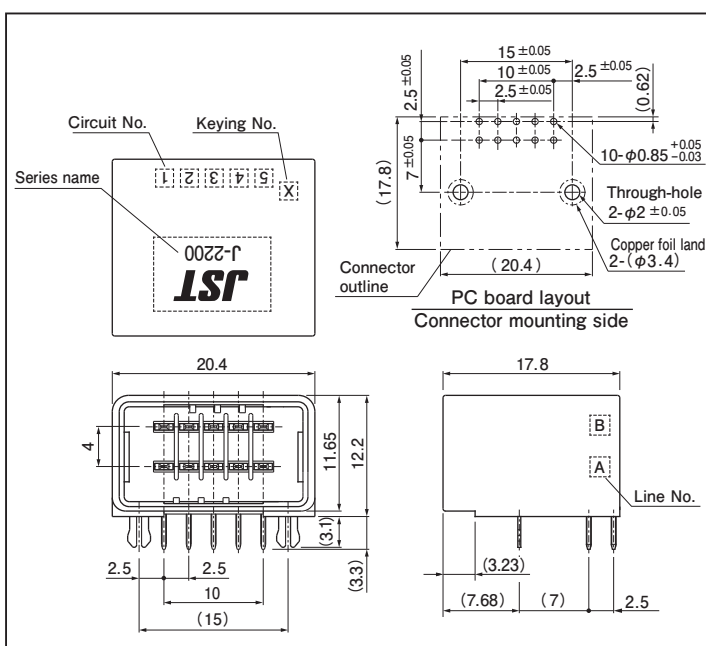


No. of circuits	Keying	Model No.	Q'ty/bag
10	X	J22DF-10V-KX	250
	Y	J22DF-10V-KY	250

Material and Surface finish, etc.

PBT (GF), UL94V-0, black

Header (Side entry type)



No. of circuits	Keying	Model No.	Q'ty/box
10	X	S10B-J22DK-GGXR	120
	Y	S10B-J22DK-GGYR	120

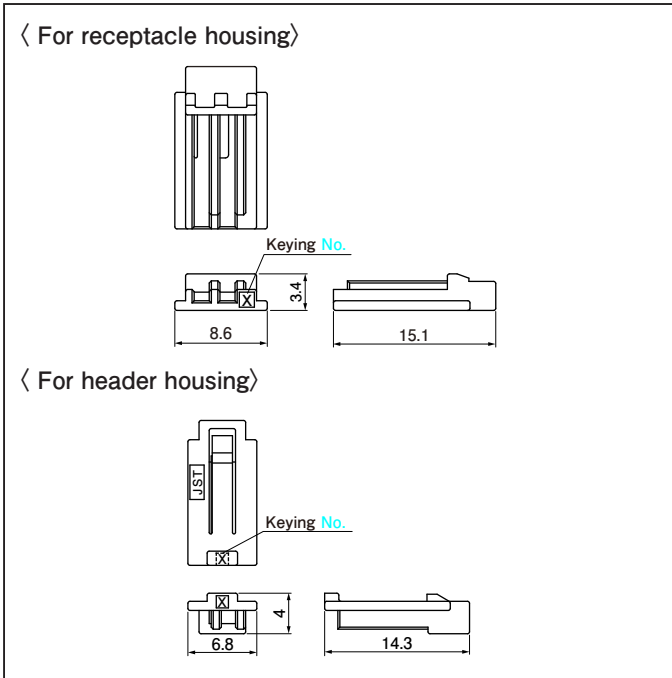
Material and Surface finish, etc.

Tab contact : Copper alloy, nickel-undercoated, selective gold-plated
Housing : PBT (GF), UL94V-0, black
Reinforcement : Copper alloy, nickel-undercoated, selective gold-plated

This product displays (LF) (AU) on a label.
Note: Please contact JST for 0.76 μm gold-plated products.

J2000 SERIES/ KEYING BLOCK

Keying block



	Keying	Model No.	Q'ty/bag
For receptacle housing	X	J2KF-VR-X	500
	Y	J2KF-VY-Y	500
	Z	J2KF-VE-Z	500
For header housing	X	J2KM-VR-X	500
	Y	J2KM-VY-Y	500
	Z	J2KM-VE-Z	500

Material and Surface finish, etc.

PBT (GF), UL94V-0,
X-Keying (red), Y-Keying (yellow), Z-Keying (blue)

Note: Not UL or TÜV listed.

Features

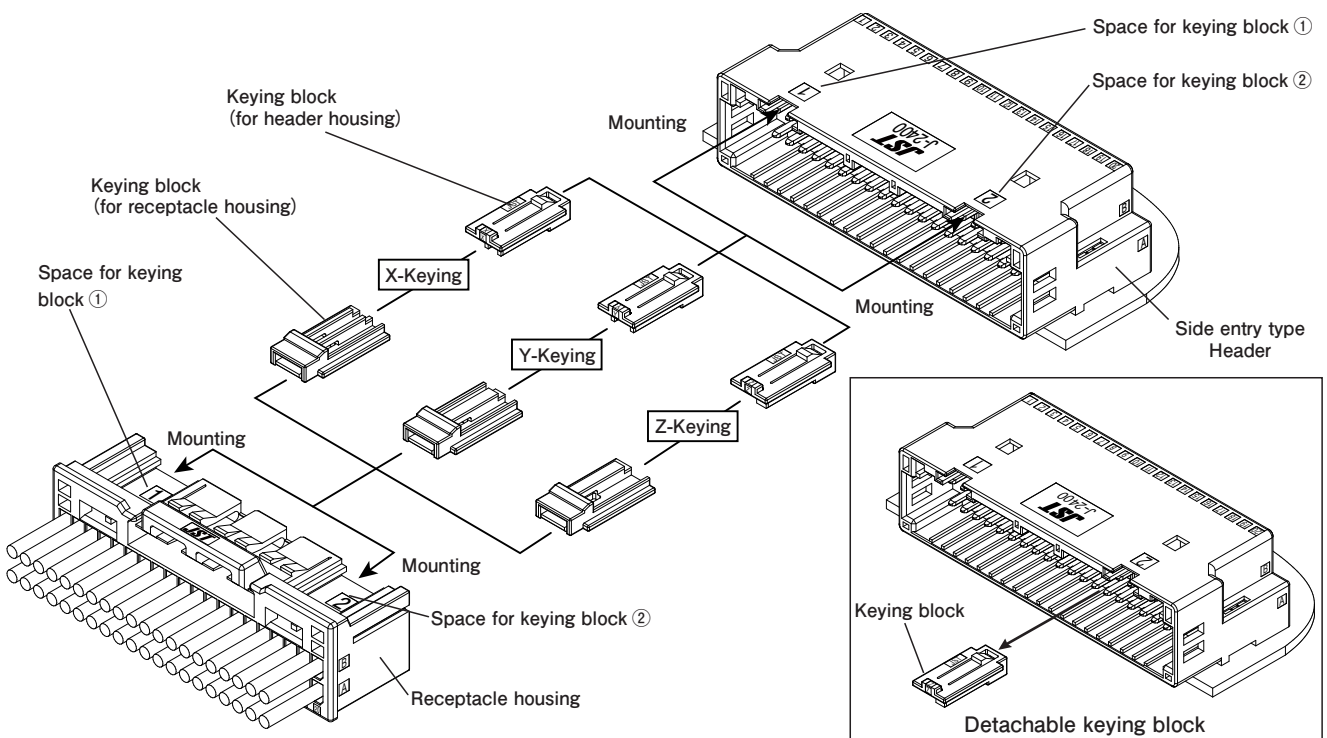
Keying blocks to prevent mismatching can be freely installed.

- By installing 3 different types of keying blocks into 2 designated keying block slots, 9 distinct keying configurations can be achieved.
- Since the colors vary depending on the keying, the type of keying is easy to identify.

Keying block variations

	X-Keying (red)	Y-Keying (yellow)	Z-Keying (blue)
For header housing			
For receptacle housing			

How to use keying block (When using J2400)

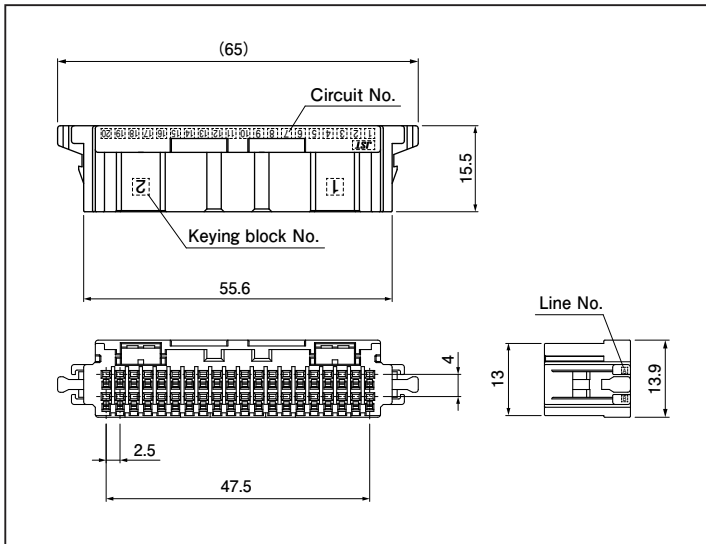


J2000 SERIES/ J2400 (FOR KEYING BLOCK)

Assembly layout

	When mating with the receptacle housing side locking type	When mating with the receptacle housing center locking type
Wire-to-board		

Receptacle housing (Side locking type)



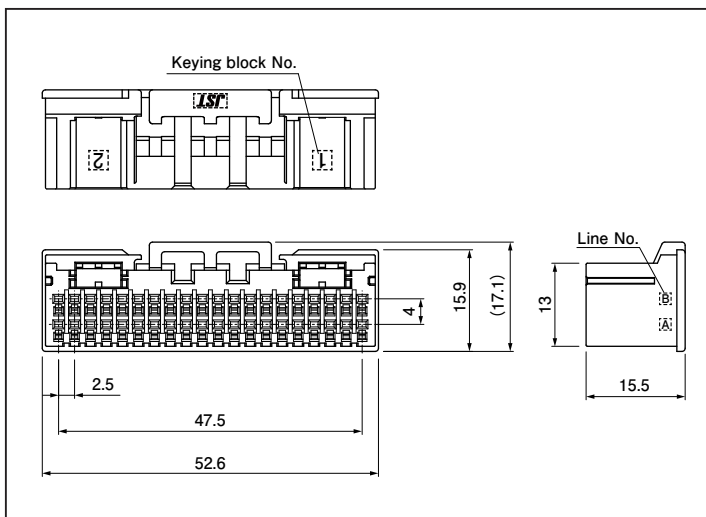
No. of circuits	Keying	Model No.	Q'ty/bag
40	—	J24DFS-40V-KE	100

Material and Surface finish, etc.

PBT (GF), UL94V-0, black

Note: Not UL or TÜV listed.

Receptacle housing (Center locking type)



No. of circuits	Keying	Model No.	Q'ty/bag
40	—	J24DFC-40V-KE	100

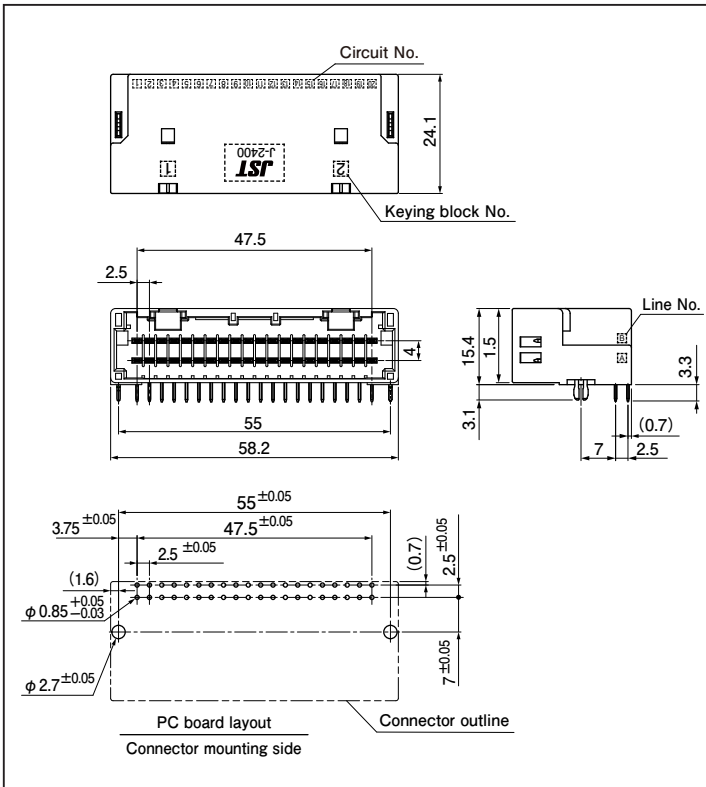
Material and Surface finish, etc.

PBT (GF), UL94V-0, black

Note: Not UL or TÜV listed.

J2000 SERIES/ J2400 (FOR KEYING BLOCK)

Header (Side entry type)



No. of circuits	Keying	Model No.	Q'ty/box
40	—	S40B-J24DK-GGER	135

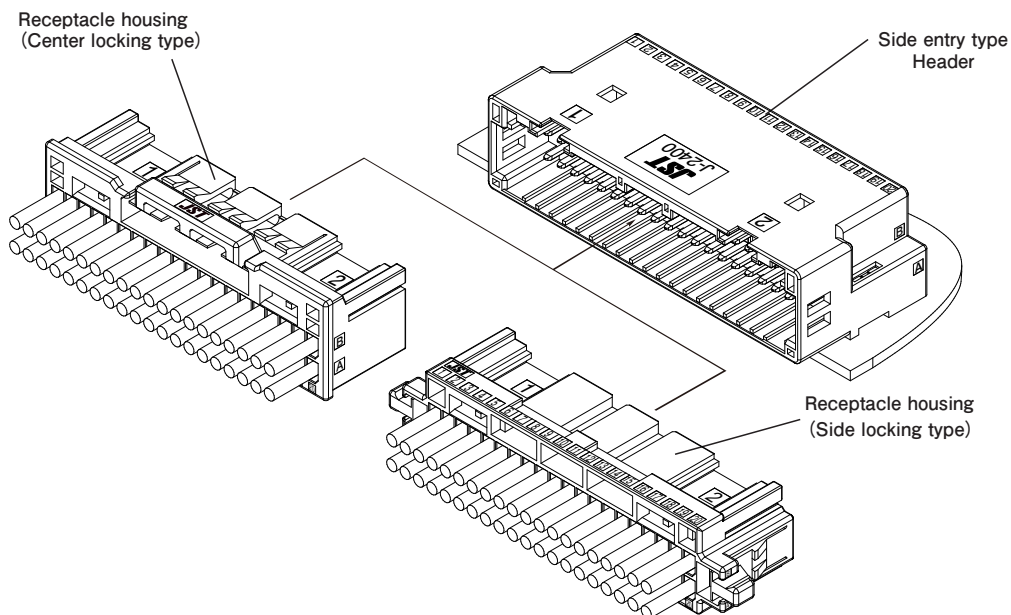
Material and Surface finish, etc.

Tab contact : Copper alloy, nickel-undercoated, selective gold-plated
Housing : PBT (GF), UL94V-0, black
Reinforcement : Copper alloy, nickel-undercoated, selective gold-plated

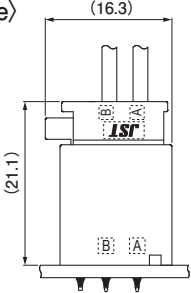
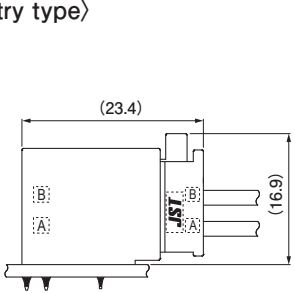
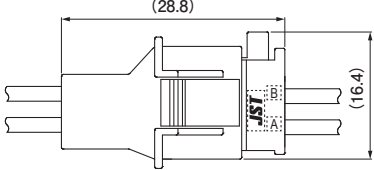
This product displays (LF)(AU) on a label.
Note: 1. Please contact JST for 0.76 μm gold-plated products.
2. *Not UL or TÜV listed.

Mating combinations

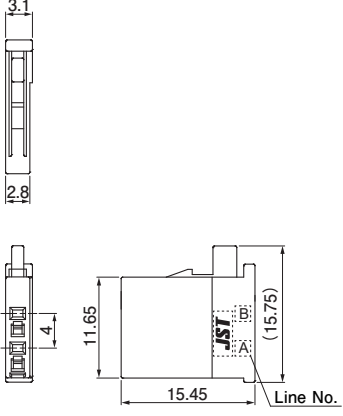
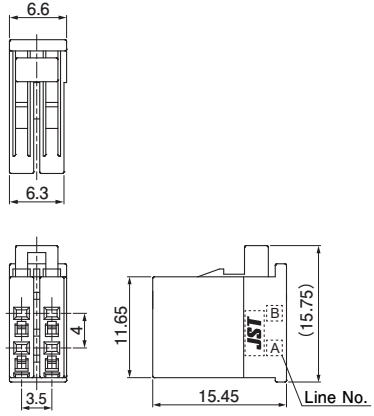
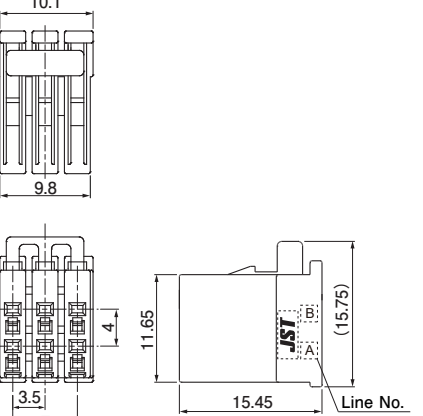
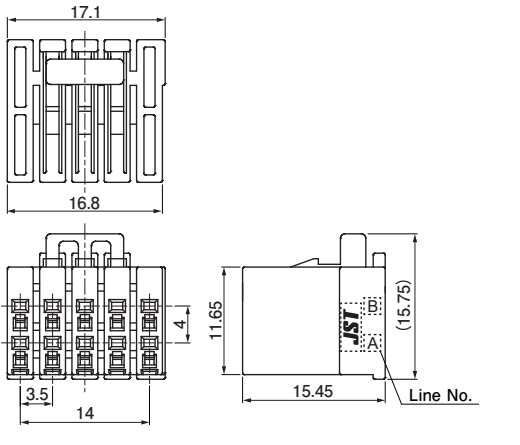
The side entry header is compatible with both center-lock and side-lock receptacle housings.



Assembly layout

<p>Wire-to-board</p>	<p>〈Top entry type〉</p> 	<p>〈Side entry type〉</p> 
<p>Wire-to-wire</p>	<p>〈Panel mounting type〉</p> 	

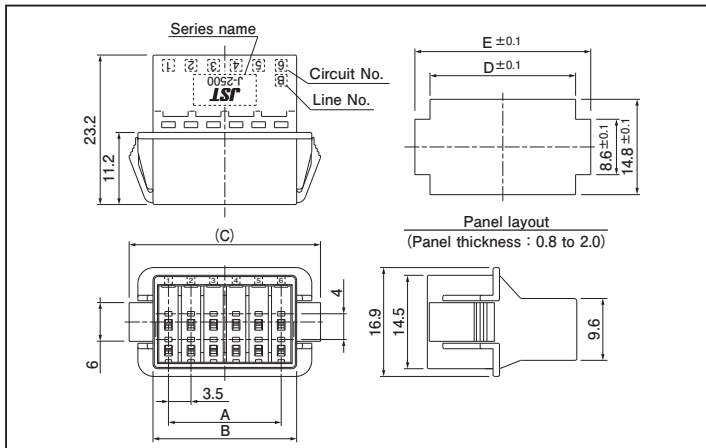
Receptacle housing

<p>• 2 circuits</p> 	<p>• 4 circuits</p> 	<p>• 6 circuits</p> 
<p>• 10 circuits</p> 		

No. of circuits	Keying	Model No.	Q'ty/bag
2	—	J25MF-02V-K	800
4	—	J25MF-04V-K	400
6	—	J25MF-06V-K	300
10	—	J25MF-10V-K	200

Material and Surface finish, etc.
PBT (GF), UL94V-0, black

Tab housing (Panel mounting type)

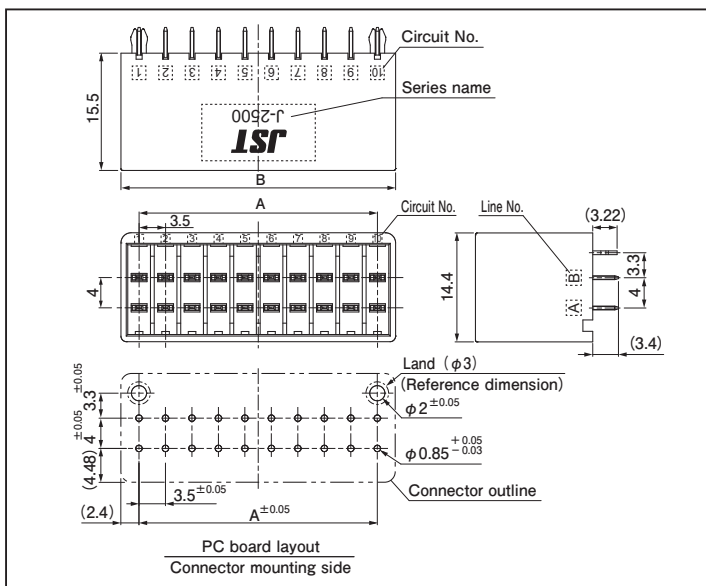


No. of circuits	Keying	Model No.	Dimensions (mm)					Q'ty
			A	B	C	D	E	
12	-	J25DPM-12V-K	17.5	22.3	29.7	22.6	27.3	200/bag
20	-	J25DPM-20V-K	31.5	36.3	43.7	36.6	41.3	132/box

Material and Surface finish, etc.

PBT (GF), UL94V-0, black

Header (Top entry type)



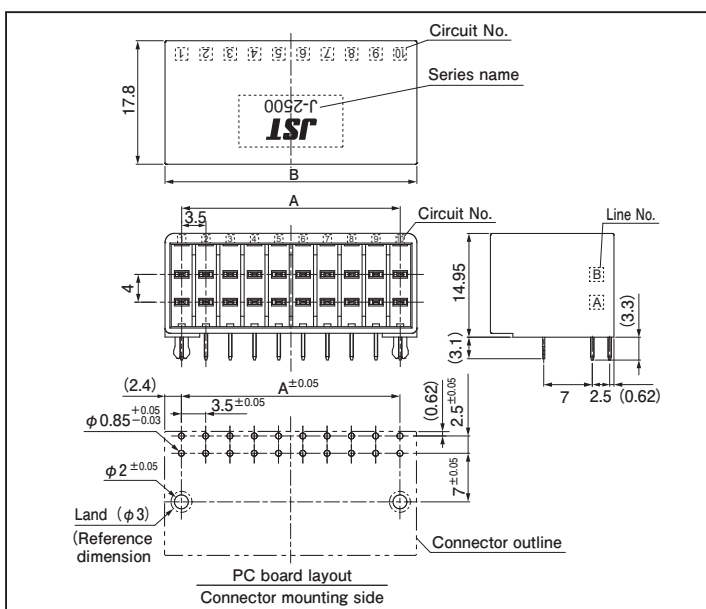
No. of circuits	Keying	Model No.	Dimensions (mm)		Q'ty/box
			A	B	
12	-	B12B-J25DK-GGR	17.5	22.3	108
20	-	B20B-J25DK-GGR	31.5	36.3	72

Material and Surface finish, etc.

Tab contact : Copper alloy, nickel-undercoated, selective gold-plated
Housing : PBT (GF), UL94V-0, black
Reinforcement : Copper alloy, nickel-undercoated, selective gold-plated

This product displays (LF)(AU) on a label.
Note: Please contact JST for 0.76 μm gold-plated products.

Header (Side entry type)



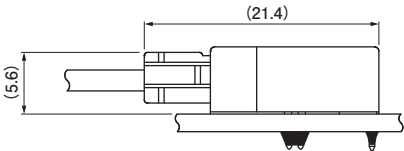
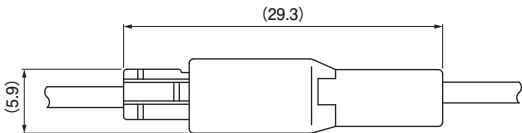
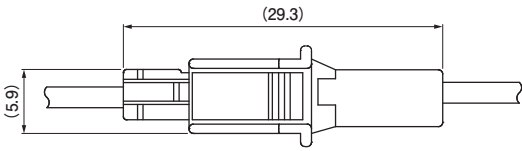
No. of circuits	Keying	Model No.	Dimensions (mm)		Q'ty/box
			A	B	
12	-	S12B-J25DK-GGR	17.5	22.3	108
20	-	S20B-J25DK-GGR	31.5	36.3	72

Material and Surface finish, etc.

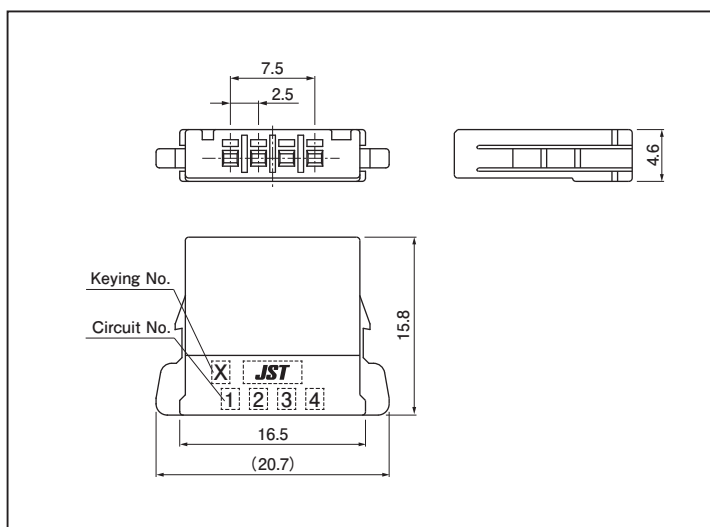
Tab contact : Copper alloy, nickel-undercoated, selective gold-plated
Housing : PBT (GF), UL94V-0, black
Reinforcement : Copper alloy, nickel-undercoated, selective gold-plated

This product displays (LF)(AU) on a label.
Note: Please contact JST for 0.76 μm gold-plated products.

Assembly layout

Wire-to-board	<p>〈Side entry type〉</p> 
Wire-to-wire	<p>〈Free hanging type〉</p> 
	<p>〈Panel mounting type〉</p> 

Receptacle housing

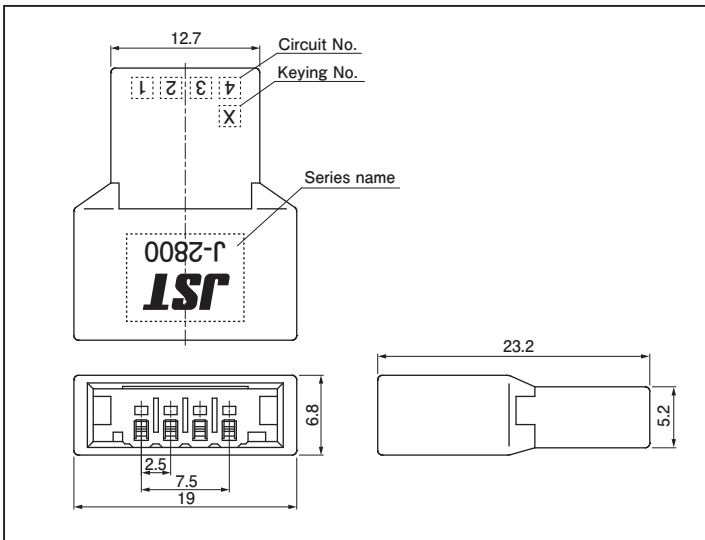


No. of circuits	Keying	Model No.	Q'ty/box
4	X	J28SF-04V-KX	1,000

Material and Surface finish, etc.

PBT (GF), UL94V-0, black

Tab housing (Free hanging type)

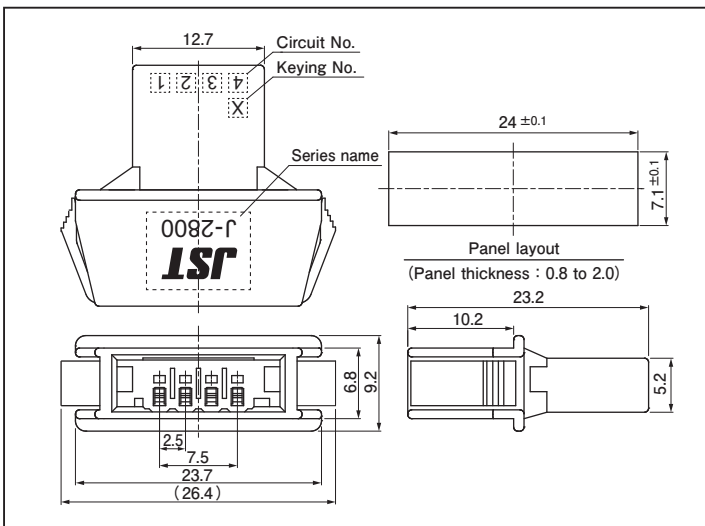


No. of circuits	Keying	Model No.	Q'ty/bag
4	X	J28SFM-04V-KX	500

Material and Surface finish, etc.

PBT (GF), UL94V-0, black

Tab housing (Panel mounting type)

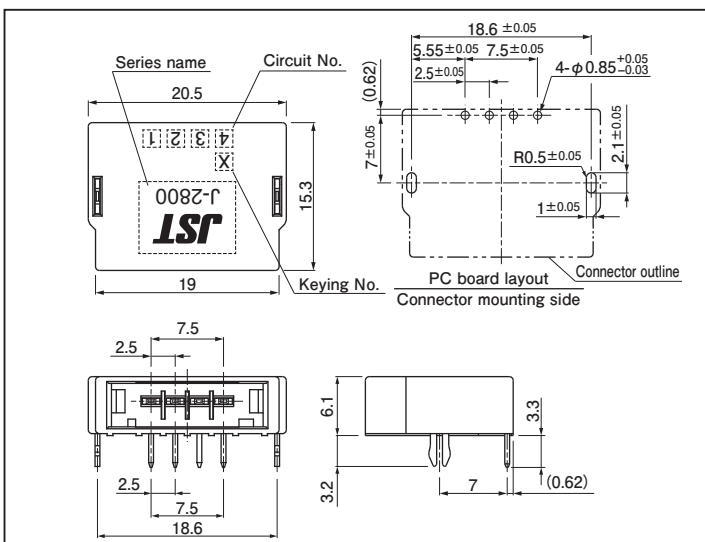


No. of circuits	Keying	Model No.	Q'ty/box
4	X	J28SPM-04V-KX	180

Material and Surface finish, etc.

PBT (GF), UL94V-0, black

Header (Side entry type)



No. of circuits	Keying	Model No.	Q'ty/box
4	X	S04B-J28SK-GGXQ1R	280

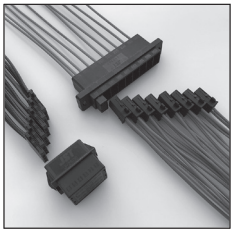
Material and Surface finish, etc.

Tab contact : Copper alloy, nickel-undercoated, selective gold-plated
Housing : PBT (GF), UL94V-0, black
Reinforcement : Copper alloy, tin-plated

This product displays (LF) on a label.

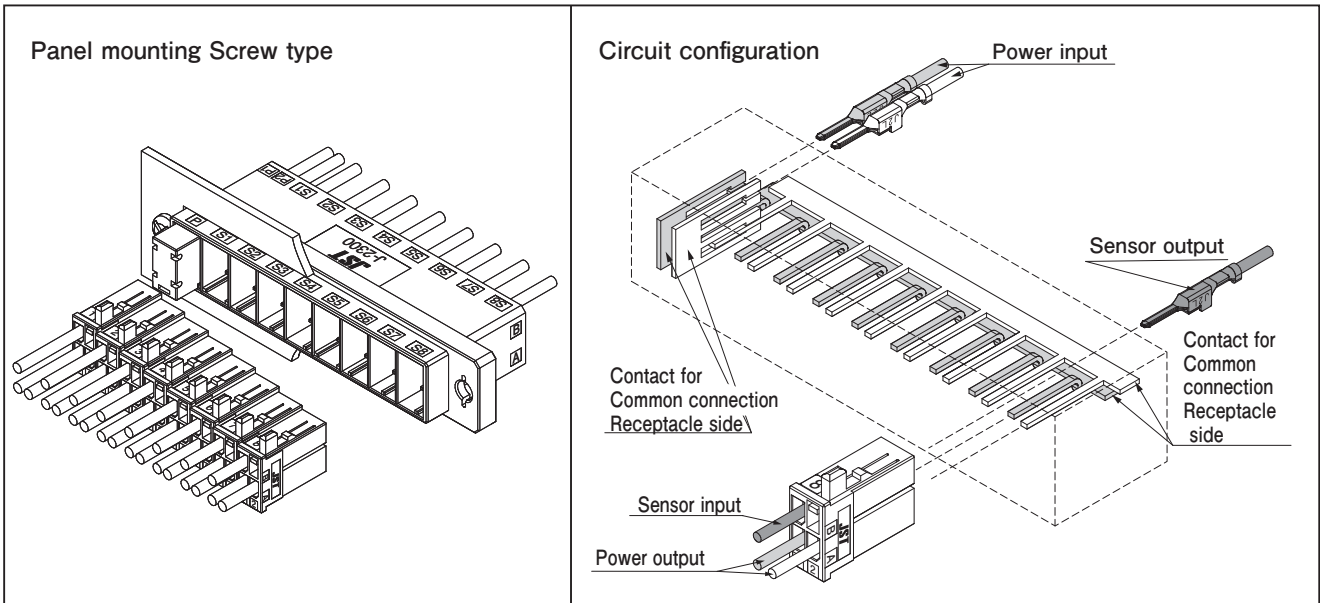
Note: 1. Pins No. 3 and 4 are sequential pins.

2. Please contact JST for 0.76 μm gold-plated products.



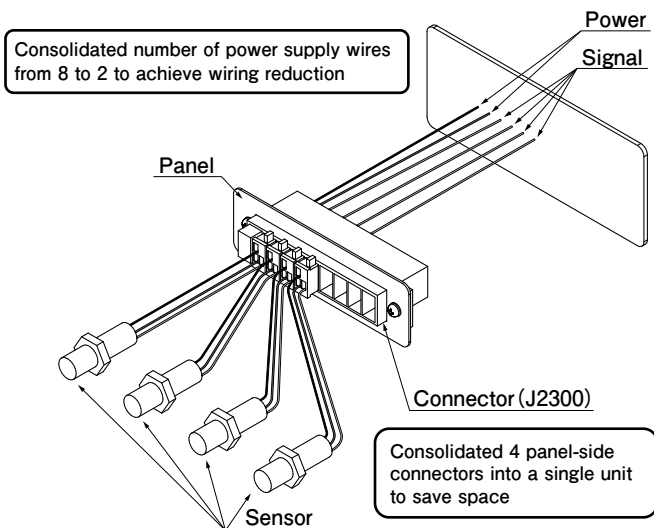
J2000 SERIES/COMMON, SENSOR TYPE/ J2300

Common, Sensor type (J2300)

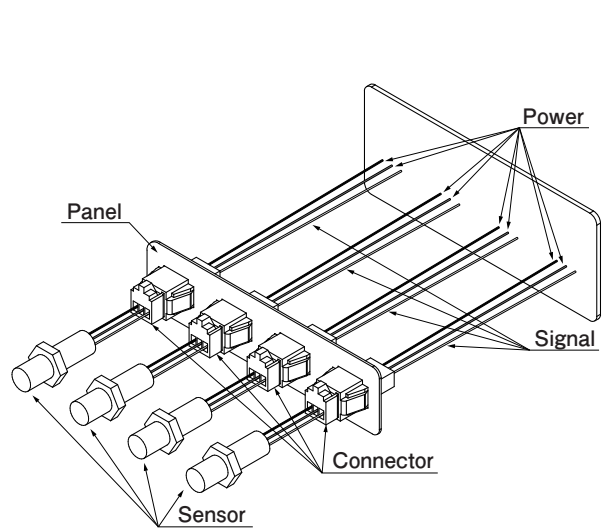


Difference in configuration with and without using J2300 connector

[When J2300 is used]



[When J2300 is not used]



■ Specification

- Current rating: AC/DC
(Total power input per circuit)

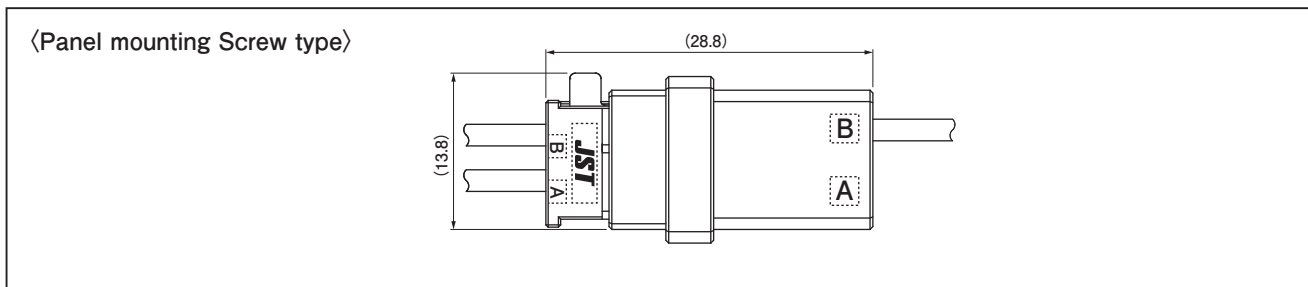
Wire size (AWG)					Unit : A
#20	#22	#24	#26	#28	
6.5	5.5	4.0	3.0	2.0	

- Voltage rating: 125 V AC/DC
- Temperature range: -55 °C to +105 °C
(including temperature rise in applying electrical current)
- Applicable wire range: AWG #28 to AWG #20

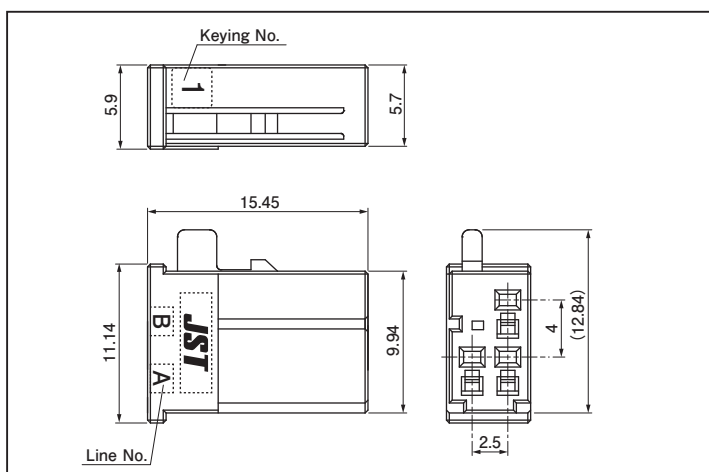
- * Please note that the general specifications listed at left may differ from the safety standards.
- * Please refer to the "Handling Precautions for Terminals and Connectors" on our website (listed in the "Technical Documents" column on the Product Information page) before use.
- * RoHS2 compliance
- * Dimensional unit: mm
- * Contact JST for details.

J2000 SERIES/COMMON, SENSOR TYPE/ J2300

Assembly layout



Receptacle housing

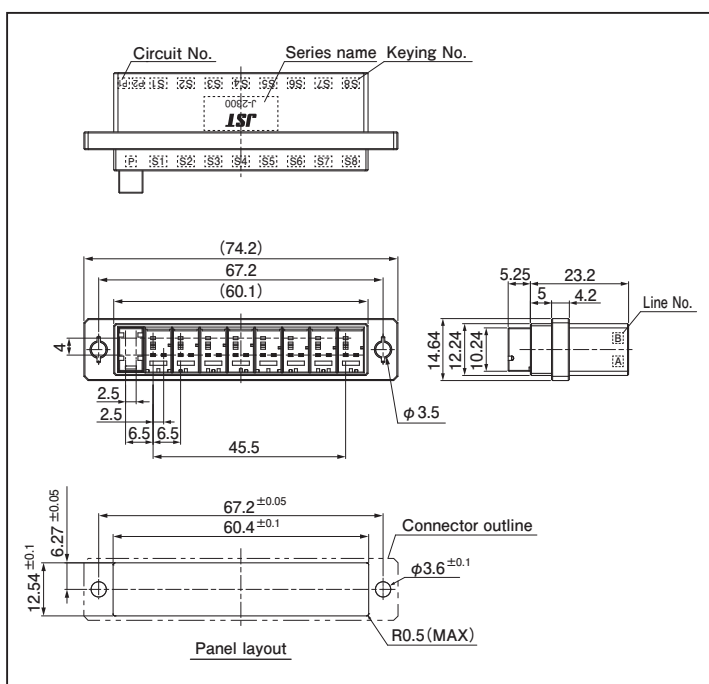


No. of circuits	Keying	Model No.	Q'ty/box
3	S1	J23CF-03V-KS1	784
	S2	J23CF-03V-KS2	
	S3	J23CF-03V-KS3	
	S4	J23CF-03V-KS4	
	S5	J23CF-03V-KS5	
	S6	J23CF-03V-KS6	
	S7	J23CF-03V-KS7	
	S8	J23CF-03V-KS8	

Material and Surface finish, etc.

PBT (GF), UL94V-0, black

Tab housing Assembly



Circuit	No. of circuits	Keying	Model No.	Q'ty/box
Power input	2	S1 to S8	P28B-J23DK-GGNR	64
Power output	16 (Common output)			
Sensor I/O	8			

Material and Surface finish, etc.

Tab contact : Copper alloy, nickel-undercoated, selective gold-plated
Housing : PBT (GF), UL94V-0, black

Note: 1. Please contact JST for 0.76 μm gold-plated products.
2. Refer to the top page of the common/sensor type (J2300) for the circuit configuration.

J2000 SERIES/COMMON TYPE/ J2500

Dual-row Common type (J2500)

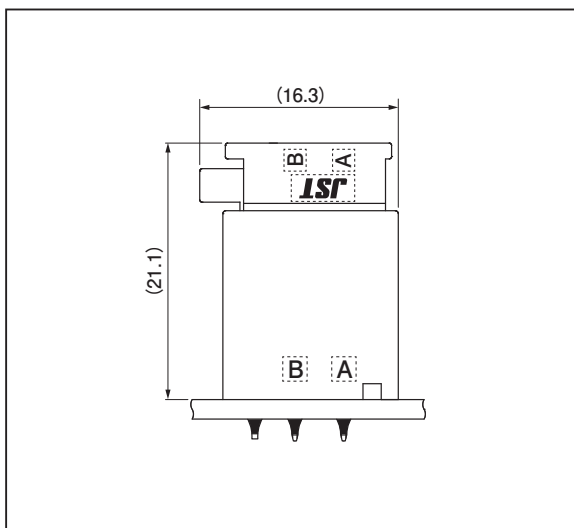
Unit : A

Receptacle side	Tab side	Appearance	Circuit configuration	Current rating : AC/DC						
				Wire size (AWG)						
				No. of circuits	Note	# 20	# 22	# 24	# 26	# 28
Receptacle housing assembly with common connection	Header			12	3.6	3.6	3.1	2.4	2.0	1.6
				20	2.9	2.9	2.5	2.1	1.7	1.3
	Tab housing			12	3.6	3.6	3.1	2.4	2.0	1.6
				20	2.9	2.9	2.5	2.1	1.7	1.3

Note: Use only receptacle housings with common connection.

- Wiring is streamlined by establishing a common connection within the connector

Assembly layout



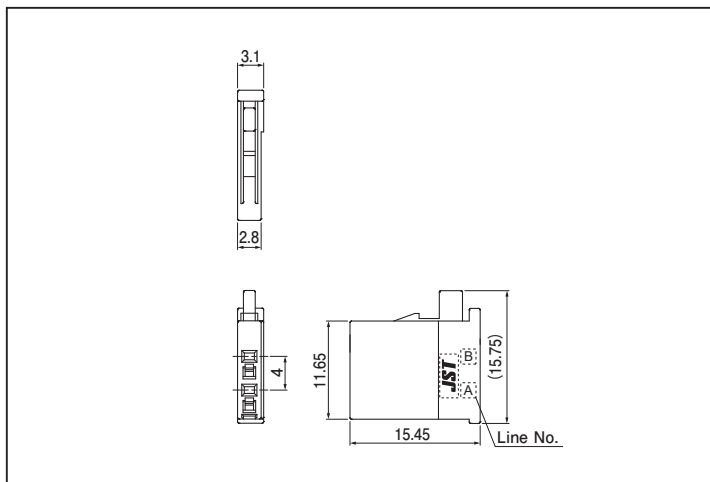
*When using the top entry type header

Specifications

- Current rating : Refer to the above table.
- Voltage rating : 250 V AC/DC
- Temperature range: -55 °C to +105 °C
(including temperature rise in applying electrical current)
- Applicable wire range : AWG #28 to AWG #20
- * Please note that the above general specifications may differ from the safety standards.
- * Please refer to the "Handling Precautions for Terminals and Connectors" on our website (listed in the "Technical Documents" column on the Product Information page) before use.
- * RoHS2 compliance
- * Dimensional unit: mm
- * Contact JST for details.

J2000 SERIES/COMMON TYPE/ J2500

Receptacle housing assembly with common connection



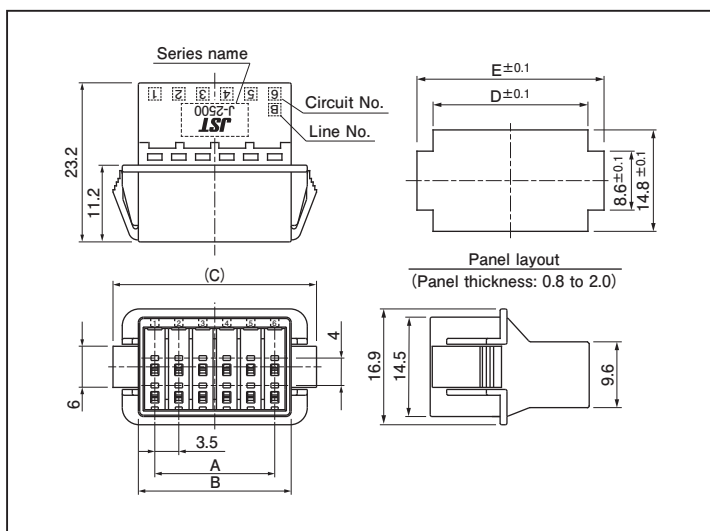
No. of circuits	Keying	Model No.	Q'ty/box
-	-	J25MF-00(2-A1D)V-EC	1,800

Material and Surface finish, etc.

Contact : Copper alloy, nickel-undercoated, selective gold-plated
Housing : PBT (GF), UL94V-0, blue

- Note: 1. Please contact JST for 0.76 μ m gold-plated products.
2. Refer to the top page of the common type (J2500) for the circuit configuration.
3. Not UL or TÜV listed.

Tab housing (Panel mounting type)



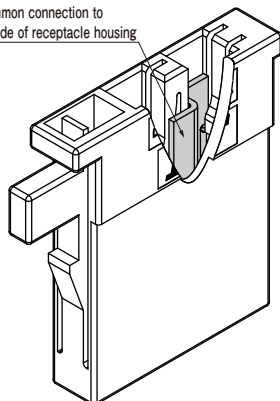
No. of circuits	Keying	Model No.	Dimensions (mm)					Q'ty
			A	B	C	D	E	
12	-	J25DPM-12V-K	17.5	22.3	29.7	22.6	27.3	200/bag
20	-	J25DPM-20V-K	31.5	36.3	43.7	36.6	41.3	132/box

Material and Surface finish, etc.

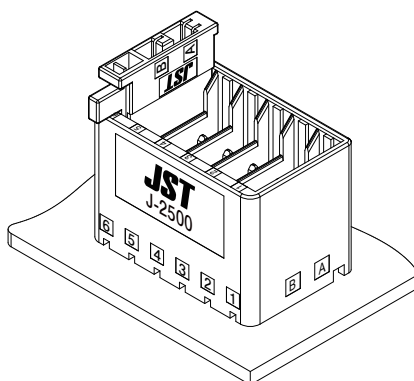
PBT (GF), UL94V-0, black

Cross-section of receptacle housing assembly with common connection

Inserted the contact for common connection to the inside of receptacle housing

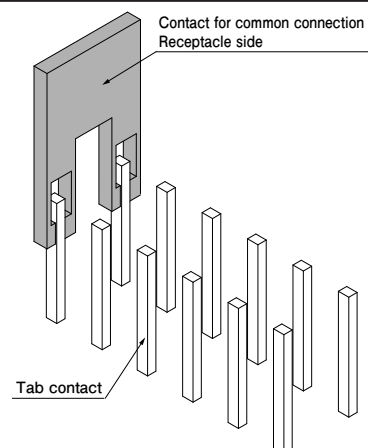


Usage illustration



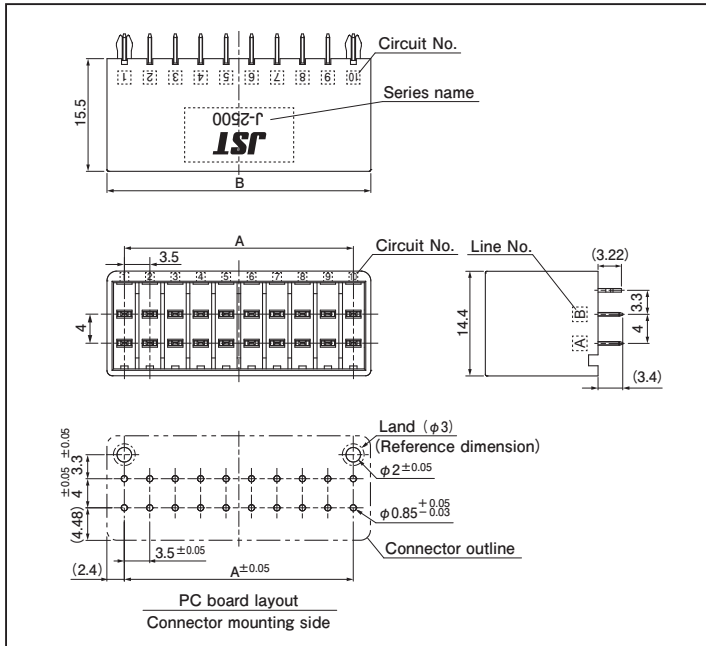
*When using the receptacle housing assembly with common connection

Circuit configuration during use



J2000 SERIES/COMMON TYPE/ J2500

Header (Top entry type)



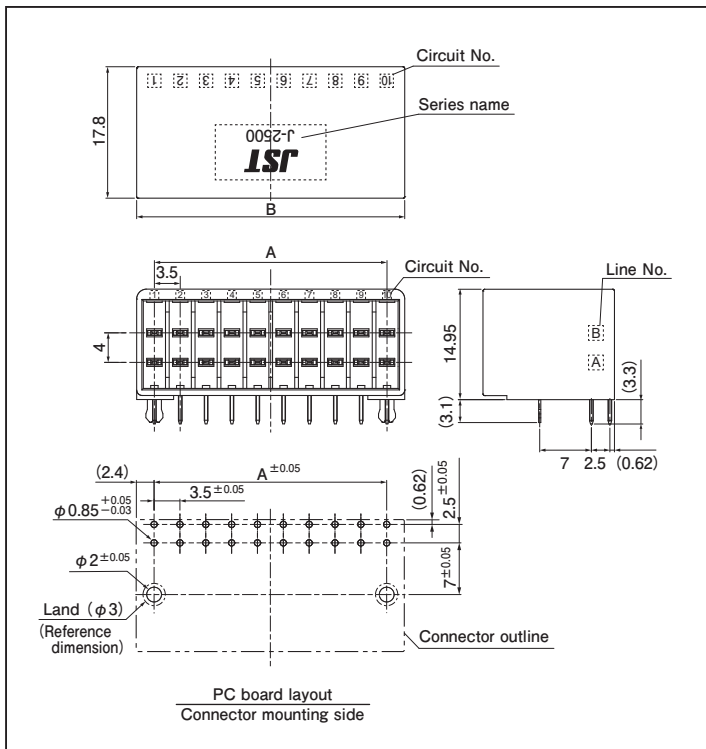
No. of circuits	Keying	Model No.	Dimensions (mm)		Q'ty/box
			A	B	
12	—	B12B-J25DK-GGR	17.5	22.3	108
20	—	B20B-J25DK-GGR	31.5	36.3	72

Material and Surface finish, etc.

Tab contact : Copper alloy, nickel-undercoated, selective gold-plated
Housing : PBT (GF), UL94V-0, black
Reinforcement : Copper alloy, nickel-undercoated, selective gold-plated

This product displays (LF) (AU) on a label.
Note: Please contact JST for 0.76 μ m gold-plated products.

Header (Side entry type)



No. of circuits	Keying	Model No.	Dimensions (mm)		Q'ty/box
			A	B	
12	—	S12B-J25DK-GGR	17.5	22.3	108
20	—	S20B-J25DK-GGR	31.5	36.3	72

Material and Surface finish, etc.

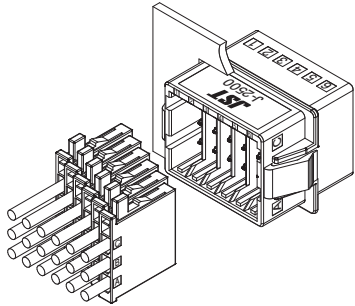
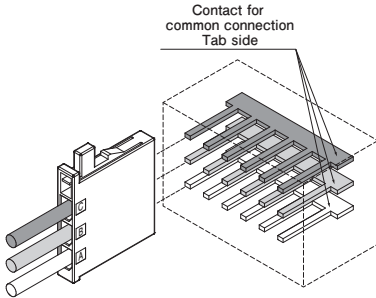
Tab contact : Copper alloy, nickel-undercoated, selective gold-plated
Housing : PBT (GF), UL94V-0, black
Reinforcement : Copper alloy, nickel-undercoated, selective gold-plated

This product displays (LF) (AU) on a label.
Note: Please contact JST for 0.76 μ m gold-plated products.

J2000 SERIES / COMMON TYPE / J2500

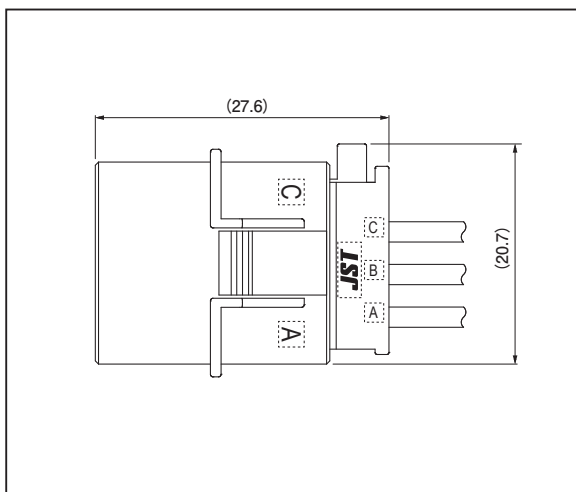
Triple-row Common type (J2500)

Unit : A

Receptacle side	Tab side	Appearance	Circuit configuration	Current rating : AC / DC					
				Wire size (AWG)					
				#20	#22	#24	#26	#28	Remarks
Normal Receptacle housing	Contact for common connection Tab side			5.5	5.0	4.5	4.0	3.5	Total input per row

- Wiring is streamlined by establishing a common connection within the connector

Assembly layout

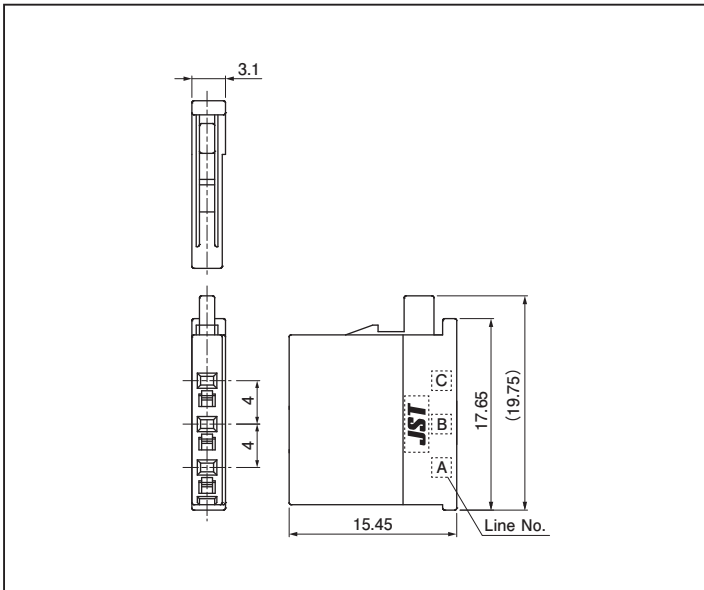


Specifications

- Current rating : Refer to the above table.
- Voltage rating : 250 V AC/DC
- Temperature range : -55 °C to +105 °C
(including temperature rise in applying electrical current)
- Applicable wire range : AWG #28 to AWG #20
- * Please note that the above general specifications may differ from the safety standards.
- * Please refer to the "Handling Precautions for Terminals and Connectors" on our website (listed in the "Technical Documents" column on the Product Information page) before use.
- * RoHS2 compliance
- * Dimensional unit: mm
- * Contact JST for details.

J2000 SERIES/COMMON TYPE/ J2500

Receptacle housing

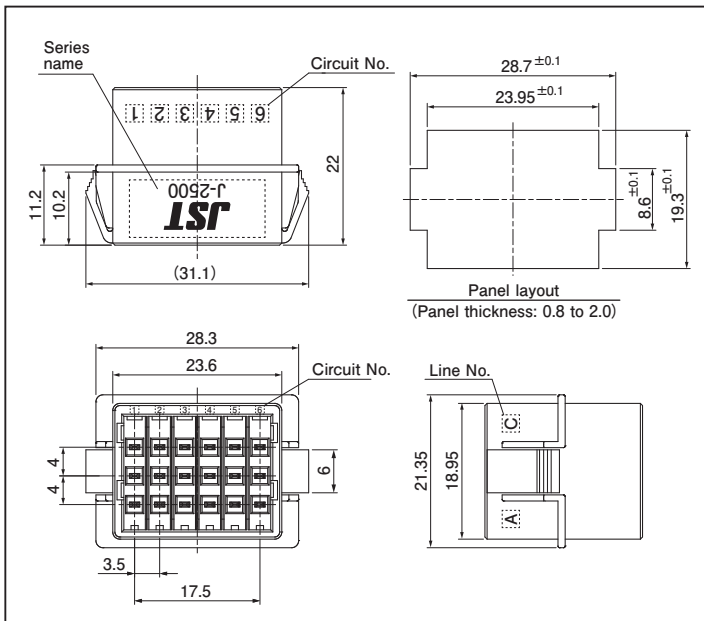


No. of circuits	Keying	Model No.	Q'ty/bag
3	-	J25TF-03V-K	600

Material and Surface finish, etc.

PBT (GF), UL94V-0, black

Common tab housing assembly



No. of circuits	Keying	Model No.	Q'ty/box
18	-	P18B-J25TK-GFR	180

Material and Surface finish, etc.

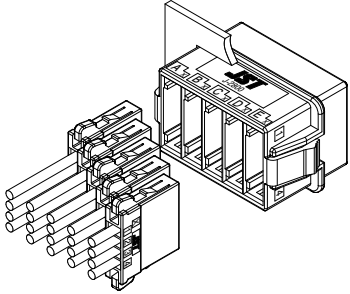
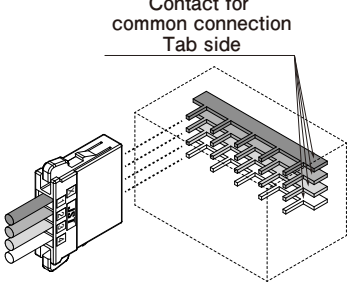
Tab contact : Copper alloy, nickel-undercoated, selective gold-plated
Housing : PBT (GF), UL94V-0, black

Note: 1. Please contact JST for 0.76 μ m gold-plated products.
2. Refer to the top page of the common type (J2500) for the circuit configuration.

J2000 SERIES / COMMON TYPE / J2800

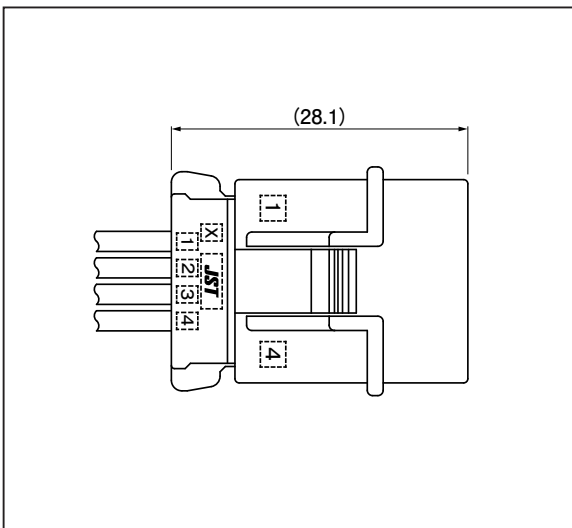
4-row Common type (J2800)

Unit : A

Receptacle side	Tab side	Appearance	Circuit configuration	Current rating : AC / DC					
				Wire size (AWG)					
				#20	#22	#24	#26	#28	Remarks
Normal Receptacle housing	Contact for common connection Tab side			4.5	4.0	3.5	3.0	2.5	Total input per row

- Wiring is streamlined by establishing a common connection within the connector

Assembly layout

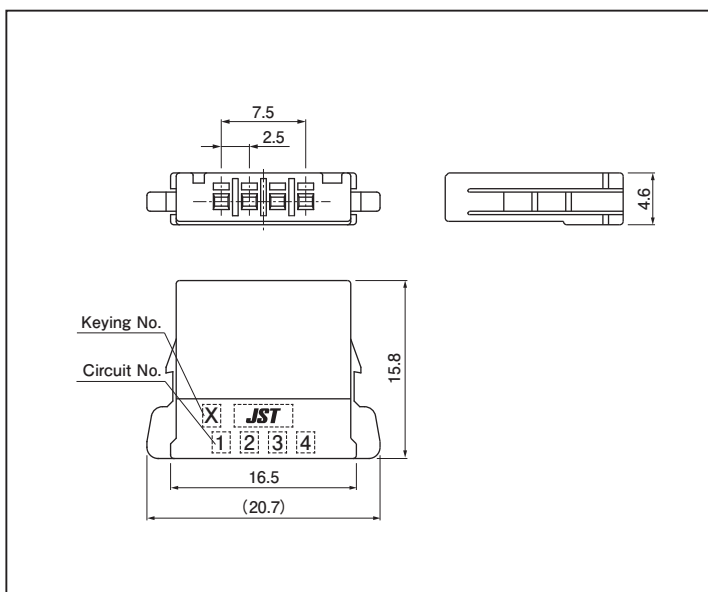


Specifications

- Current rating : Refer to the above table.
- Voltage rating : 250 V AC/DC
- Temperature range : -55 °C to +105 °C
(including temperature rise in applying electrical current)
- Applicable wire range : AWG #28 to AWG #20
- * Please note that the above general specifications may differ from the safety standards.
- * Please refer to the "Handling Precautions for Terminals and Connectors" on our website (listed in the "Technical Documents" column on the Product Information page) before use.
- * RoHS2 compliance
- * Dimensional unit: mm
- * Contact JST for details.

J2000 SERIES/COMMON TYPE/ J2800

Receptacle housing

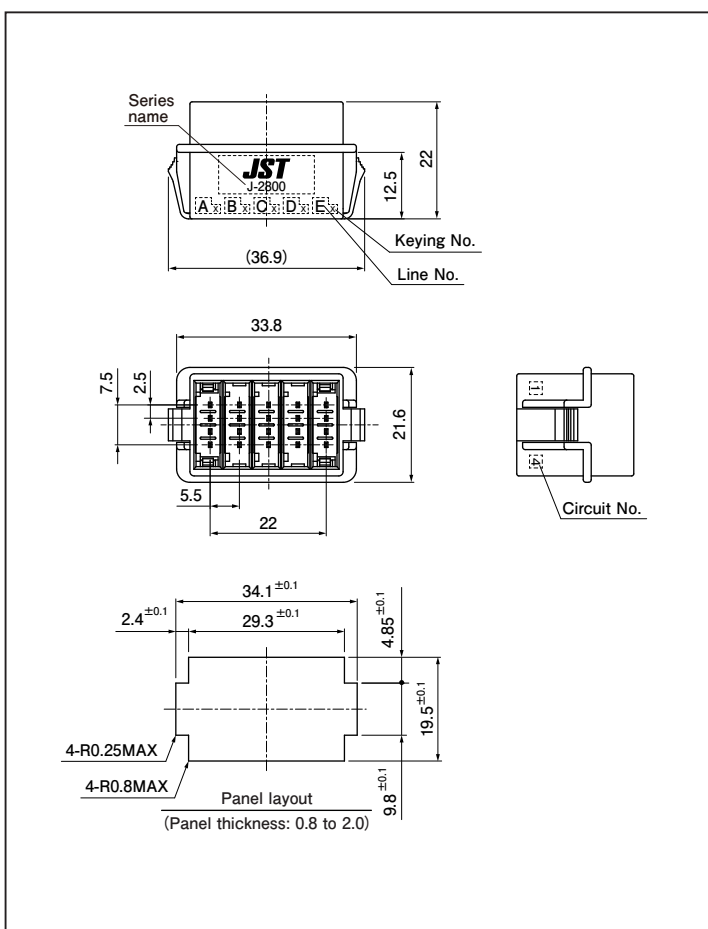


No. of circuits	Keying	Model No.	Q'ty/box
4	X	J28SF-04V-KX	1000

Material and Surface finish, etc.

PBT (GF), UL94V-0, black

Common tab housing Assembly



No. of circuits	Keying	Model No.	Q'ty/box
20	X	P20B-J28FK-GFXR	36

Material and Surface finish, etc.

Tab contact : Copper alloy, nickel-undercoated, selective gold-plated
Housing : PBT (GF), UL94V-0, black

- Note:
1. Please contact JST for 0.76 μ m gold-plated products.
 2. Refer to the top page of the common type (J2800) for the circuit configuration.
 3. Not UL or TÜV listed.

JFA CONNECTOR / J2000 SERIES

Model number allocation

Receptacle contact

S J2 F - 01 GF - P 1.0

Supply form:
 S...Strip form, B...Loose piece contact

Series name

Type: Receptacle contact

Applicable wire range: 002...AWG #28 to AWG #24
 01...AWG #24 to AWG #20
 21...AWG #22 to AWG #20

Surface finish:
 GF...Nickel-undercoated, 0.38 μm selective gold-plated
 G1...Nickel-undercoated, 0.76 μm selective gold-plated

Material: Copper alloy

Size

Tab contact

S J2 M - 01 GF - M 1.0 N

Supply form: S...Strip form
 B...Loose piece contact

Series name

Type: Tab contact

Applicable wire range:
 002...AWG #28 to AWG #24
 01...AWG #24 to AWG #20
 21...AWG #22 to AWG #20

Surface finish:
 GF...Nickel-undercoated, 0.38 μm selective gold-plated
 G1...Nickel-undercoated, 0.76 μm selective gold-plated

Material: Copper alloy

Size

Sequential: N...Normal, S...Sequential

Receptacle housing

J21 D F - 06 V - K X - L

Series name:
 J21...Center locking type
 J22...Side locking type
 J23...Module type
 J24...Hybrid type
 J25...Module type
 J28...Side locking type (Thin type)

Array: S...Single-row, D...Dual-row, M...Module,
 T...Triple-row, C...For sensor

Type:
 F...Receptacle housing
 FS...Receptacle housing (Side locking type) (J2400 series only)
 FC...Receptacle housing (Center locking type) (J2400 series only)

No. of circuits

Flammability: UL94V-0

Color: K...Black, S...Natural (White), PK...Pink,
 E...Blue, M...Green

Keying: X...X-Keying, Y...Y- Keying, Sn...Special Keying,
 E...Space (2 spaces) for Keying block,
 No indication...No Keying

Keyway type (J2100 series only):
 L...Long-key type
 No indication...Short-key type (6-circuit: Long-key type)

Tab housing

J21 D PM - 06 V - K X

Series name:
 J21...Center locking type
 J25...Module type
 J28...Side locking type (Thin type)

Array: S...Single-row, D...Dual-row

Mounting arrangement: PM...Panel mounting
 FM...Free hanging

No. of circuits

Flammability: UL94V-0

Color: K...Black

Keying:
 X...X-Keying, Y...Y-Keying, No indication...No Keying

JFA CONNECTOR / J2000 SERIES

Model number allocation

Header

S 04 B - J28 S K - GG X Q1 R

Header type:
 B...Top entry type
 S...Side entry type

No. of circuits

Part name: Assembly product

Series name:
 J21...Center locking type
 J22...Side locking type
 J24...Hybrid type
 J25...Module type
 J28...Side locking type (Thin type)

Array: S...Single-row, D...Dual-row

Color: K...Black, S...Natural (White),
 E...Blue, M...Green

Surface finish:
 GG...Nickel-undercoated, 0.38 μm selective gold-plated
 GK...Nickel-undercoated, 0.76 μm selective gold-plated

Keying: X...X-Keying, Y...Y-Keying,
 E...Space (2 spaces) for Keying block,
 No indication...No Keying

Sequential: Q1...Sequential, Blank...Normal

Packaging style: Tray

Receptacle housing assembly

J25 M F - 00 (2-A1D) V - E C

Series name: Module type

Array: Module

Type: Receptacle housing

No. of circuits
 (Number of receptacle contacts that
 can be installed)

Common configuration:
 2-A1D...Pin 1: Common for rows A and B

Flammability: UL94V-0

Color: E...Blue

Surface finish:
 C...Nickel-undercoated, 0.38 μm selective gold-plated

Common tab housing assembly

P 28 B - J23 D K - GG N R

Header type:
 P...Panel mounting

No. of circuits

Part name: Assembly product

Series name:
 J23...Common, Sensor type,
 J25...Common type,
 J25...Common type

Array: D...Dual-row, T...Triple-row, F...4-row

Color: K...Black

Surface finish:
 GG, GF...Nickel-undercoated, 0.38 μm selective gold-plated

Keying: N...Special Keying, No indication...No Keying

Packaging style: Tray

Keying block

J2 K F - V R-X

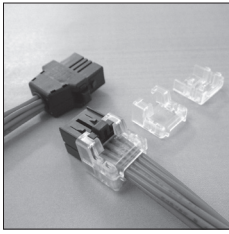
Series name:

Part name: Keying block

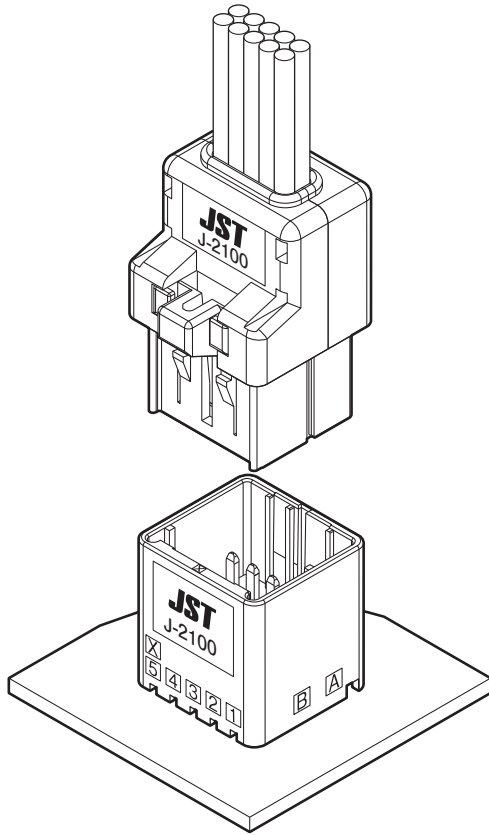
Type: F...For receptacle housing
 M...For header housing

Flammability: UL94V-0

Color/Keying: R-X...Red/X-Keying
 Y-Y...Yellow/Y-Keying
 E-Z...Blue/Z-Keying




JFA CONNECTOR J2000 SERIES PROTECTOR



This prevents foreign objects and debris from entering between the wire and contact points while the connector is in use. However, it does not provide a wire-retention function.

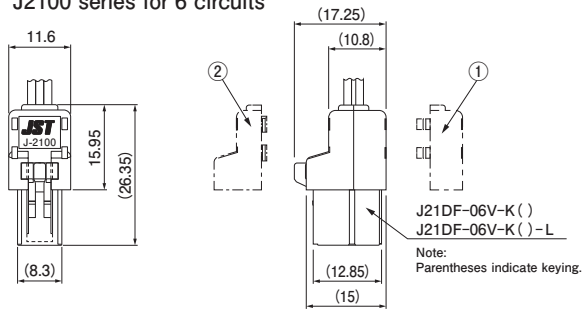
Note) Protector not UL listed.

Standards

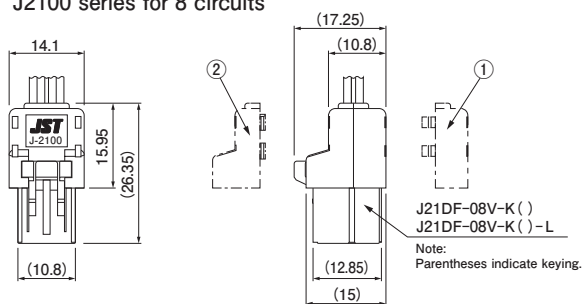
 : J50209682

J2000 Series

• J2100 series for 6 circuits



• J2100 series for 8 circuits



No.	Model No.	Color	Q'ty/box
1	J21PF-06SCA	Transparent	2,250
2	J21PF-06SCB	Transparent	2,100

Material and Surface finish, etc.

Polycarbonate

No.	Model No.	Color	Q'ty/box
1	J21PF-08SCA	Transparent	480
2	J21PF-08SCB	Transparent	270

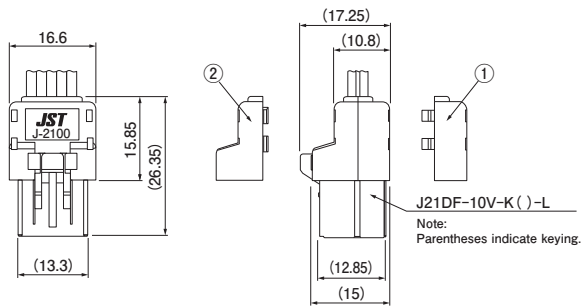
Material and Surface finish, etc.

Polycarbonate

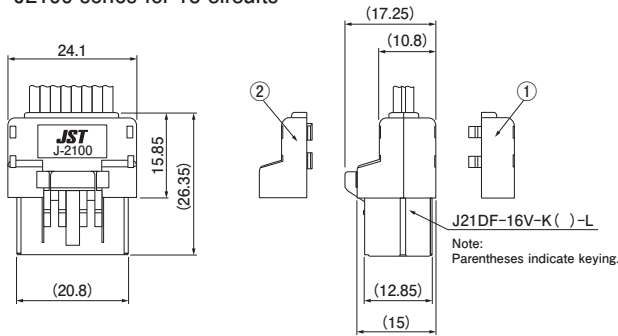
JFA CONNECTOR J2000 SERIES PROTECTOR

J2000 Series

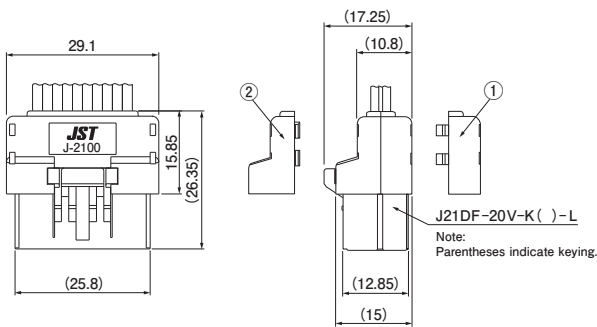
• J2100 series for 10 circuits



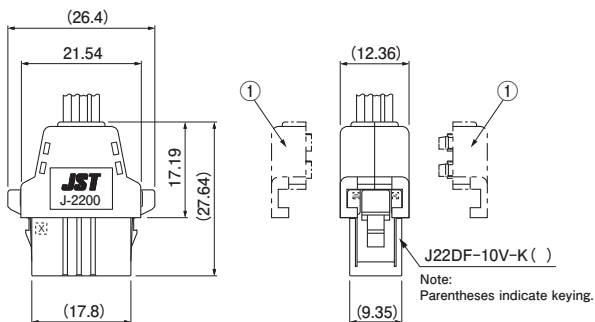
• J2100 series for 16 circuits



• J2100 series for 20 circuits



• J2200 series for 10 circuits



No.	Model No.	Color	Q'ty/box
1	J21PF-10VKA	Black	390
	J21PF-10SCA	Transparent	390
2	J21PF-10VKB	Black	234
	J21PF-10SCB	Transparent	234

Material and Surface finish, etc.

Black: PBT (GF)
Transparent: Polycarbonate

Note: Please use items 1 and 2 as a matching set of the same color.

No.	Model No.	Color	Q'ty/box
1	J21PF-16VKA	Black	270
	J21PF-16SCA	Transparent	270
2	J21PF-16VKB	Black	162
	J21PF-16SCB	Transparent	162

Material and Surface finish, etc.

Black: PBT (GF)
Transparent: Polycarbonate

Note: Please use items 1 and 2 as a matching set of the same color.

No.	Model No.	Color	Q'ty/box
1	J21PF-20VKA	Black	210
	J21PF-20SCA	Transparent	210
2	J21PF-20VKB	Black	126
	J21PF-20SCB	Transparent	126

Material and Surface finish, etc.

Black: PBT (GF)
Transparent: Polycarbonate

Note: Please use items 1 and 2 as a matching set of the same color.

No.	Model No.	Color	Q'ty/box
1	J22PF-10VK	Black	420

Material and Surface finish, etc.

PBT (GF)

Note: Two protectors are used.