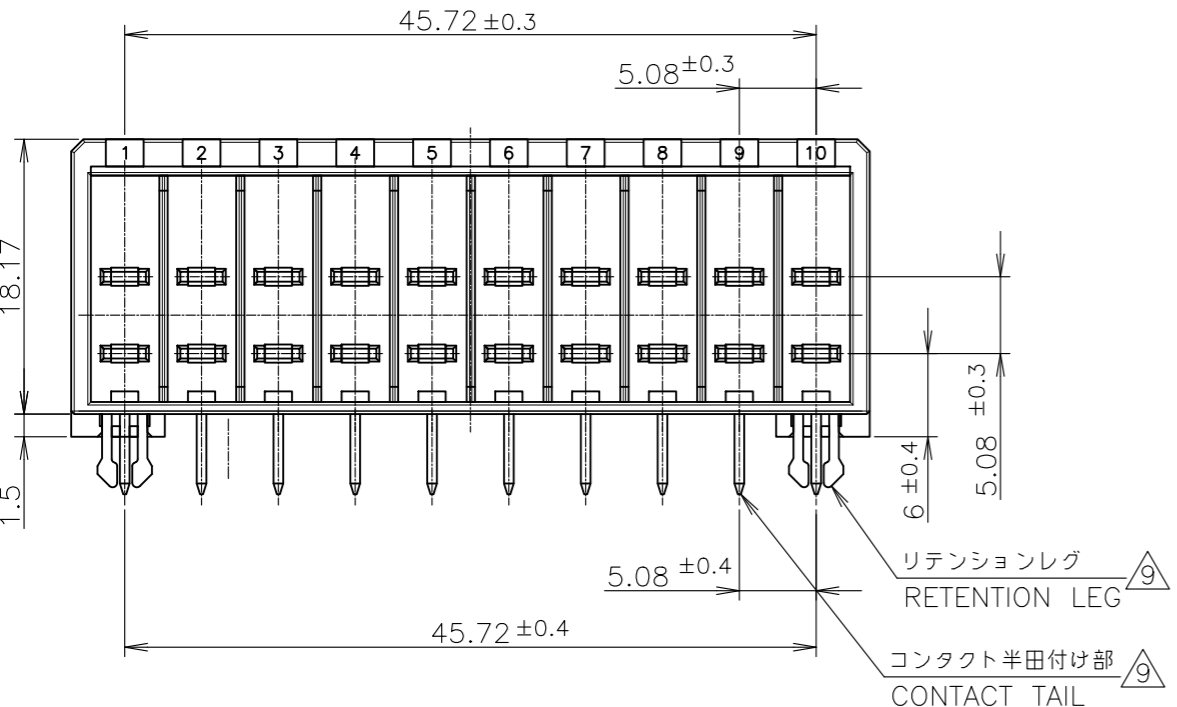
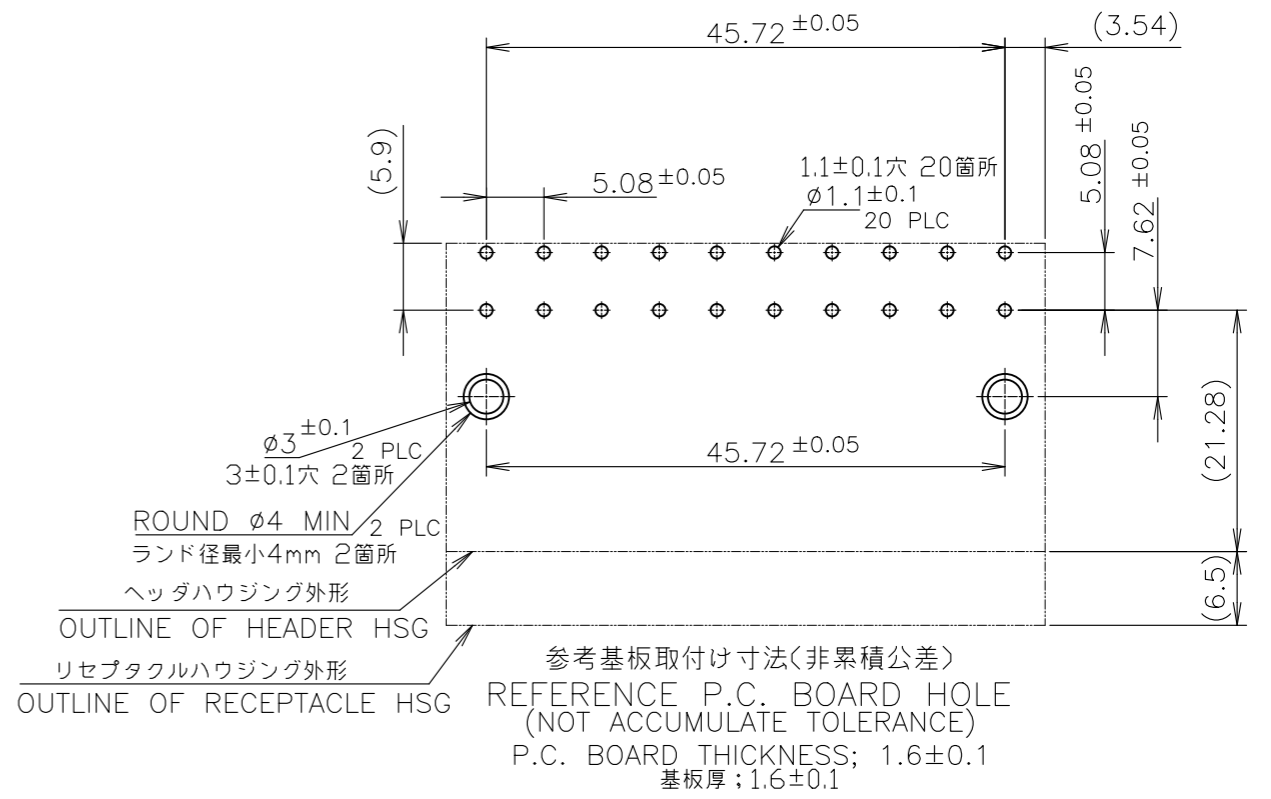
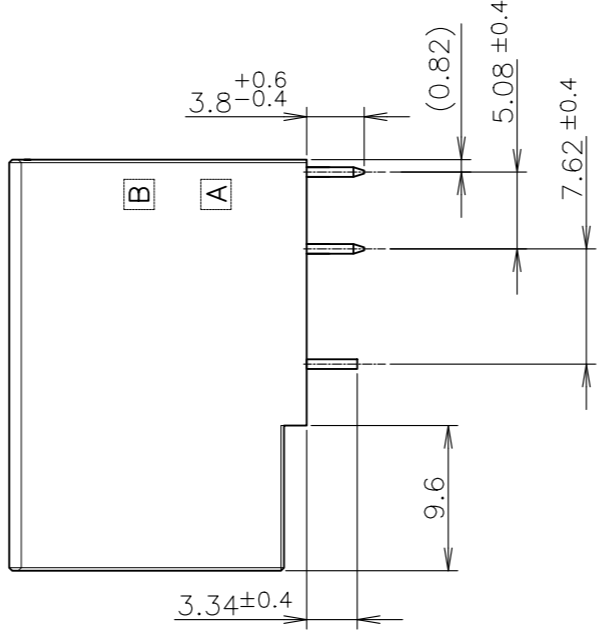
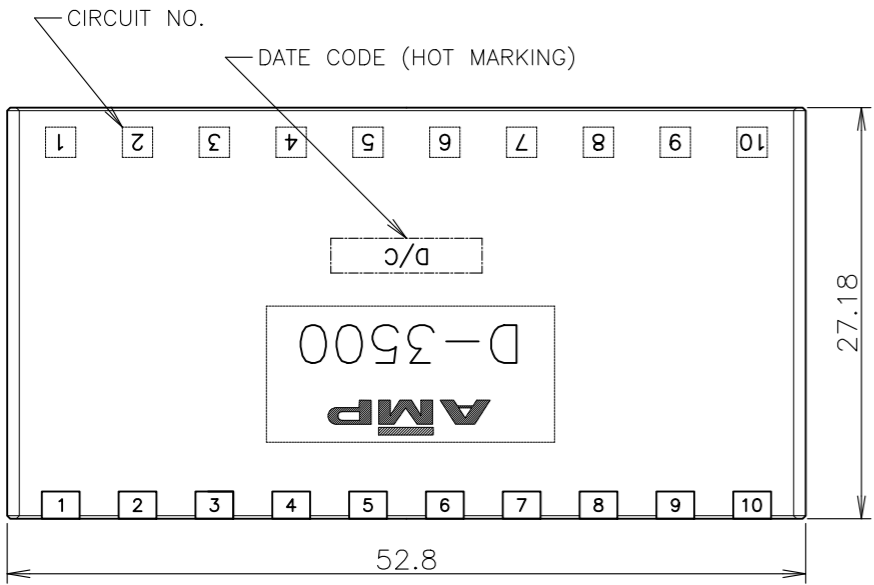
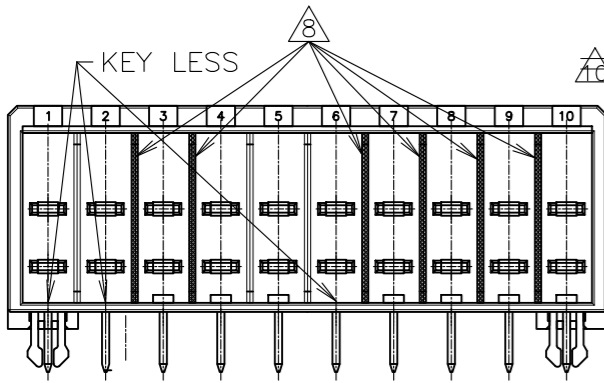


REVISIONS 変更					
P	LTR	DESCRIPTION	DATE	DWN	APVD
	H	REVISED PER ECR-25-250800	31JAN2025	FZ	RB



- 1 MATERIAL; GLASS FIELD THERMO PLASTIC, POLYESTER. COLOR; BLACK
- 2 PRODUCT SPEC; 108-5349
- 3 QUALIFICATION TEST REPORT; 501-5013
- ④ FINISH (CONTACT AREA); 0.38μm PdNi & Au PLATING OVER NICKEL
- ⑤ FINISH (CONTACT AREA); 0.76μm PdNi & Au PLATING OVER NICKEL
- ⑥ FINISH (CONTACT); 2.0u MIN. TIN PLT. OVER NICKEL.
- ⑦ FINISH (RETENTION LEG AND CONTACT TAIL); TIN LEAD PLT. OVER NICKEL.
- ⑧ 6 PLACES MARKING, WHITE
- ⑨ FINISH (RETENTION LEG AND CONTACT TAIL); TIN PLT. OVER NICKEL.
- ⑩ OBSOLETE PARTS: OBSOLETE CIS STREAMLINING PER D.RENAUD/D.SINISI



FINISH	型番 PART NUMBER	マーキング MARKING
⑨ ④	3-175365-2	⑧
⑨ ⑥	175365-5	
⑨ ⑤	175365-3	
⑨ ④	175365-2	

GENERAL TOLERANCE 一般公差	
10 ≥	±0.2
30 ≥ > 10	±0.25
100 ≥ > 30	±0.3
ANGLES: ±3°	

THIS DRAWING IS A CONTROLLED DOCUMENT.

DWN T.YONEBAYASHI 18MAR1992	TE Connectivity DYNAMIC D-3500 20 POS HDR ASSY
CHK S.MANABE 07APR1992	
APVD S.MANABE 07APR1992	NAME 名称
PRODUCT SPEC 製品規格	SIZE A3
APPLICATION SPEC 取付適用規格	CAGE CODE 00779
WEIGHT 0.000000	DRAWING NO 番号 G-175365
MATERIAL 材料 SEE NOTE 注記参照	RESTRICTED TO
CUSTOMER DRAWING	SCALE 尺度 2:1
	SHEET 1 OF 1
	REV H