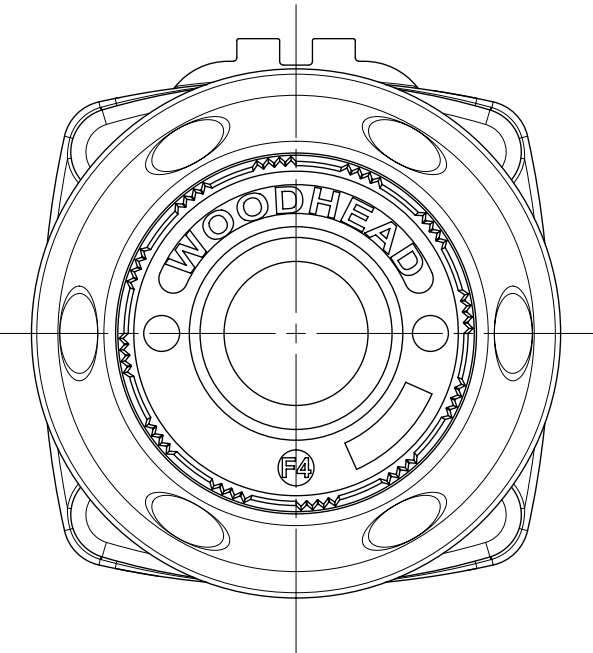
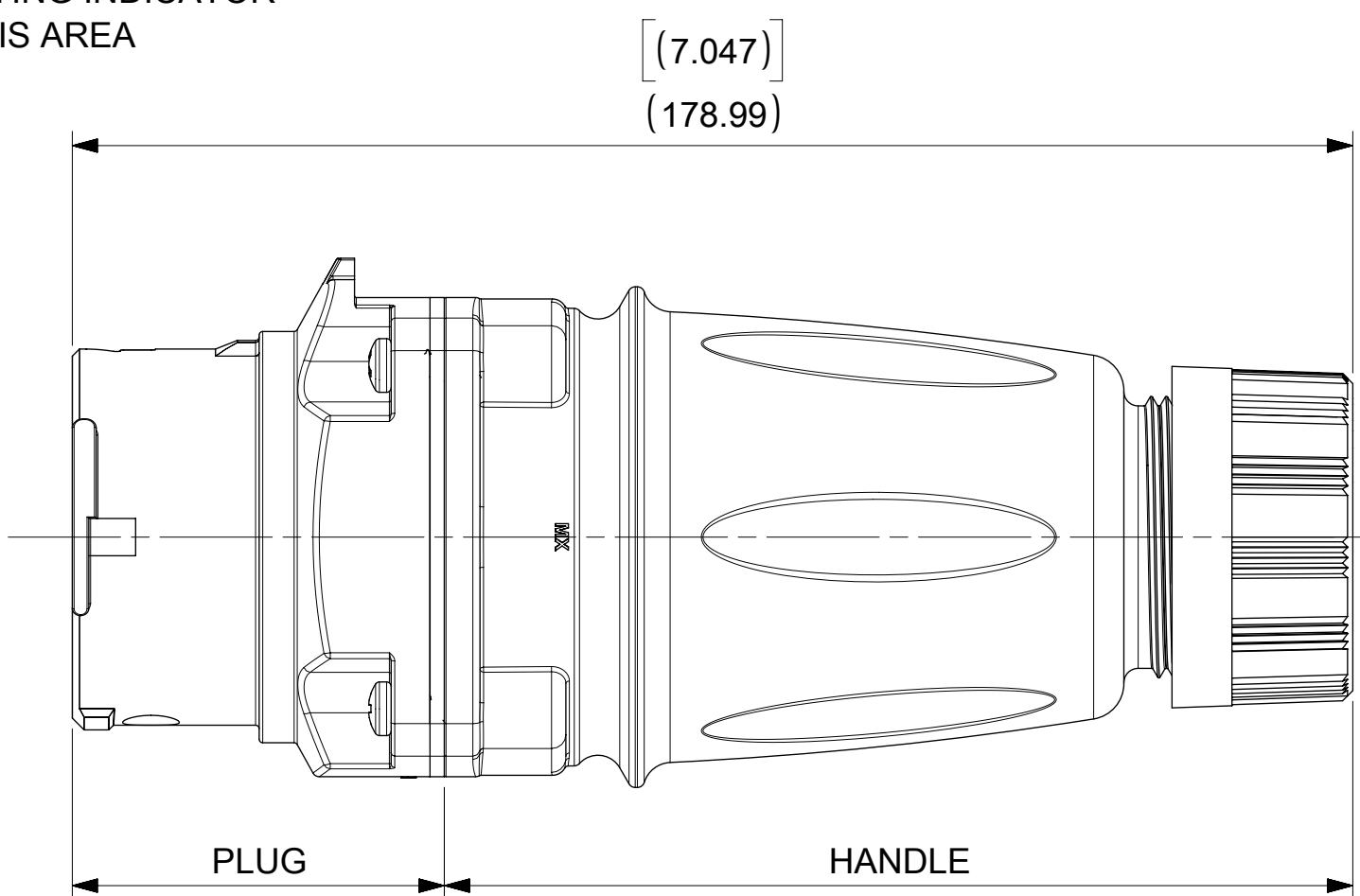
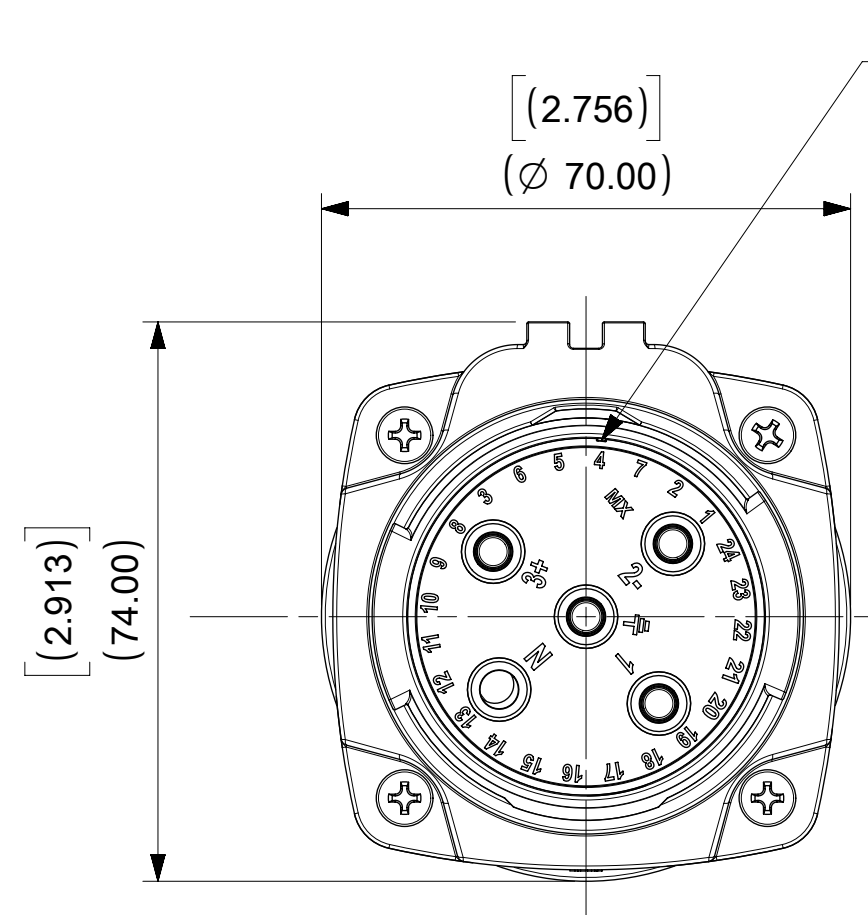


MATERIAL NUMBER	ENG NO.	DESCRIPTION	INSULATING KEYING POSITION	HORSEPOWER RATING
1122191029	ARC30MHA01	ARC 30A MH 125VAC 1P+N+G	7	1 HP
1122191030	ARC30MHB02	ARC 30A MH 250VAC 2P+G		3 HP
1122191031	ARC30MHB03	ARC 30A MH 250VAC 3P+G		5 HP
1122191032	ARC30MHAB04	ARC 30A MH 125/250VAC 2P+N+G		NA
1122191033	ARC30MHC02	ARC 30A MH 208VAC 2P+G	16	NA
1122191034	ARC30MHC03	ARC 30A MH 208VAC 3P+G		5 HP
1122191035	ARC30MHAC05	ARC 30A MH 120/208VAC 3P+N+G		NA
1122191036	ARC30MHD01	ARC 30A MH 277VAC 1P+N+G	4	NA
1122191037	ARC30MHE02	ARC 30A MH 480VAC 2P+G		NA
1122191038	ARC30MHE03	ARC 30A MH 480VAC 3P+G		10 HP
1122191039	ARC30MHDE05	ARC 30A MH 277/480VAC 3P+N+G		NA
1122191040	ARC30MHF02	ARC 30A MH 600VAC 2P+G	14	NA
1122191041	ARC30MHF03	ARC 30A MH 600VAC 3P+G		NA
1122191042	ARC30MHGF05	ARC 30A MH 347/600VAC 3P+N+G		NA



NOTES:

- MATERIALS:**
 HOUSINGS AND INSULATORS: GLASS FILLED PBT
 CONTACTS: COPPER ALLOY WITH A SILVER NICKEL TIP, SILVER PLATED
 MOUNTING GASKETS: SILICONE
 GROMMET - RUBBER
 FRICTION RING - NATURAL POLYETHYLENE
 COMPRESSION NUT - BLACK PBT
 SELF TAPPING SCREWS - STAINLESS STEEL
 PLUG CAP - RUBBER

- RATINGS:**
 CURRENT: 30 AMPS
 VOLTAGE AND HORSEPOWER: SEE TABLE
 OPERATING TEMPERATURE: -25°C(-13°F) TO 60°C(140°F)
 ENVIRONMENTAL: TYPE 4X, IP69K
 WIRING CAPACITY: 12 AWG MIN. TO 8 AWG MAX.
 TORQUE TERMINAL SCREWS TO 1.7N-M (15 in/lbs)
 AGENCY: UL LISTING PENDING
 SWITCH RATED RECEPTACLE/CONNECTOR
 BRANCH CIRCUIT DISCONNECT SWITCH
 MOTOR CIRCUIT DISCONNECT SWITCH IF HP RATED

PLUG, HANDLE AND PLUG CAP(NOT SHOWN IN ALL VIEWS) ARE PACKAGED AS SUB-ASSEMBLIES AND WILL REQUIRE END USER ASSEMBLY.

THIS DRAWING REPLACES SD-112219-103.

ARC30MHE03 SHOWN

GROMMET P/N	GROMMET COLOR	CABLE DIAMETER RANGE
1301800411	GRAY	12.7mm - 15.9mm (0.500" - 0.625")
1301800283	ORANGE	15.9mm - 19.0mm (0.625" - 0.750")
1301800413	BLACK	19.0mm - 22.2mm (0.750" - 0.875")

SYMBOLS DIMENSION UNITS: INCH SCALE: 1:1 CURRENT REV DESC: ADDED 10HP,NEW NOTES GENERAL TOLERANCES (UNLESS SPECIFIED) 4 PLACES ± ± 3 PLACES ± ± 2 PLACES ± ± 1 PLACE ± ± 0 PLACES ± ± ANGULAR TOL ± ° DRAFT WHERE APPLICABLE MUST REMAIN WITHIN DIMENSIONS THIRD ANGLE PROJECTION DRAWING SERIES: C-SIZE 112219	THIS DRAWING CONTAINS INFORMATION THAT IS PROPRIETARY TO MOLEX ELECTRONIC TECHNOLOGIES, LLC AND SHOULD NOT BE USED WITHOUT WRITTEN PERMISSION		molex ARC 30A MH 480VAC 3P+G PRODUCT CUSTOMER DRAWING	
	EC NO: 604773 DRWN: MJANTELEZIO 2018/09/20 CHK'D: JFMURPHY 2018/11/05 APPR: JFMURPHY 2018/11/05		DOCUMENT NUMBER: 1122191038 DOC TYPE: PSD DOC PART: 000 REVISION: B2	
	INITIAL REVISION: DRWN: DRWN BY XXXX/XX/XX APPR: APPR BY XXXX/XX/XX		MATERIAL NUMBER: GENERAL MARKET CUSTOMER: GENERAL MARKET SHEET NUMBER: 1 OF 1	
	THIS DRAWING REPLACES SD-112219-103.		THIS DRAWING REPLACES SD-112219-103.	