

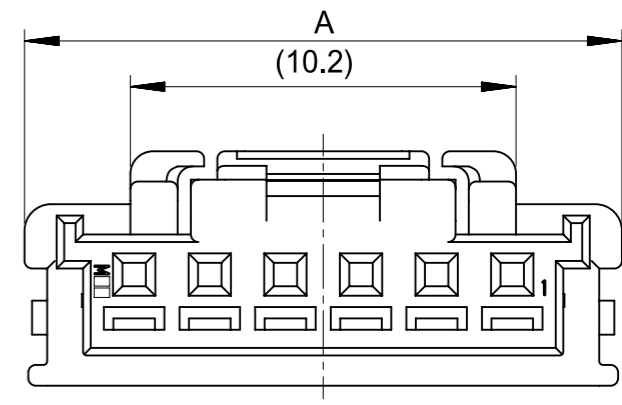
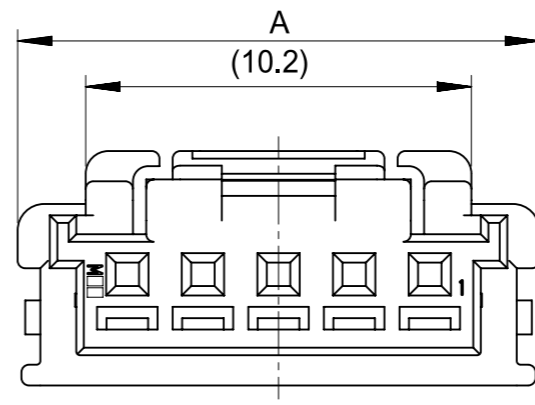
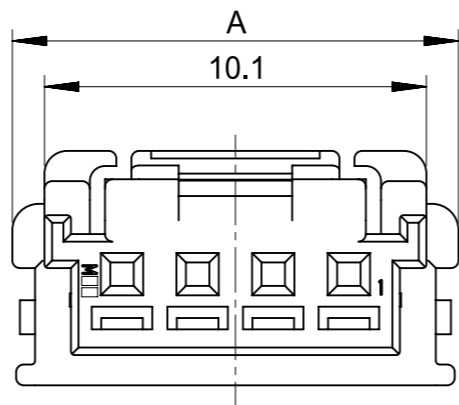
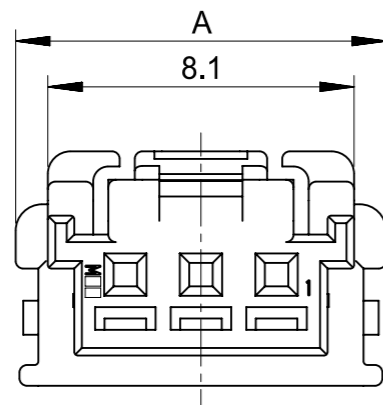
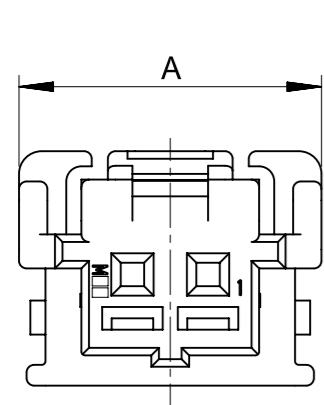
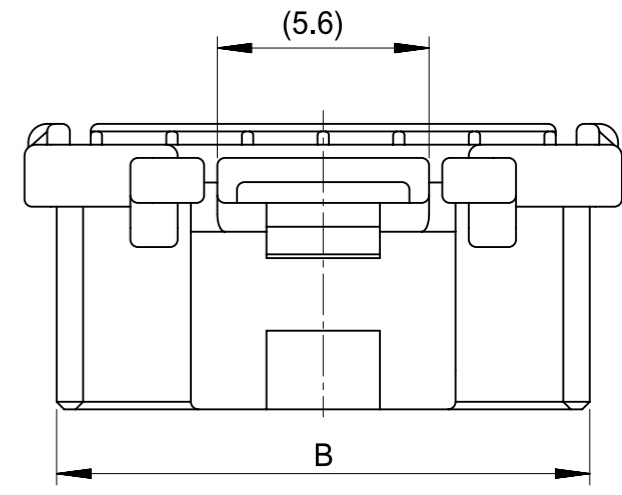
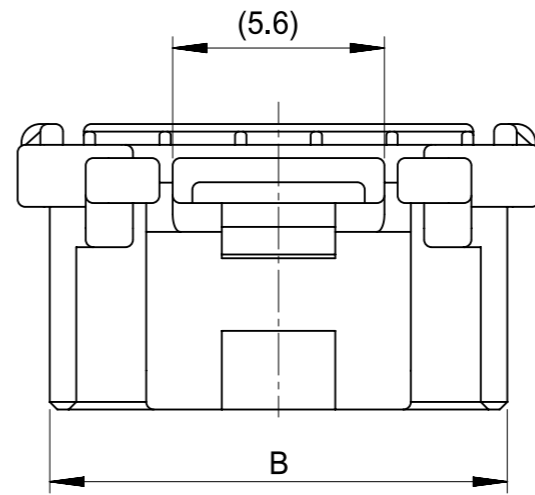
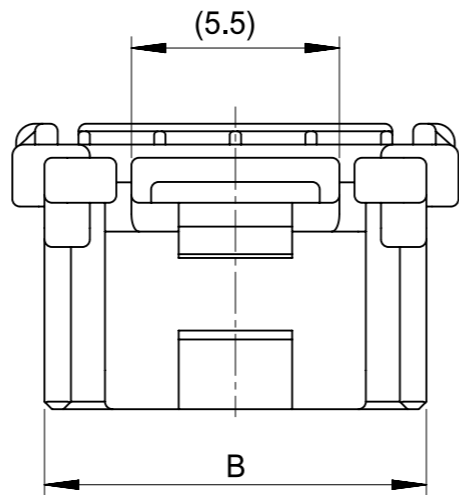
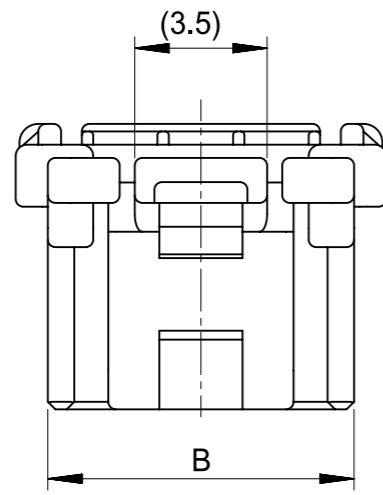
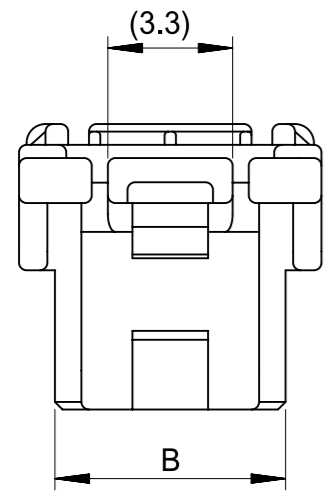
NOTES

- 1.材料 : PA,UL94V-2  
MATERIAL:PA,UL94V-2
- 2.色 : 黒、白、詳細はシート4の表を参照  
COLOR:BLACK,WHITE, SEE CHART OF SHEET4
- 3.嵌合端子 : 505153,505487シリーズ  
APPLICABLE TERMINAL:505153,505487 SERIES
- 4.嵌合相手 : 502352,560020シリーズ  
MATE WITH: 502352, 560020 SERIES
- 5.適合リテーナー : 505152シリーズ  
APPLICABLE RETAINER: 505152 SERIES
- 6.ELV 及びRoHS適合  
ELV AND RoHS COMPLIANT

36.6	34	32.1	33.8	505151150*	15
34.6	32	30.1	31.8	505151140*	14
32.6	30	28.1	29.8	505151130*	13
30.6	28	26.1	27.8	505151120*	12
28.6	26	24.1	25.8	505151110*	11
26.6	24	22.1	23.8	505151100*	10
24.6	22	20.1	21.8	505151090*	9
22.6	20	18.1	19.8	505151080*	8
20.6	18	16.1	17.8	505151070*	7
18.6	16	14.1	15.8	505151060*	6
16.6	14	12.1	13.8	505151050*	5
14.6	12	10.1	11.8	505151040*	4
12.6	10	8.1	9.8	505151030*	3
10.9	8	6.1	8.0	505151020*	2
D	C	B	A	MATERIAL NO.	CIRCUIT

THIS DRAWING CONTAINS INFORMATION THAT IS PROPRIETARY TO MOLEX ELECTRONIC TECHNOLOGIES, LLC AND SHOULD NOT BE USED WITHOUT WRITTEN PERMISSION

DIMENSION UNITS <b>MM</b>	SCALE <b>5:1</b>	CURRENT REV DESC: REVISED		<b>molex</b>		
GENERAL TOLERANCES (UNLESS SPECIFIED)		EC NO: CO-000027854				
ANGULAR TOL ± 3°		DRWN: Seon Ah Kim 18-Jul-2025		PRODUCT CUSTOMER DRAWING		
4 PLACES ± 0.2		CHK'D: Hiromichi Komatsu 18-Jul-2025		DOCUMENT NUMBER		
3 PLACES ± 0.25		APPR: tiida01 18-Jul-2025		SD-505151-001		
2 PLACES ± 0.3		INITIAL REVISION:		DOC TYPE DOC PART REVISION		
1 PLACE ± 0.1		DRWN: MIKEDA01 03-Mar-2014		PSD 001 E2		
0 PLACES ± 0		APPR: NUKITA 28-Mar-2014		MATERIAL NUMBER		
DRAFT WHERE APPLICABLE MUST REMAIN WITHIN DIMENSIONS		THIRD ANGLE PROJECTION	DRAWING	SERIES	CUSTOMER	SHEET NUMBER
			A3-SIZE	505151	SEE SHEET 4	GENERAL MARKET 1 OF 4



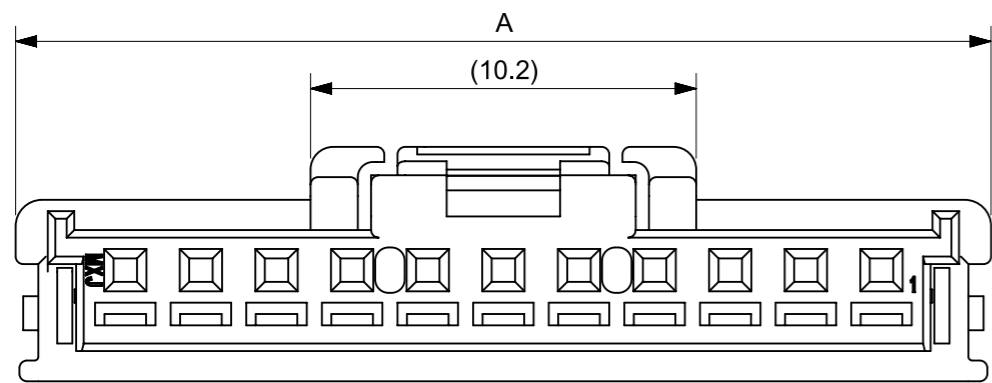
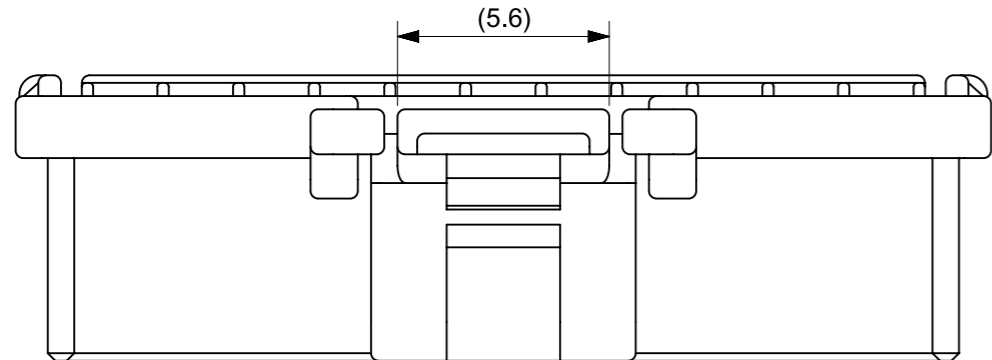
2 CKTS

3 CKTS

4 CKTS

5 CKTS

6-10 CKTS



11 CKT OR MORE

THIS DRAWING CONTAINS INFORMATION THAT IS PROPRIETARY TO MOLEX ELECTRONIC TECHNOLOGIES, LLC AND SHOULD NOT BE USED WITHOUT WRITTEN PERMISSION

DIMENSION UNITS	SCALE	CURRENT REV DESC: REVISED	
MM	5:1		
GENERAL TOLERANCES (UNLESS SPECIFIED)			
ANGULAR TOL		± 3°	
4 PLACES	± 0.2	EC NO: CO-000027854	
3 PLACES	± 0.25	DRWN: Seon Ah Kim 18-Jul-2025	
2 PLACES	± 0.3	CHK'D: Hiromichi Komatsu 18-Jul-2025	
1 PLACE	± 0.1	APPR: tiida01 18-Jul-2025	
0 PLACES	± 0	INITIAL REVISION:	
DRAFT WHERE APPLICABLE MUST REMAIN WITHIN DIMENSIONS		DRWN: MIKEDA01 03-Mar-2014	
THIRD ANGLE PROJECTION		APPR: NUKITA 28-Mar-2014	
DRAWING		SERIES	MATERIAL NUMBER
A3-SIZE		505151	SEE SHEET 4
CUSTOMER		GENERAL MARKET	
DOCUMENT NUMBER		DOC TYPE	DOC PART
SD-505151-001		PSD	001
SHEET NUMBER		2 OF 4	

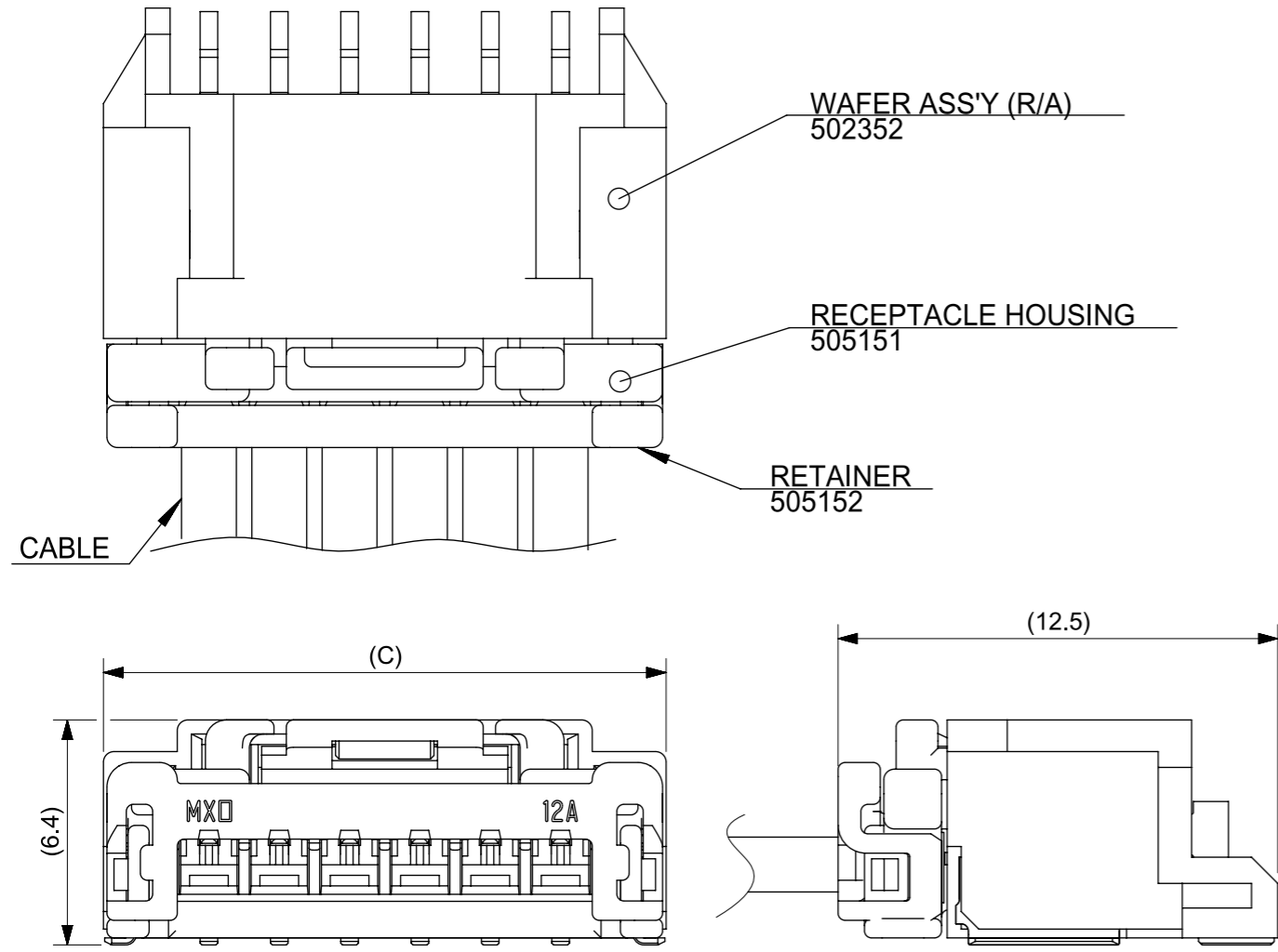
**molex**

2.0MM PITCH W/B CONN.

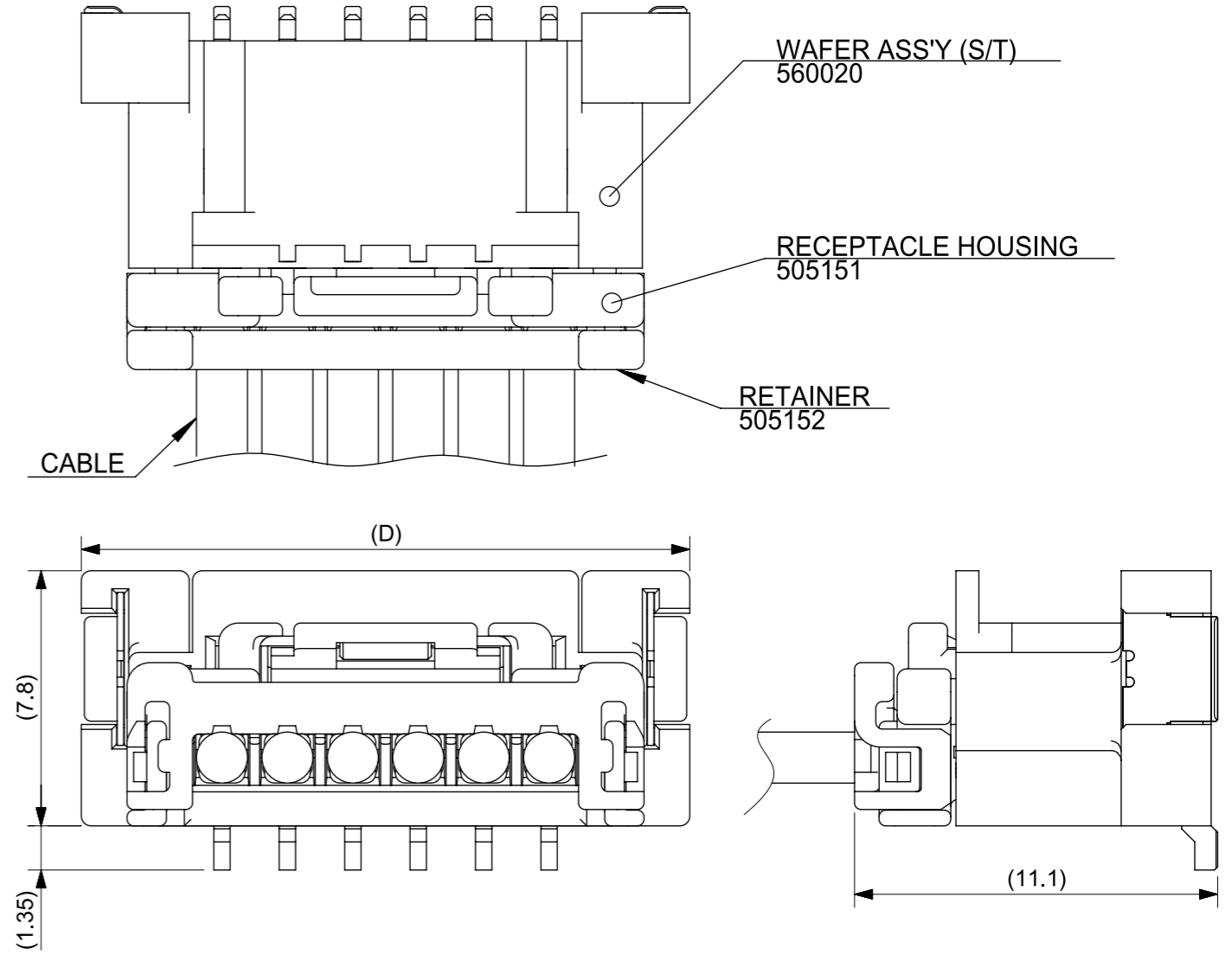
PRODUCT CUSTOMER DRAWING

# 嵌合図

## Right Angle: 502352 series



## Straight: 560020 series



THIS DRAWING CONTAINS INFORMATION THAT IS PROPRIETARY TO MOLEX ELECTRONIC TECHNOLOGIES, LLC AND SHOULD NOT BE USED WITHOUT WRITTEN PERMISSION

DIMENSION UNITS <b>MM</b>	SCALE <b>5:1</b>	CURRENT REV DESC: REVISED		<b>molex</b>		
GENERAL TOLERANCES (UNLESS SPECIFIED)		EC NO: CO-000027854				
0.25 UNDER	±0.03	ANGULAR TOL	± 3°	DRWN: Seon Ah Kim		18-Jul-2025
0.25 OVER 0.5 UNDER	±0.05	4 PLACES	± 0.2	CHK'D: Hiromichi Komatsu		18-Jul-2025
0.5 OVER 1.0 UNDER	±0.1	3 PLACES	± 0.25	APPR: tiida01		18-Jul-2025
1.0 OVER 10 UNDER	±0.2	2 PLACES	± 0.3	INITIAL REVISION:		
10 OVER 30 UNDER	±0.25	1 PLACE	± 0.1	DRWN: MIKEDA01		03-Mar-2014
30 OVER	±0.3	0 PLACES	± 0	APPR: NUKITA		28-Mar-2014
DRAFT WHERE APPLICABLE MUST REMAIN WITHIN DIMENSIONS		THIRD ANGLE PROJECTION		DRAWING	SERIES	MATERIAL NUMBER
				A3-SIZE	505151	SEE SHEET 4
				CUSTOMER	GENERAL MARKET	
				DOCUMENT NUMBER	SD-505151-001	DOC TYPE DOC PART REVISION
					PSD	001 E2
				PRODUCT CUSTOMER DRAWING		SHEET NUMBER
						3 OF 4

9 8 7 6 5 4 3 2 1

E

E

D

D

C

C

B

B

A

A

WHITE	BLACK	HSG COLOR
5051511501	5051511500	15
5051511401	5051511400	14
5051511301	5051511300	13
5051511201	5051511200	12
5051511101	5051511100	11
5051511001	5051511000	10
5051510901	5051510900	9
5051510801	5051510800	8
5051510701	5051510700	7
5051510601	5051510600	6
5051510501	5051510500	5
5051510401	5051510400	4
5051510301	5051510300	3
5051510201	5051510200	2
MATERIAL NO.	MATERIAL NO.	CIRCUIT

THIS DRAWING CONTAINS INFORMATION THAT IS PROPRIETARY TO MOLEX ELECTRONIC TECHNOLOGIES, LLC AND SHOULD NOT BE USED WITHOUT WRITTEN PERMISSION

0.25 UNDER	±0.03
0.25 OVER 0.5 UNDER	±0.05
0.5 OVER 1.0 UNDER	±0.1
1.0 OVER 10 UNDER	±0.2
10 OVER 30 UNDER	±0.25
30 OVER	±0.3

DIMENSION UNITS	SCALE
MM	5:1
GENERAL TOLERANCES (UNLESS SPECIFIED)	
ANGULAR TOL	± 3°
4 PLACES	± 0.2
3 PLACES	± 0.25
2 PLACES	± 0.3
1 PLACE	± 0.1
0 PLACES	± 0
DRAFT WHERE APPLICABLE MUST REMAIN WITHIN DIMENSIONS	

CURRENT REV DESC: REVISED

EC NO: CO-000027854  
 DRWN: Seon Ah Kim 18-Jul-2025  
 CHK'D: Hiromichi Komatsu 18-Jul-2025  
 APPR: tiida01 18-Jul-2025

INITIAL REVISION:  
 DRWN: MIKEDA01 03-Mar-2014  
 APPR: NUKITA 28-Mar-2014

**molex**

2.0MM PITCH W/B CONN.

PRODUCT CUSTOMER DRAWING

DOCUMENT NUMBER	DOC TYPE	DOC PART	REVISION
SD-505151-001	PSD	001	E2

MATERIAL NUMBER	CUSTOMER	SHEET NUMBER
SEE SHEET 4	GENERAL MARKET	4 OF 4

DOCUMENT STATUS	Production	RELEASE DATE	18-Jul-2025 09:17:02
-----------------	------------	--------------	----------------------

9 8 7 6 5 4 3 2 1

FORMAT: master-b-prod-A3  
 REVISION: 11  
 DATE: 2018/01/18