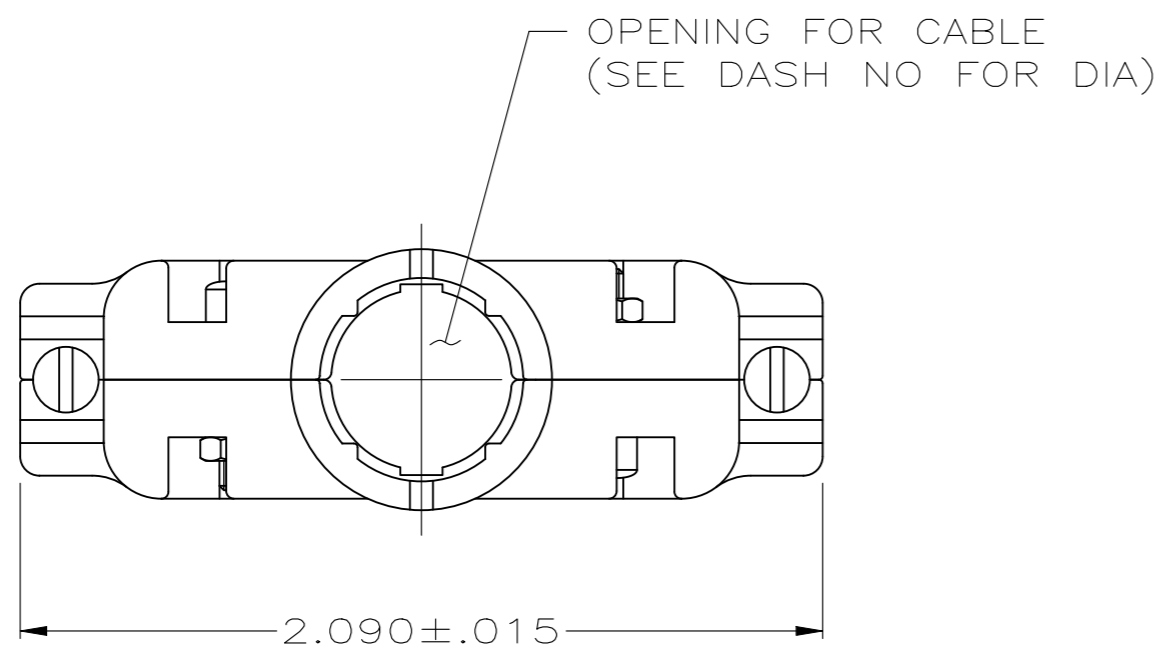
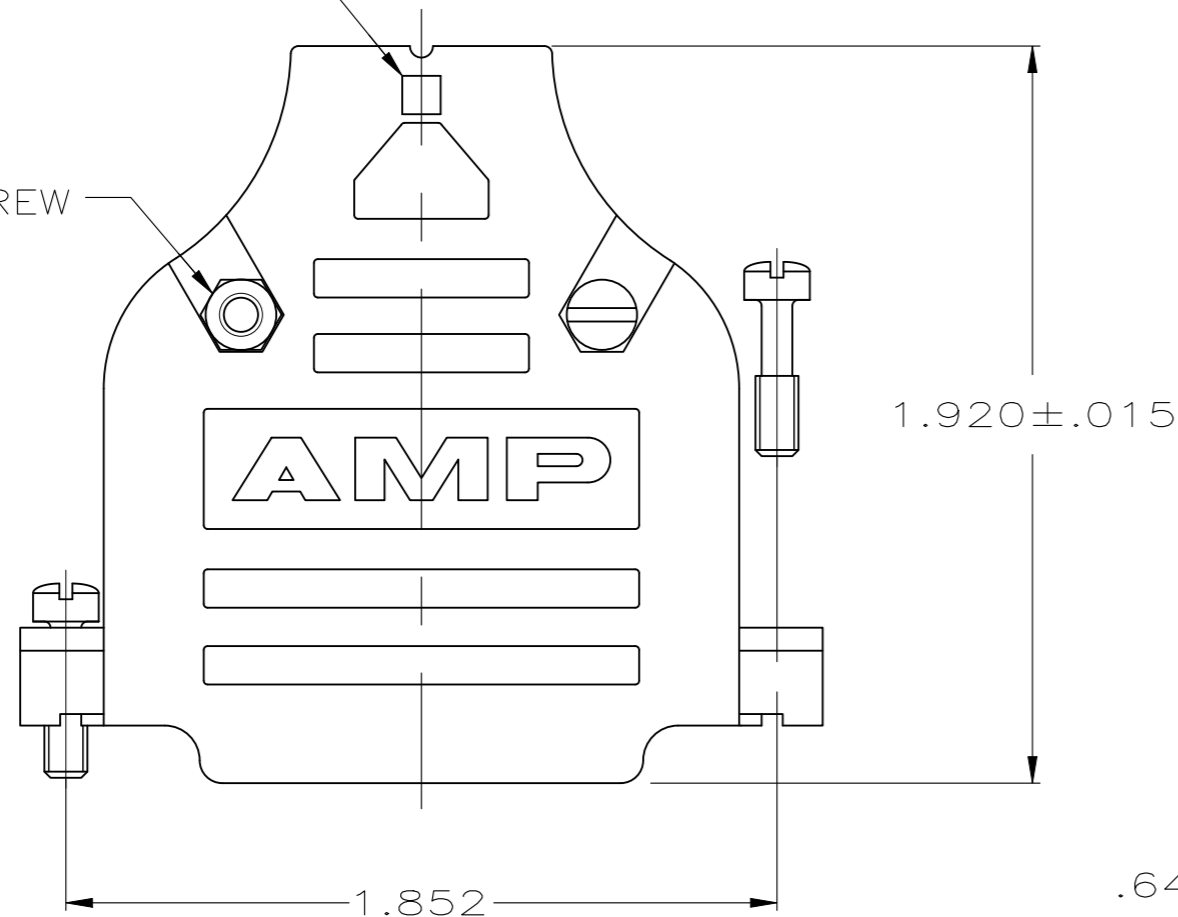


REVISIONS					
P	LTR	DESCRIPTION	DATE	DWN	APVD
A2		REVISED AS PER ECR-25-235176	09SEP2025	PK	SKN



SIZE IDENT LETTER
LOCATED INSIDE CABLE CLAMP
SEE TABLE

#4-40 FILH STEEL SCREW
& HEX NUT
2 EA REQD



.680 ± .015

CABLE CLAMP
MATERIAL: THERMOPLASTIC
FINISH: BRIGHT NICKEL OVER
BRIGHT COPPER

#4-40 FILH SCREW,
STEEL
2 REQD



.640 ± .015

1. ALL PARTS PACKAGED UNASSEMBLED.
 2. THIS KIT CONSISTS OF 2 STRAIN RELIEF HALVES, 2 #4-40 SCREWS, 2 #4-40 NUTS & 2 #4-40 MOUNTING SCREWS.
- ZINC PLATED .000200-.000400 THICK, CLEAR CHROMATE COATING.

OBSOLETE	D	.280	5745833-9
	G	.350	5745833-7
	K	.430	5745833-5
OBSOLETE	M	.480	5745833-3
	P	.530	5745833-1
	SIZE IDENT LETTER	CABLE DIA	PART NO.

**COPYRIGHT 2005
TE CONNECTIVITY CORP
ALL RIGHTS RESERVED**

THIS DRAWING IS A CONTROLLED DOCUMENT.		DWN D. HENNY 8-13-05		
DIMENSIONS: INCHES		CHK C. ROHDE 8-13-05		
TOLERANCES UNLESS OTHERWISE SPECIFIED:		APVD M. WALMSLEY 8-13-05	NAME CABLE CLAMP KIT, SIZE 3, 25 POSN, 180 DEG, AMPLIMITE SERIES, PLATED PLASTIC	
		PRODUCT SPEC	SIZE A2	
MATERIAL SEE CALLOUTS		FINISH SEE CALLOUTS	APPLICATION SPEC	CAGE CODE 00779
		WEIGHT 0.000000	DRAWING NO C=5745833	RESTRICTED TO -
		CUSTOMER DRAWING	SCALE 1:1	SHEET 1 OF 1
			REV A2	