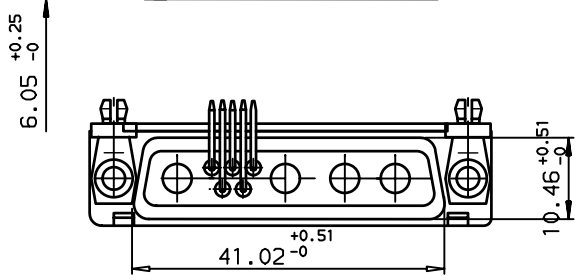
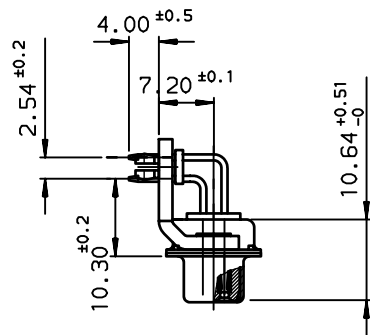
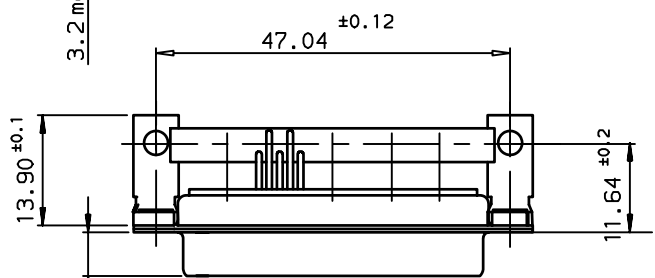
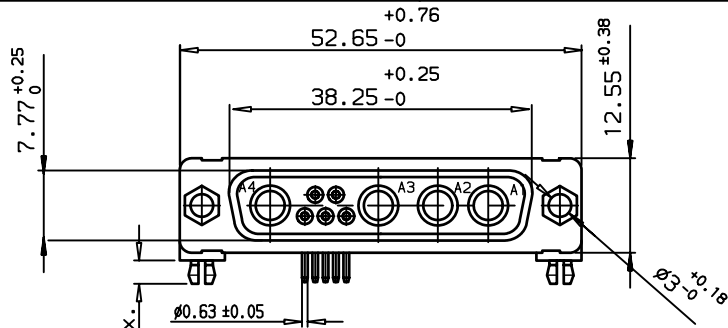
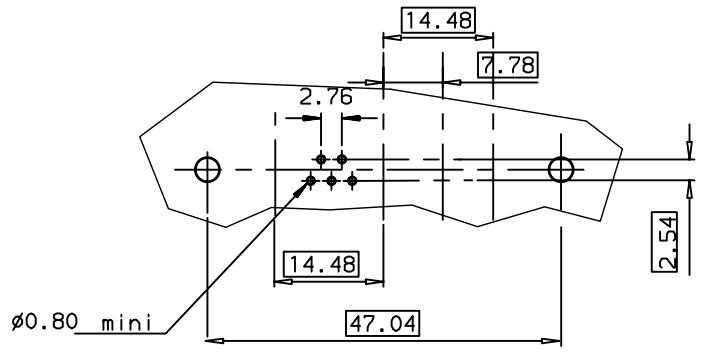


NOTE:
insulator material:thermoset



LAYOUT DIMENSIONS (after plating)
CONNECTOR SIDE VIEW



LEAD FREE PART NUMBER
DB9W4S500G00LF
PART NUMBER

GENERAL CHARACTERISTICS AND ROHS INFORMATIONS:
SEE DRAWING C01-8639-0003

European Views

www.fciconnect.com		surface ISO 1302	tolerance std ISO 406 ISO 1101	projection 	mm
TOLERANCES UNLESS OTHERWISE SPECIFIED					
ANGULAR	LINEAR	0.X	±0.1	size A3	Scale 1.5
0.XX' ±2'		0.XX	±0.1	ECN LS08-0012	
		0.XXX	±0.1	Spec ref -	
Product family		D-SUB		-	
	SOCKET CONNECTOR			dwg no	Rev.
	9W4 RIGHT ANGLE			C-8639-2356	A
catalog no	-			CUSTOMER	sheet 1 of 1

rev	ecn no	dr	date
A	LS08-0012	MPE	2008/01/16
-	-	-	-
-	-	-	-
-	-	-	-
-	-	-	-
-	-	-	-

Copyright FCJ.