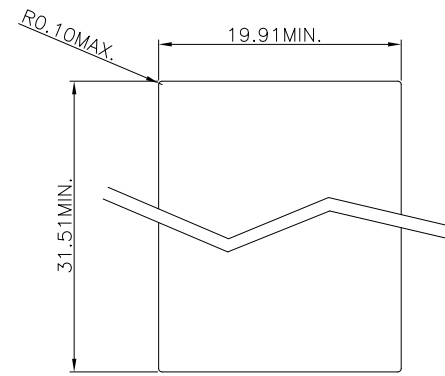
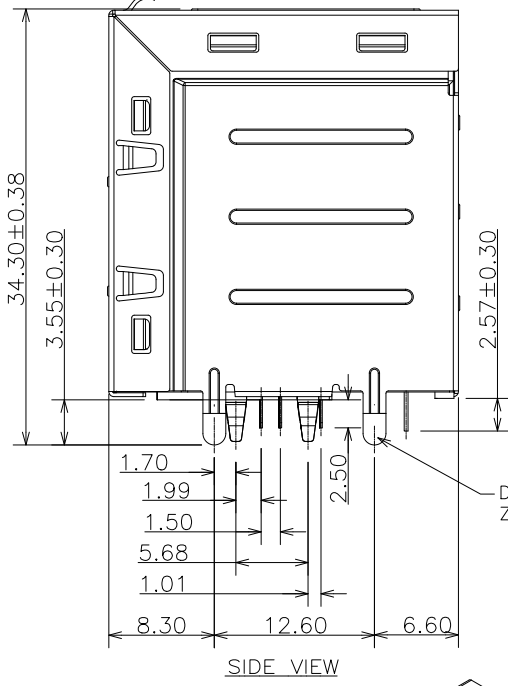
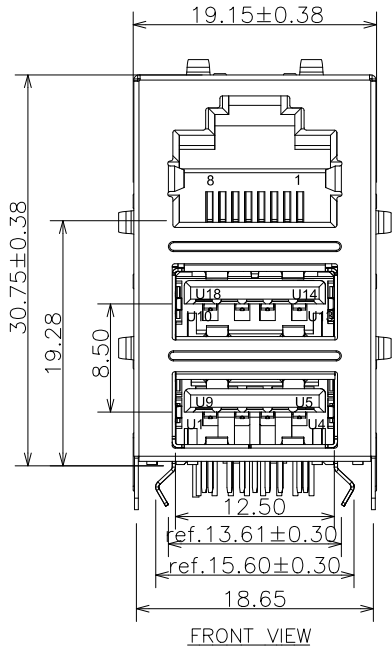


REVISIONS			
REV	DESCRIPTION, ECN, EAR NO.	DATE	APP'D
B	PROPOSAL	OCT 30/19	L.CHAN
C	UPDATE USB PIN Nr.	MAR 22/26	G.B



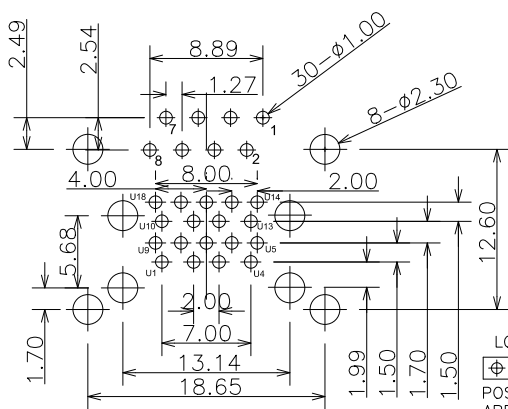
RECOMMENDED PANEL CUTOUT

MATERIALS:
 RJ:
 HOUSING & COVER: ENGINEERING THERMOPLASTIC
 FLAMMABILITY RATING UL 94V-0, COLOUR: BLACK
 CONTACTS: PHOSPHOR BRONZE
 PLATING: SELECTIVE GOLD PLATING ON MATING SURFACES
 SEE AMPHENOL PART NUMBER FOR DETAIL.
 50 μ" [1.27 MICRONS]
 MIN. NICKEL UNDERPLATE
 100 μ" TIN PLATING ON CONTACT TAILS.
 SHIELD: STAINLESS STEEL, WITH TIN-DIP ON SOLDER TABS.

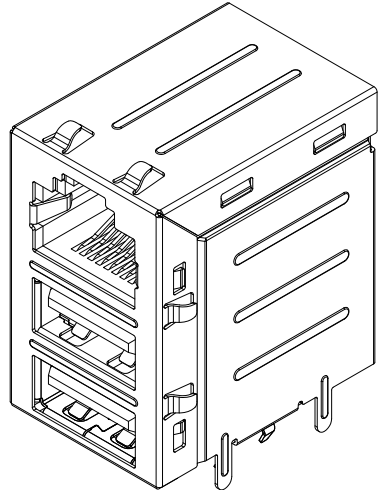
USB:
 HOUSING: ENGINEERING THERMOPLASTIC
 FLAMMABILITY RATING UL 94V-0,
 COLOUR: BLUE
 CONTACTS: PHOSPHOR BRONZE
 PLATING: SELECTIVE GOLD FLASH ON MATING SURFACES
 50 μ" [1.27 MICRONS]
 MIN. NICKEL UNDERPLATE
 100μ" TIN PLATING ON CONTACT TAILS
 SHIELD: STAINLESS STEEL WITH NICKEL.

AMPHENOL PART NUMBER: RJE36-188-3X05

GOLD PLATING
 0 = GOLD FLASH
 1 = 6 μ INCH
 2 = 15 μ INCH
 3 = 30 μ INCH
 4 = 50 μ INCH



RECOMMENDED P.C.B. LAYOUT
 (COMPONENT SIDE OF BOARD)
 TOLERANCE: ±0.05



UNLESS SPECIFIED OTHERWISE		DRAWN	DATE
PRIMARY UNITS	MILLIMETER	HANSON.C	SEP 03/18
SECONDARY		CHECKED	AMY.Z
REFERENCE IN PARENTHESES		M.E. APP'D	SEP 03/18
GENERAL TOLERANCES		Q.A. APP'D	
1 DECIMAL PLACE	±0.30	DWG APPR.	L.CHAN
2 DECIMAL PLACES	±0.25	ENG. REL. NO.	SEP 03/18
3 DECIMAL PLACES	±0.20	REF.	
ANGULAR DEGREES	±1.0°	THIRD ANGLE PROJECTION	

Amphenol Canada Corp. Commercial Products	
TITLE RJ45 OVER TWO USB 3.0 COMBO, DIP TYPE WITH TABS, WITHOUT LEDS-RoHS COMPLIANT	
DWG. NO. P-RJE36-188-3X05	REV C
CODE ID NO. 03554	DWG SIZE: C SCALE: N/A SHEET 1 OF 1