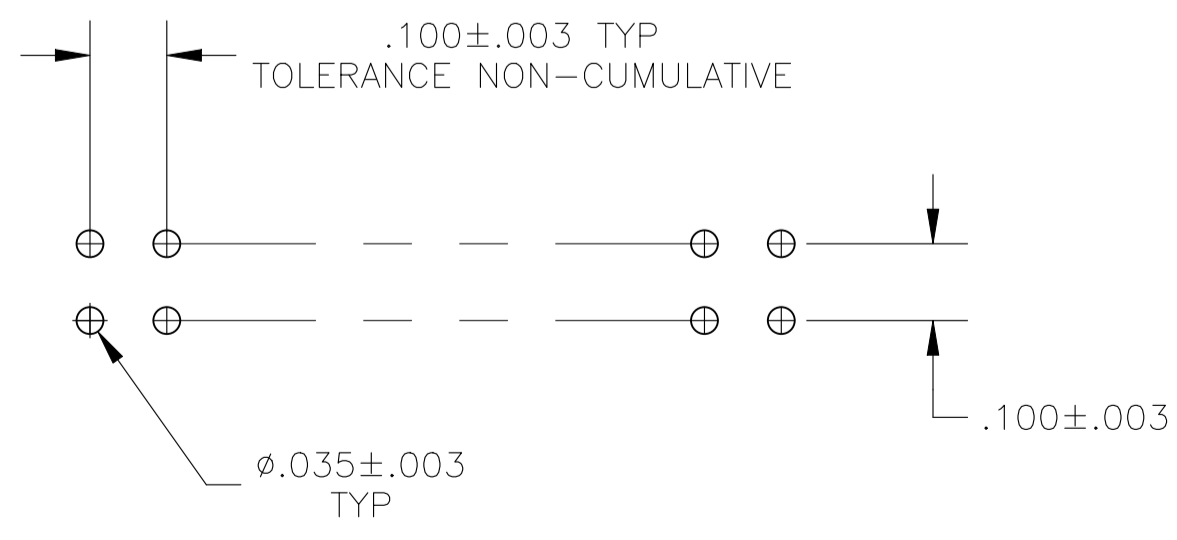
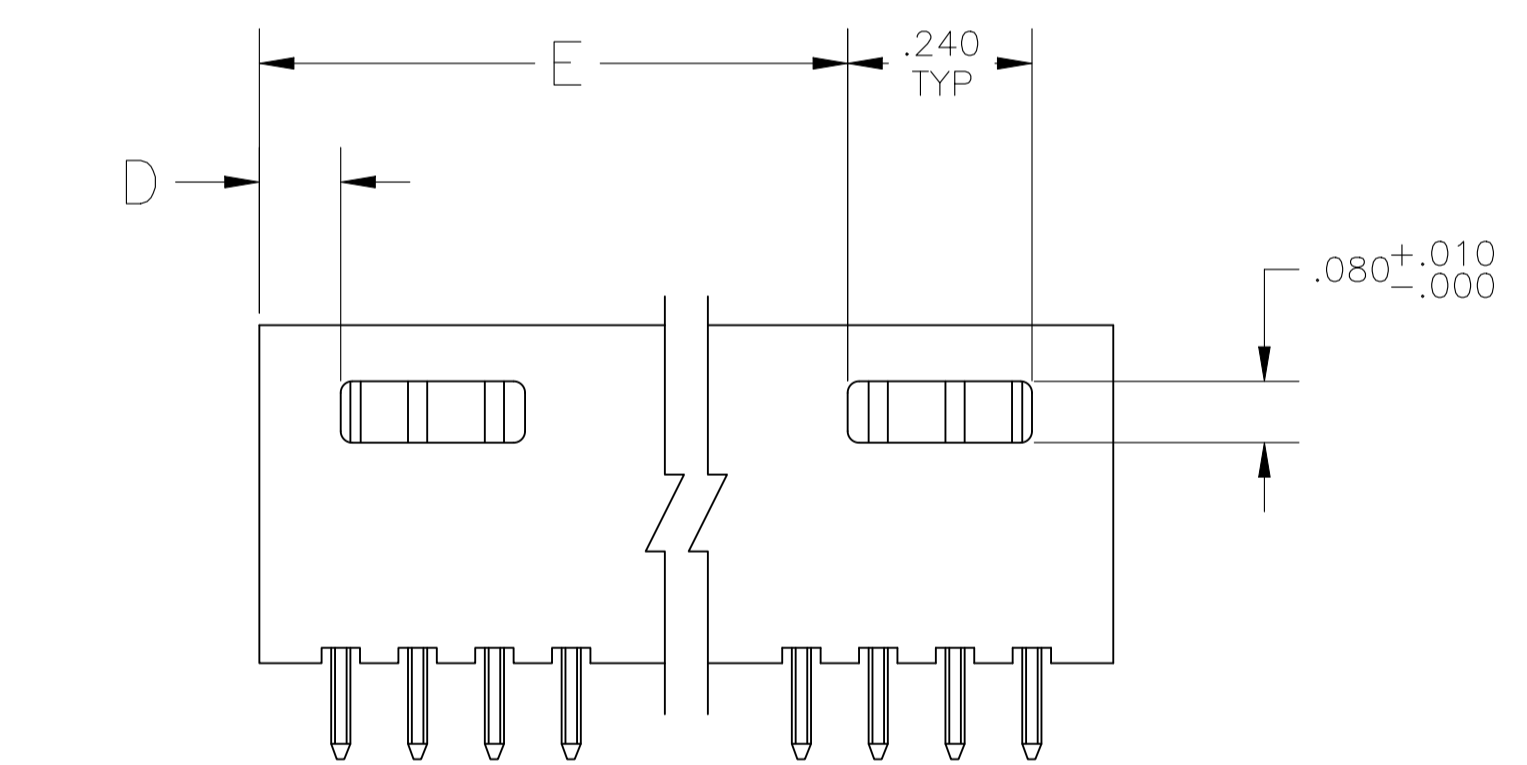
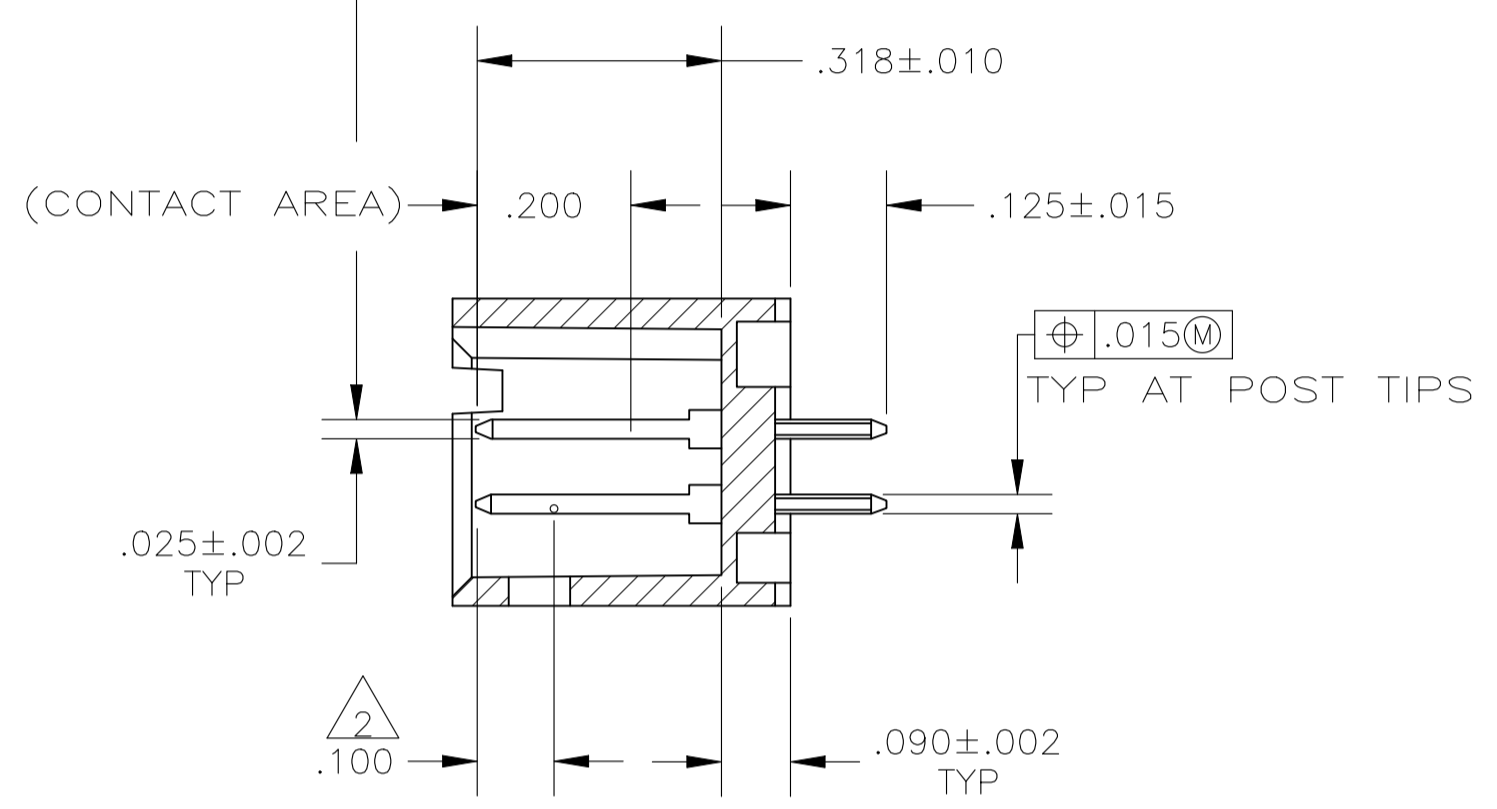
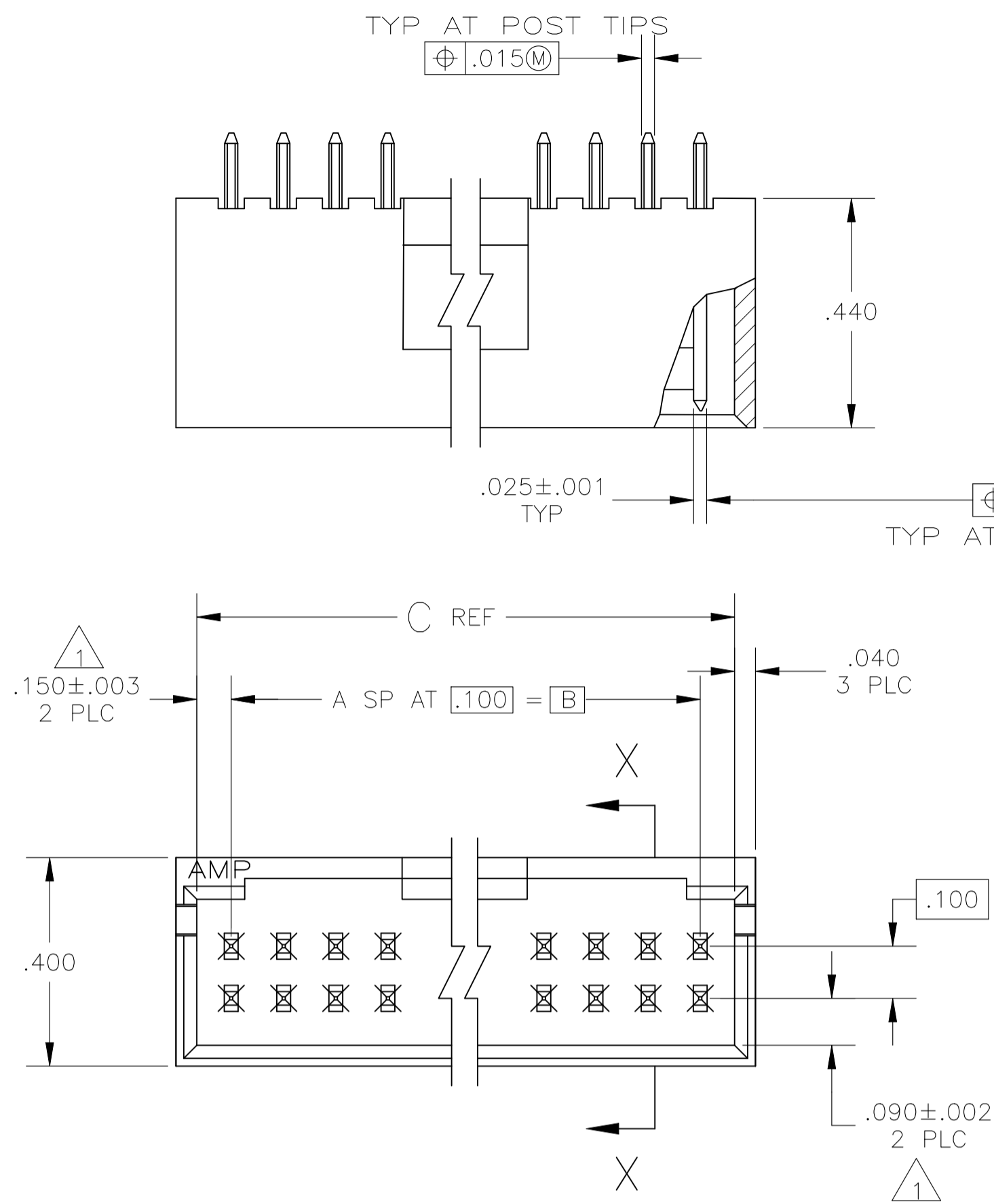


REVISIONS					
P	LTR	DESCRIPTION	DATE	DWN	APVD
L3	ECR-25-238910		04APR2025	ABS	PS



- 1 THE NOTED DIMENSIONS APPLY AT THE INTERSECTION OF THE POST AND HOUSING
- 2 POINT OF MEASUREMENT FOR PLATING THICKNESS
- 3 INDICATED PARTS ARE PACKED IN "GANG-OF -TUBES"
- 4 POSTS: .000030 GOLD IN CONTACT AREA, .000100-.000200 MATTE TIN-LEAD ON SOLDER TAIL, ALL OVER .000050 NICKEL.
- 5 POSTS: .000030 GOLD IN CONTACT AREA, .000100-.000200 MATTE TIN ON SOLDER TAIL, ALL OVER .000050 NICKEL.
- 6 OBSOLETE PARTS: OBSOLETE CIS STREAMLINING PER D.RENAUD/D.SINISI
- 7 OBSOLETE
- 8 SUPERSEDED BY 5-103169-7

PLATING	E	D	C	B	A	NO OF POSN	ASSEMBLY PART NUMBER	PLATING	E	D	C	B	A	NO OF POSN	ASSEMBLY PART NUMBER
								3	OBSOLETE						
								4							
								5							
								6							
								7							
								8							
								9							
								10							
								11							
								12							
								13							
								14							
								15							
								16							
								17							
								18							
								19							
								20							
								21							
								22							
								23							
								24							
								25							
								26							
								27							
								28							
								29							
								30							
								31							
								32							
								33							
								34							
								35							
								36							
								37							
								38							
								39							
								40							
								41							
								42							
								43							
								44							
								45							
								46							
								47							
								48							
								49							
								50							
								51							
								52							
								53							
								54							
								55							
								56							
								57							
								58							
								59							
								60							
								61							
								62							
								63							
								64							
								65							
								66							
								67							
								68							
								69							
								70							
								71							
								72							
								73							
								74							
								75							
								76							
								77							
								78							
								79							
								80							
								81							
								82							
								83							
								84							
								85							
								86							
								87							
								88							
								89							
								90							
								91							
								92							
								93							
								94							
								95							
								96							
								97							
								98							
								99							
								100							

RECOMMENDED HOLE LAYOUT

THIS DRAWING IS A CONTROLLED DOCUMENT.

DIN H. MOLL 04 SEP 87
 CHK MAYER 04 SEP 87
 APVD R. FEJDT 09 SEP 87

TE Connectivity

HDR ASSY, MOD II, SHROUDED,
 4 SIDES, DBL ROW, VERTICAL, .100X.100 C/L, WITH .025 SQ POSTS

SIZE: A1 CAGE CODE: 00779 DRAWING NO: 103169
 WEIGHT: --

CUSTOMER DRAWING SCALE: 4:1 SHEET: 1 of 1 REV: L3