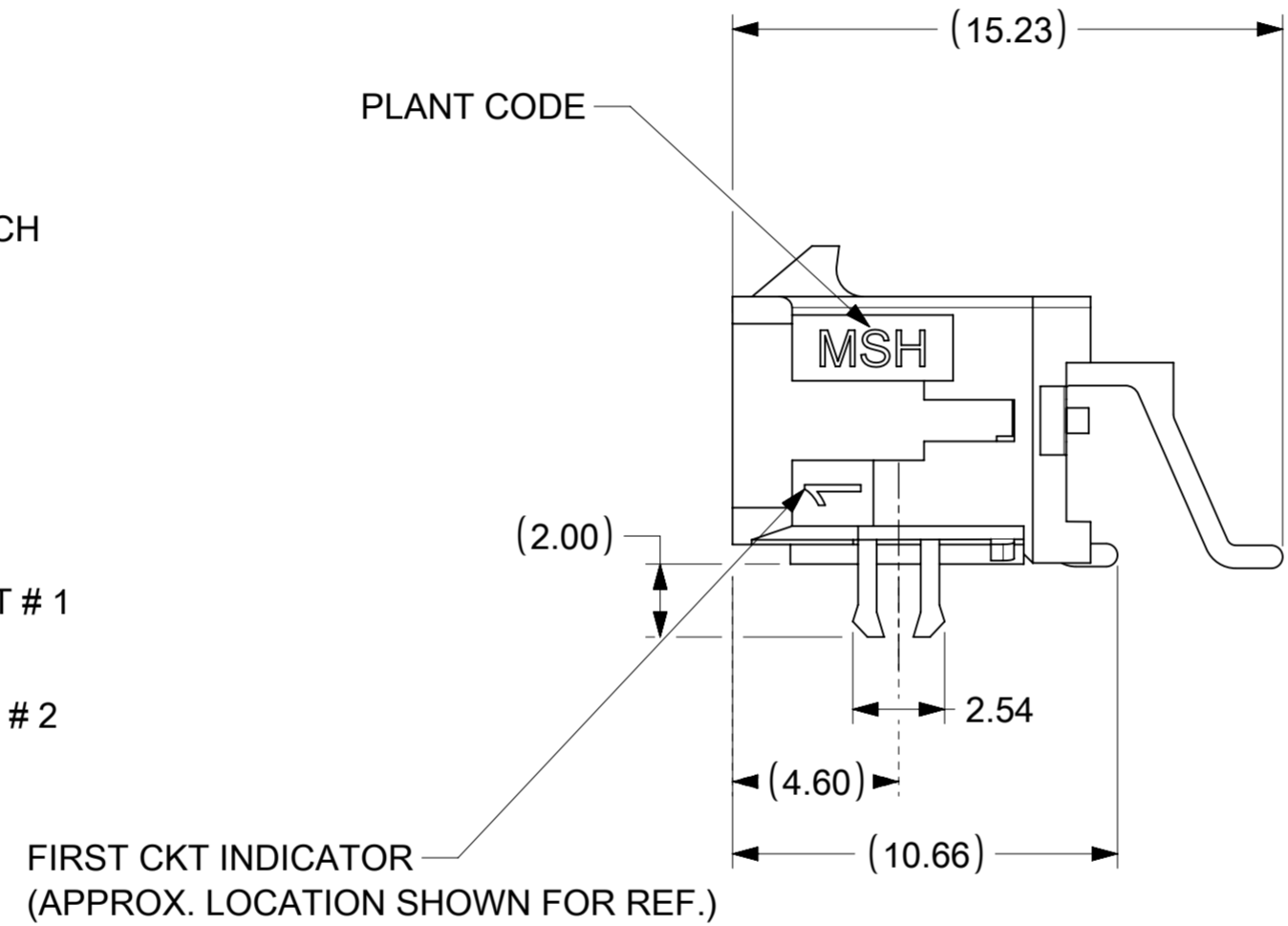
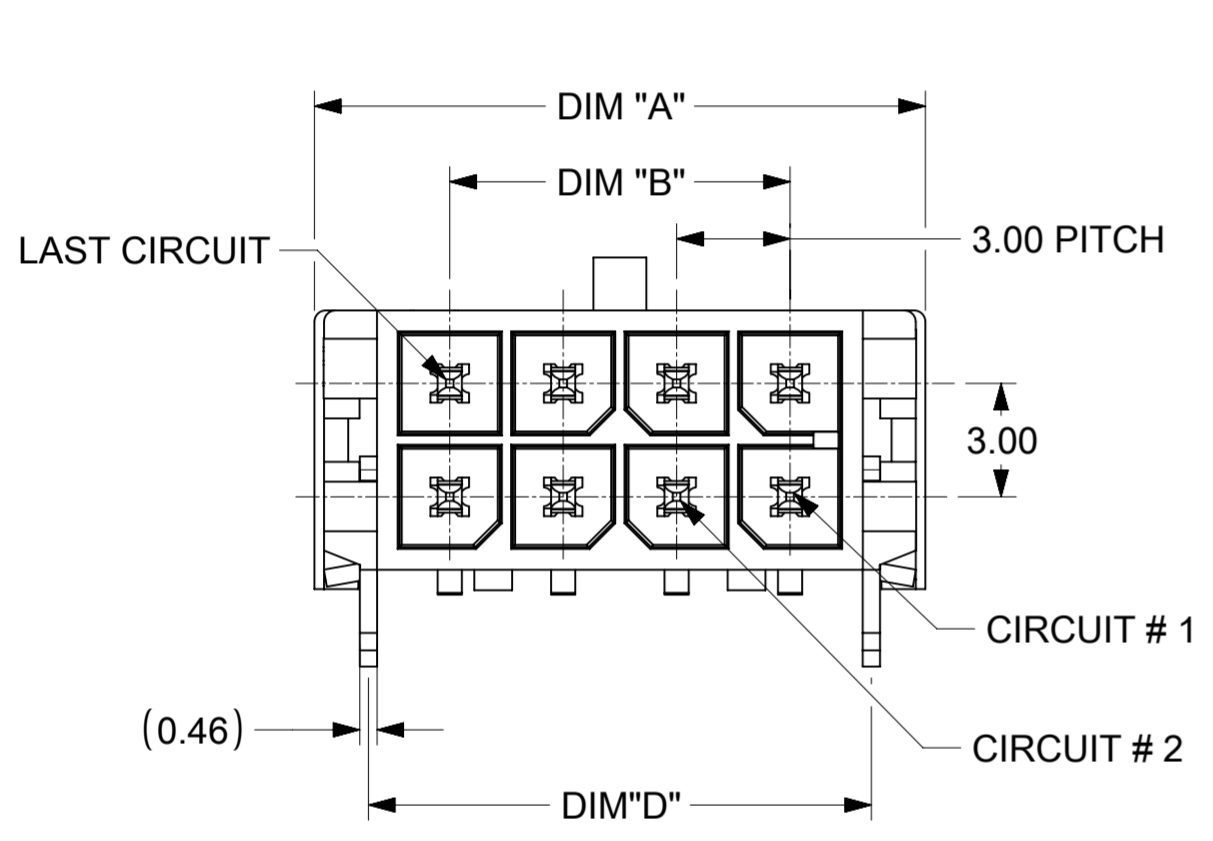
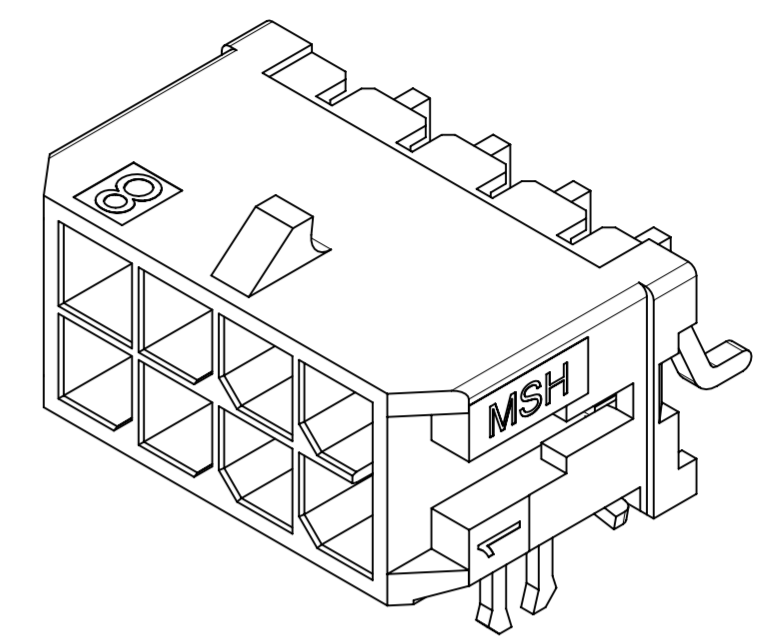
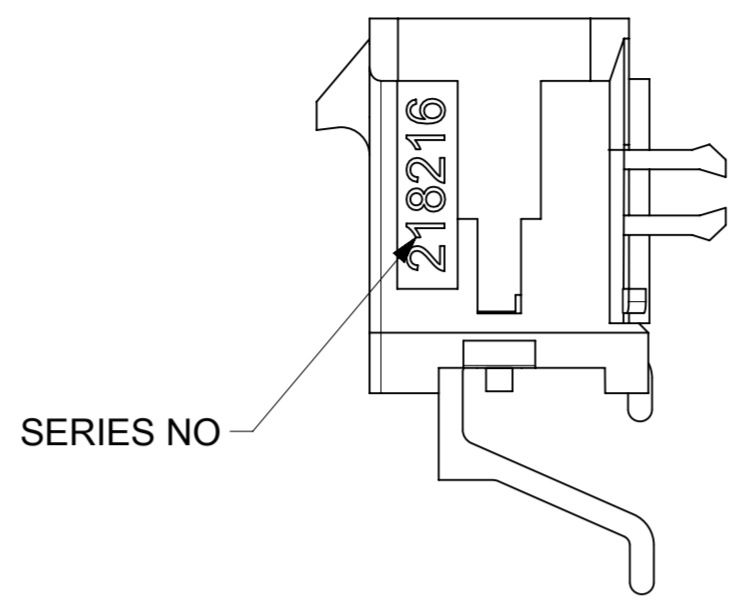
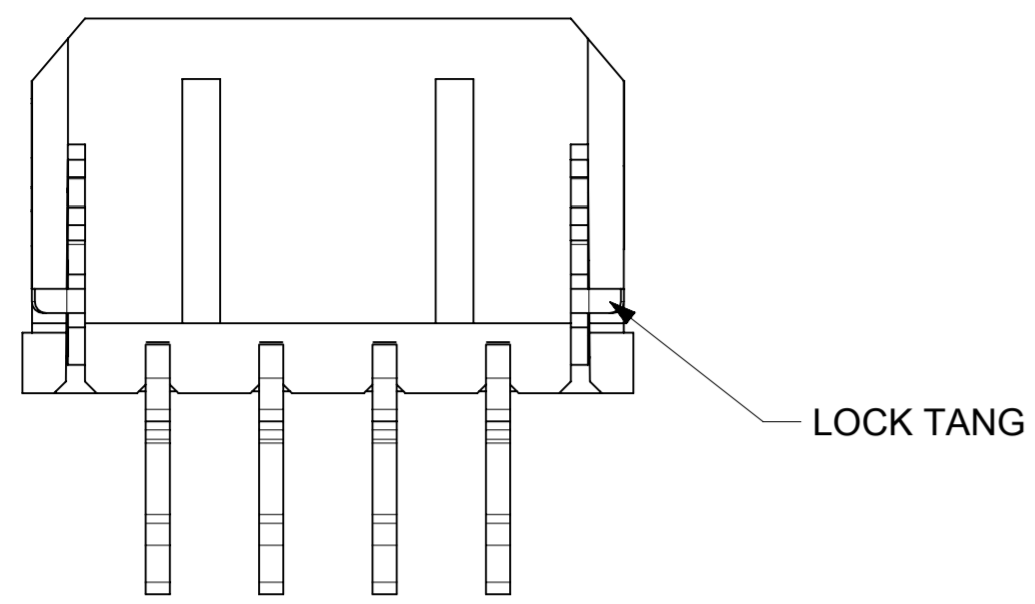
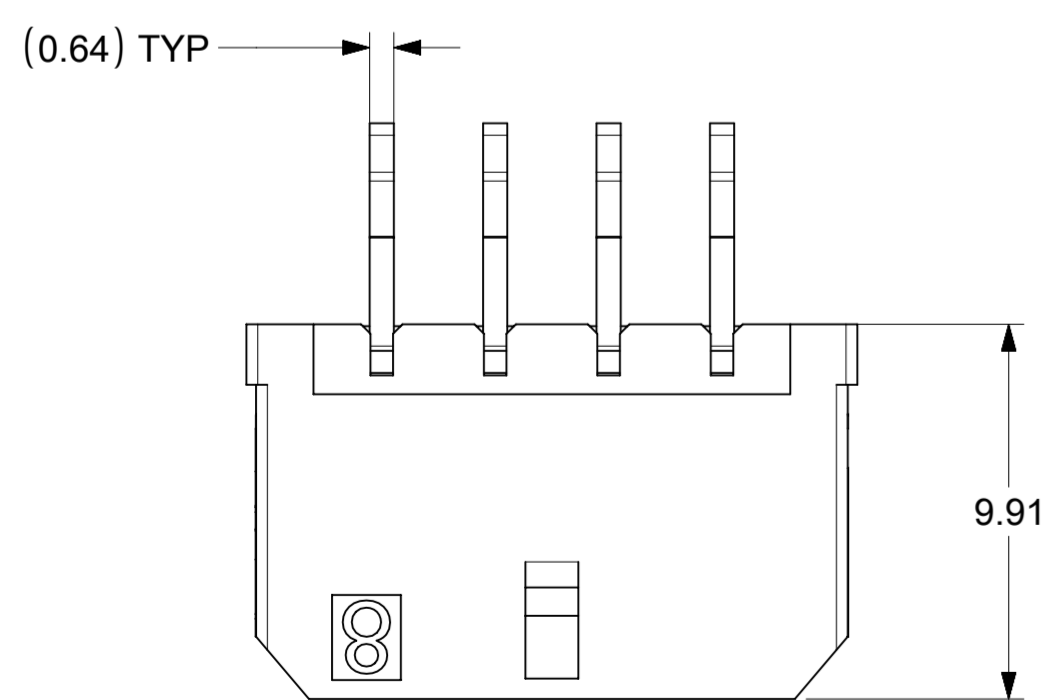


FINISH TYPE	TIN			15MICROINCH GOLD		30MICROINCH GOLD	
	CKT	HDR ASSY PN	HDR ASSY PN	HDR ASSY PN	A	B	C
2	2182160210	2182160211	2182160212	7.16	NA	2.95	4.30
4	2182160410	2182160411	2182160412	10.16	3.00	2.95	7.30
6	2182160610	2182160611	2182160612	13.16	6.00	2.95	10.30
8	2182160810	2182160811	2182160812	16.16	9.00	7.70	13.30



- NOTES:
- HOSING MATERIAL: GLASS FILLED LIQUID CRYSTAL POLYMER, UL 94V-0, COLOR: BLACK
TERMINAL MATERIAL: HIGH COPPER ALLOY
 - FINISH:
OPTION 1: REFLOW MATTE TIN OVER NICKEL
OPTION 2: SELECT 15MICROINCH GOLD AND SELECT MATTE TIN OVER NICKEL.
OPTION 3: SELECT 30MICROINCH GOLD AND SELECT MATTE TIN OVER NICKEL.
 - PRODUCT SPECIFICATION : 2064600000-PS
 - PRODUCT TEST SUMMARY: 2064600000-TS
 - T&R PACK : 2182160001-PK
 - MATE WITH RECEPTACLE 206461
 - TO AVOID INTERFERENCE BETWEEN RECEPTACLE AND PCB HEADERS MUST BE PLACED WITHIN 4.00MAX FROM THE EDGE OF PCB, AS SHOWN IN THE LOCATION DETAILS
 - METAL TAB MAY BE FLUSH WITH PCB, NO EXPOSED TRACE OR VIAS ALLOWED NEAR THESE AREAS.
 - THE COPLANARITY DIMENSION IS ESTABLISHED BY PLACING THE ASSEMBLY ON A FLAT SURFACE. THE DISTANCE FROM THAT SURFACE TO THE BOTTOM OF ANY TERMINAL OR NAIL MUST NOT EXCEED 0.15
 - THIS PART CONFORMS TO CLASS 'B' REQUIREMENTS OF COSMETIC SPECIFICATION PS-45499-002.
 - HOLES FOR CLIPS SHOULD BE PTH AND CLIPS SHOULD BE SOLDERED FOR BEST RETENTION TO PCB



LEGEND

218216 - * * * *

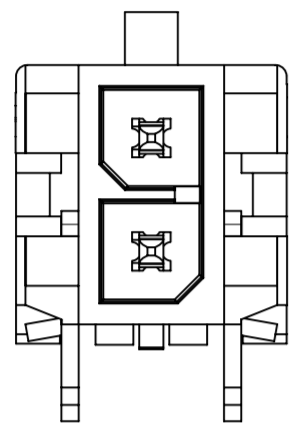
SERIES NO. _____

CKT NO. _____

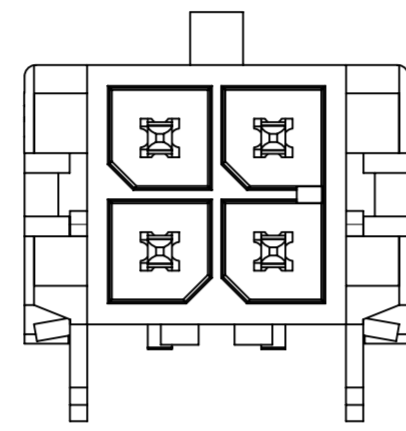
OPTION
0: RIGHT ANGLE WITH NAIL
1: RIGHT ANGLE WITH CLIP
2: VERTICAL WITH NAIL
3: VERTICAL WITH CLIP

PLATING OPTION
0: TIN
1: 15MICROINCH AU
2: 30MICROINCH AU

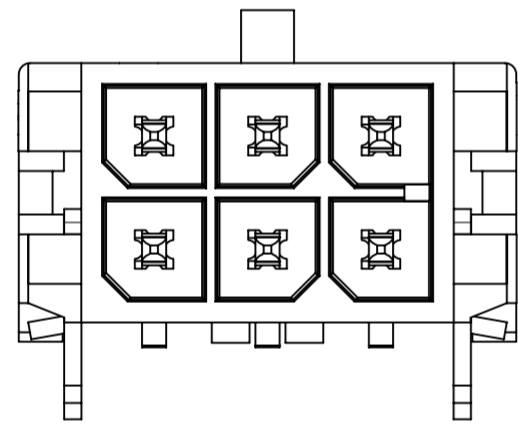
THIS DRAWING CONTAINS INFORMATION THAT IS PROPRIETARY TO MOLEX ELECTRONIC TECHNOLOGIES, LLC AND SHOULD NOT BE USED WITHOUT WRITTEN PERMISSION									
DIMENSION UNITS		SCALE		CURRENT REV DESC:					
mm		NTS		<p>EC NO: 834974</p> <p>DRWN: ZIXUAQ 2023/01/06</p> <p>CHK'D: XQZHANG 2026/01/14</p> <p>APPR: XQZHANG 2026/01/14</p> <p>INITIAL REVISION:</p> <p>DRWN: ALUO02 2021/04/21</p> <p>APPR: XQZHANG 2022/10/17</p>					
GENERAL TOLERANCES (UNLESS SPECIFIED)									
ANGULAR TOL ± 3.0°									
4 PLACES ±									
3 PLACES ±									
2 PLACES ± 0.25				<p>DOCUMENT NUMBER</p> <p>2182160010-SD</p> <p>DOC TYPE PSD</p> <p>DOC PART 000</p> <p>REVISION A1</p>					
1 PLACE ± 0.36									
0 PLACES ±									
DRAFT WHERE APPLICABLE MUST REMAIN WITHIN DIMENSIONS		THIRD ANGLE PROJECTION		DRAWING		SERIES		SHEET NUMBER	
				A2-SIZE		218216		1 OF 2	



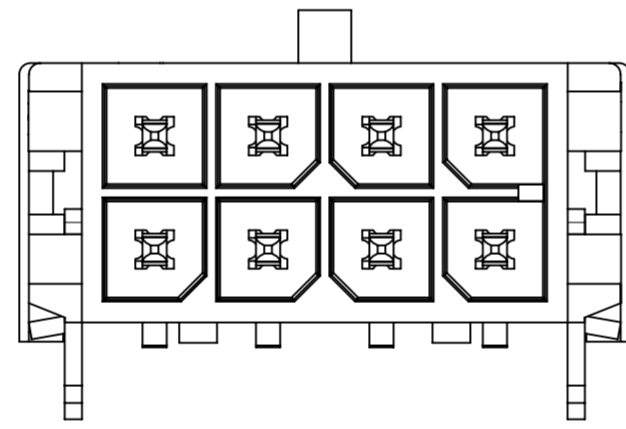
2CKT



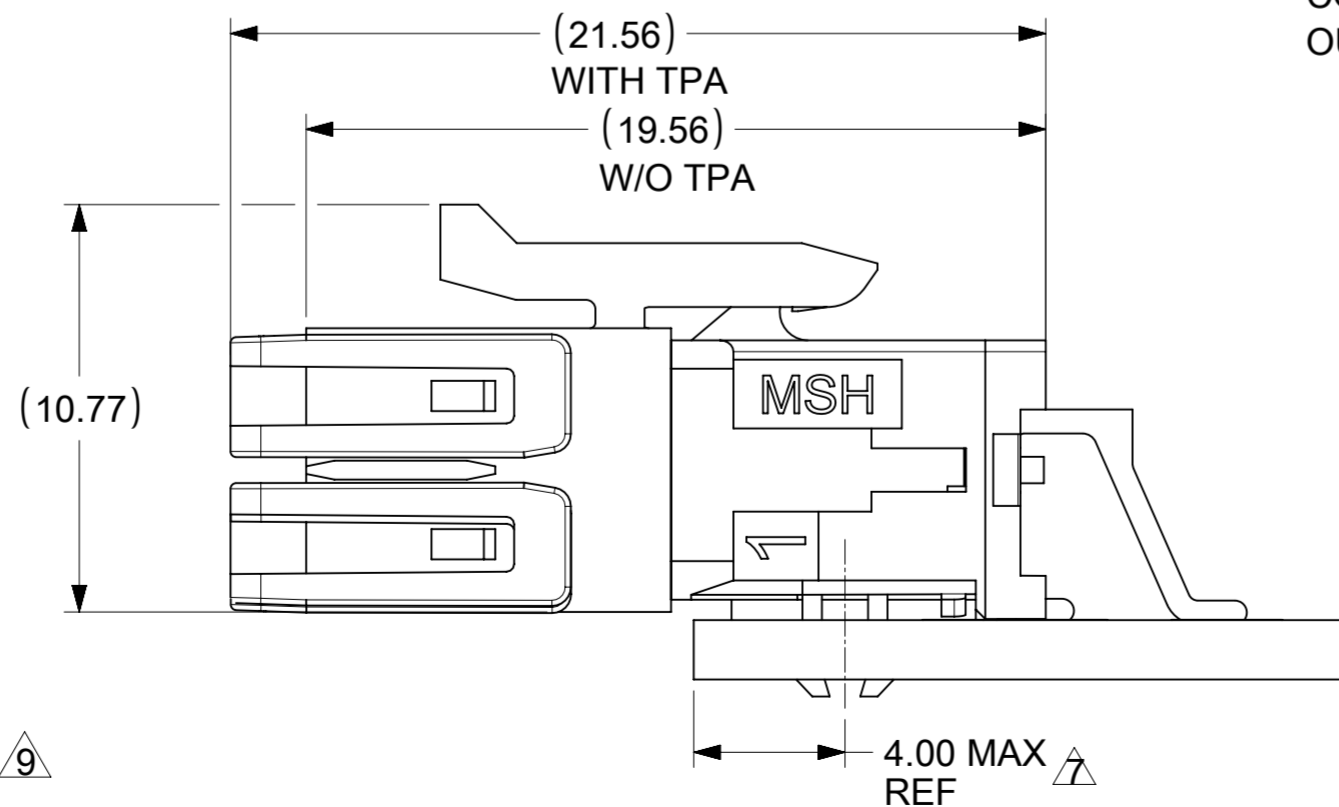
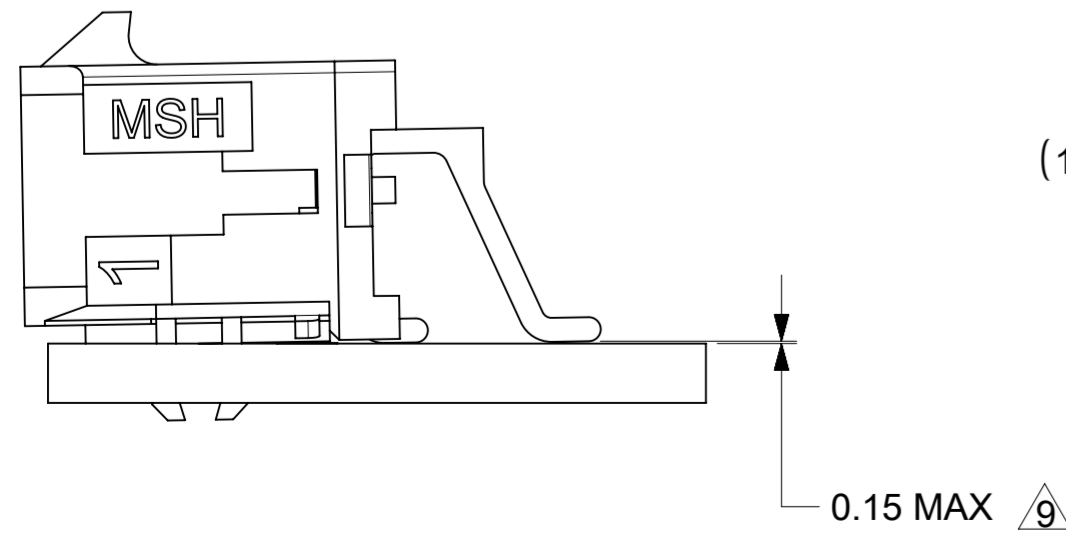
4CKT



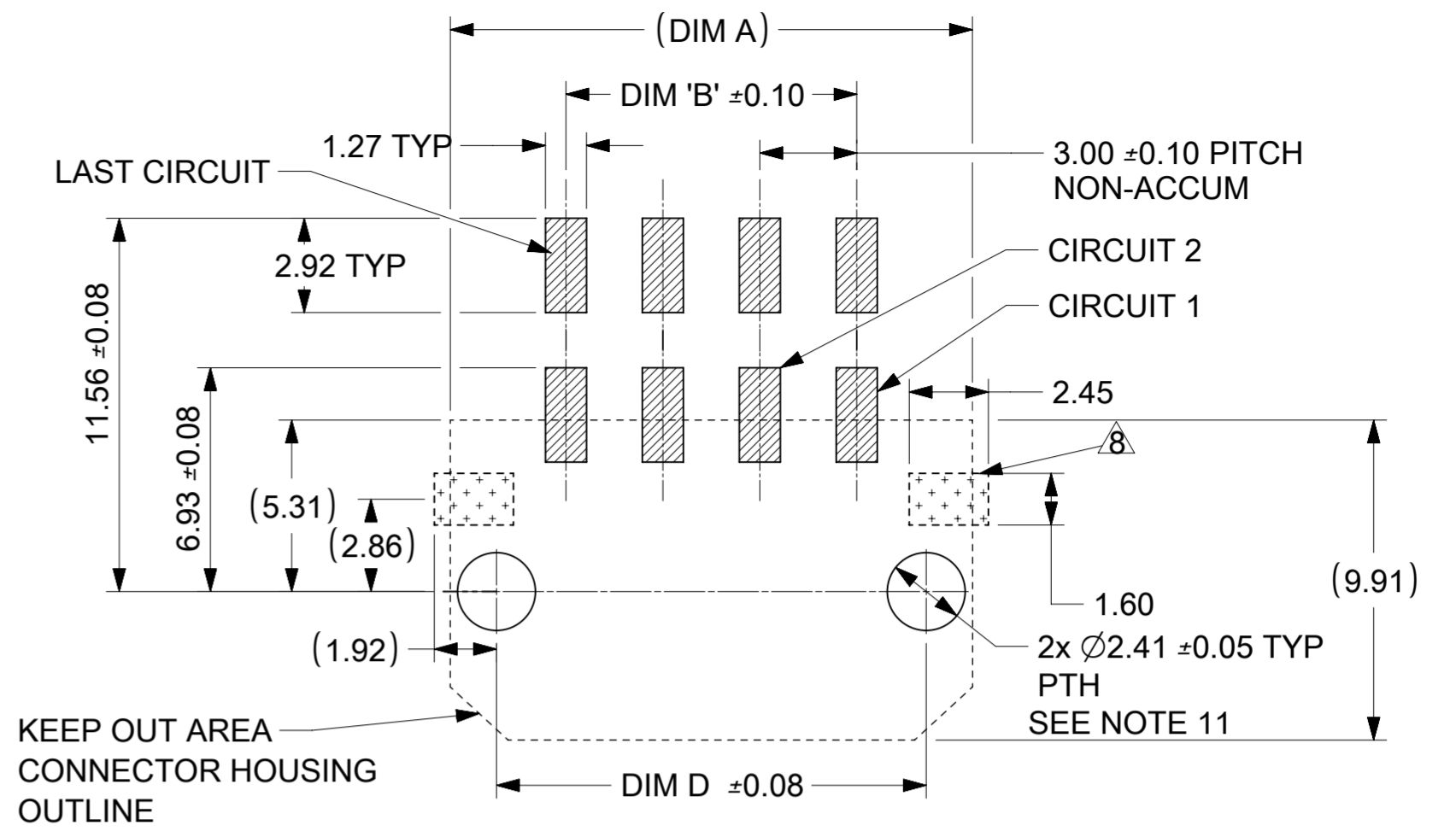
6CKT



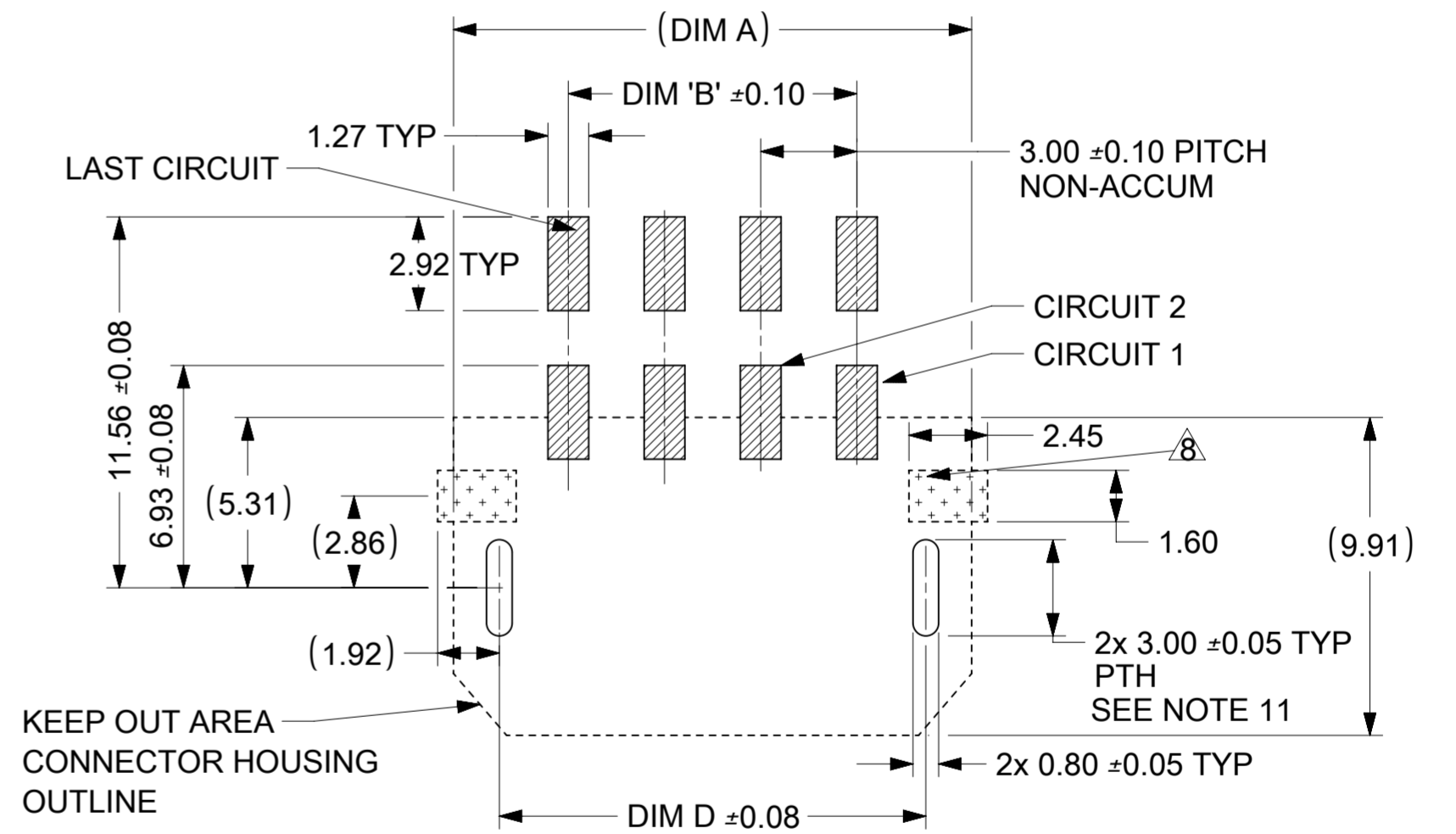
8CKT



MATE WITH 206461 SERIES



PCB LAYOUT: COMPONENT SIDE
RECOMMEND PCB THICKNESS: 1.60 ±0.05MM
NON-ZERO INSERTION FORCE



PCB LAYOUT: COMPONENT SIDE
RECOMMEND PCB THICKNESS: 1.60 ±0.05MM
ZERO INSERTION FORCE

THIS DRAWING CONTAINS INFORMATION THAT IS PROPRIETARY TO MOLEX ELECTRONIC TECHNOLOGIES, LLC AND SHOULD NOT BE USED WITHOUT WRITTEN PERMISSION

DIMENSION UNITS		SCALE		CURRENT REV DESC:			
mm		NTS					
GENERAL TOLERANCES (UNLESS SPECIFIED)							
ANGULAR TOL ± 3.0°							
4 PLACES ±		DRWN: ZIXUAQ		2023/01/06			
3 PLACES ±		CHK'D: XQZHANG		2026/01/14			
2 PLACES ± 0.25		APPR: XQZHANG		2026/01/14		PRODUCT CUSTOMER DRAWING	
1 PLACE ± 0.36		INITIAL REVISION:				DOCUMENT NUMBER	
0 PLACES ±		DRWN: ALUO02		2021/04/21		2182160010-SD	
		APPR: XQZHANG		2022/10/17		DOC TYPE DOC PART REVISION	
DRAFT WHERE APPLICABLE MUST REMAIN WITHIN DIMENSIONS		THIRD ANGLE PROJECTION		DRAWING		MATERIAL NUMBER	
				A2-SIZE		SEE TABLE	
		SERIES		218216		CUSTOMER	
				GENERAL MARKET		SHEET NUMBER	
						2 OF 2	