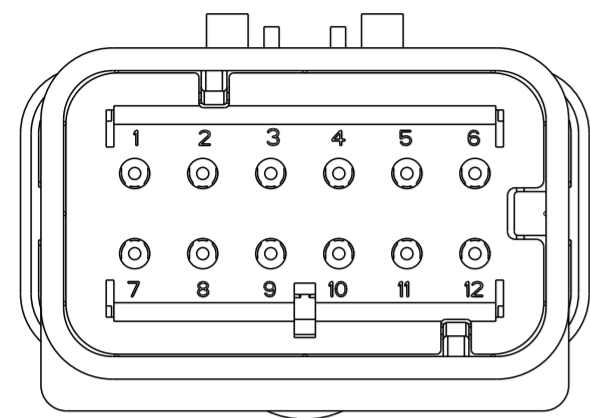
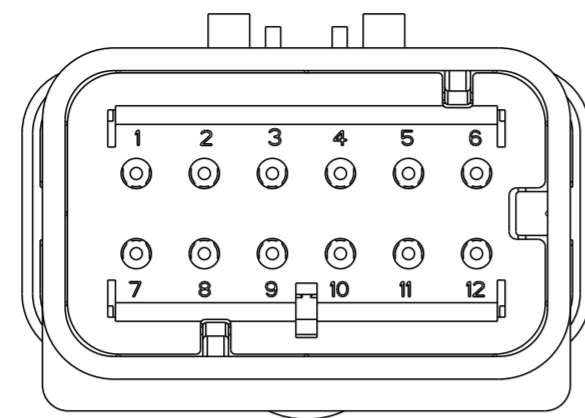


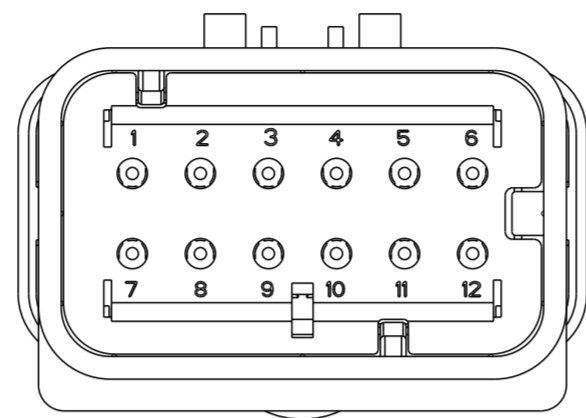
REVISIONS				
P	LTR	DESCRIPTION	DATE	APVD
D1		REVISED PER ECR-10-019377	30SEP2010	HMR T.M
E		REVISED PER ECR-14-000206	26DEC2013	DR RB
E1		REVISED PER ECR-24-201925	05MAR2024	HY TK
E2		REVISED PER ECR-24-230839	07JAN2025	HY AO



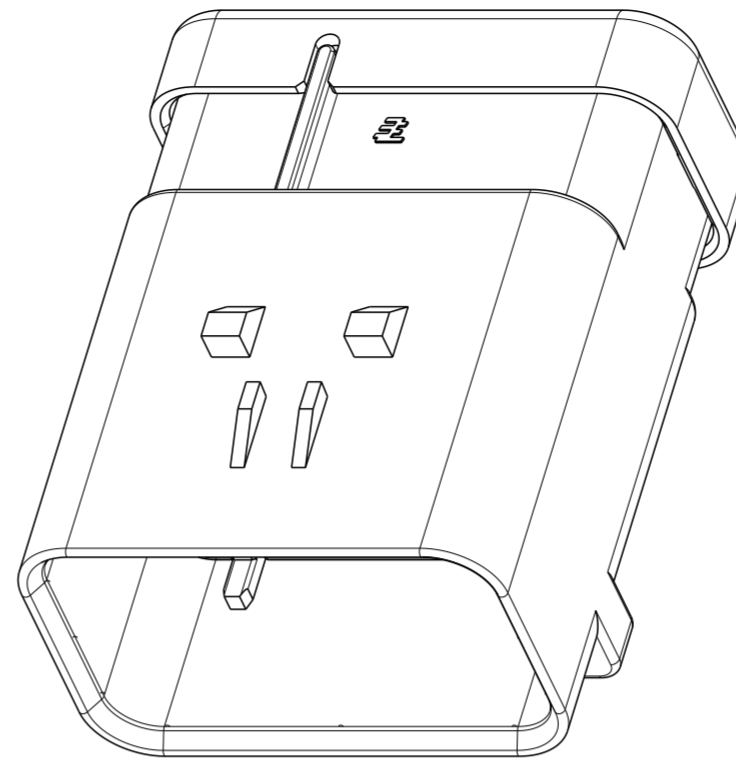
1717934-2
SCALE 2:1



1717934-3
SCALE 2:1

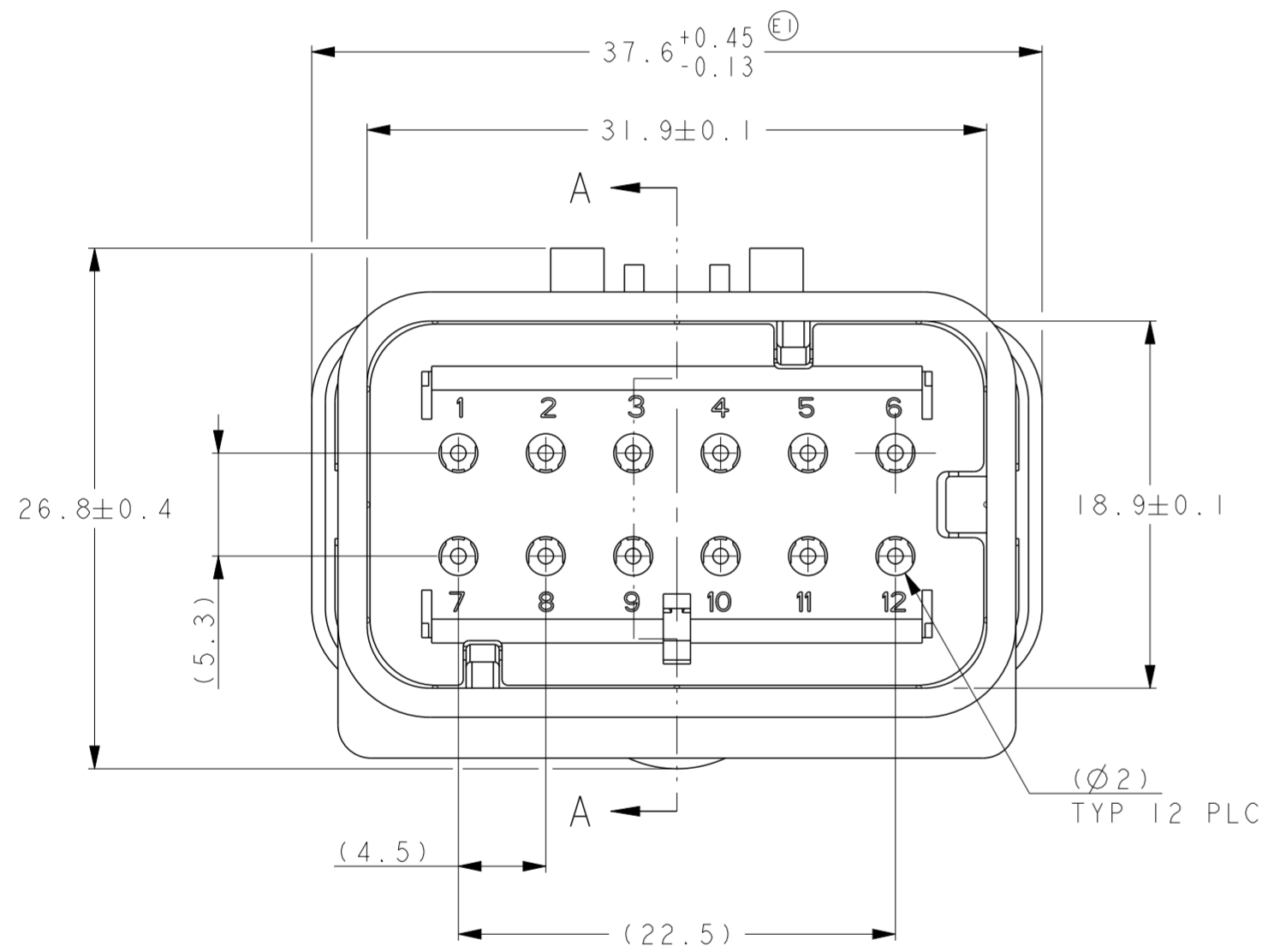


1717934-4
SCALE 2:1

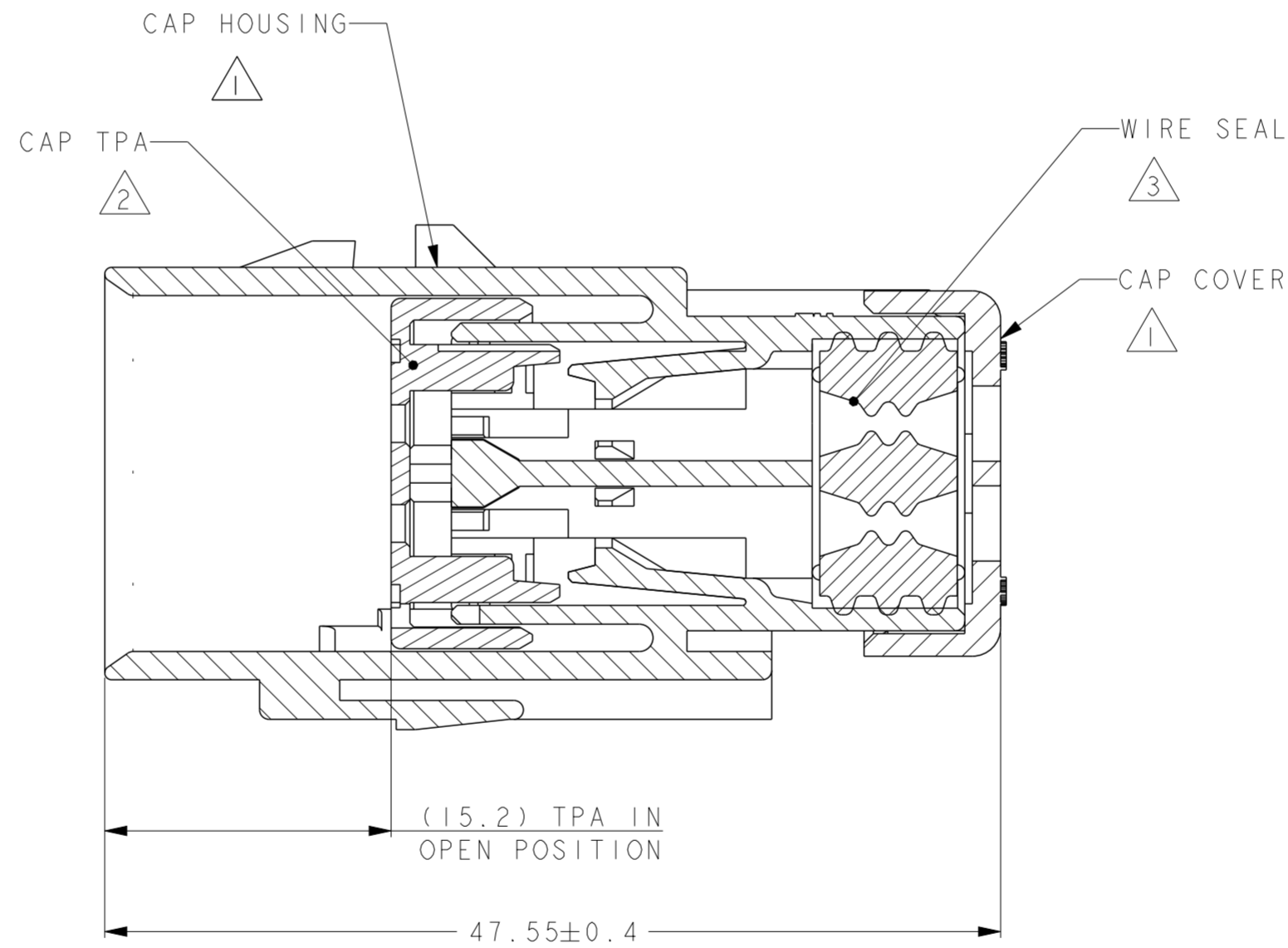


SCALE 2:1

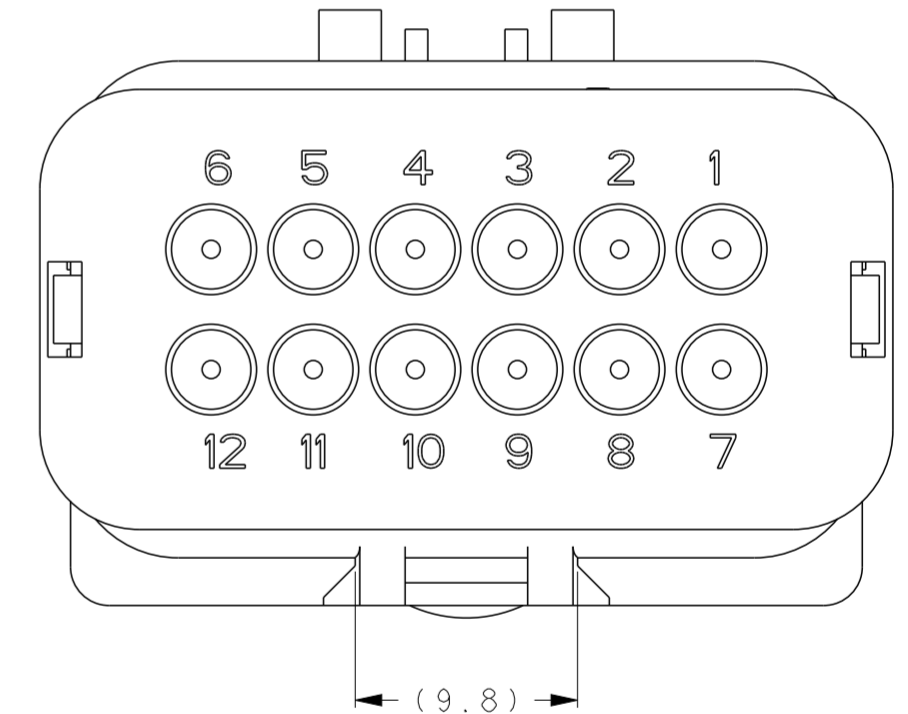
- ① MATERIAL: 15% GLASS FILLED THERMOPLASTIC
COLOR: BLACK
- ② MATERIAL: 15% GLASS FILLED THERMOPLASTIC
COLOR: (SEE TABLE)
- ③ MATERIAL: SILICONE
COLOR: RUST
- 4. WIRE INSULATION RANGE; Ø1.3-Ø2.54



1717934-1 SHOWN



A - A



GREEN	1717934-4
YELLOW	1717934-3
GRAY	1717934-2
RED	1717934-1
TPA COLOR	PART NUMBER

THIS DRAWING IS A CONTROLLED DOCUMENT.		DWN Y. KATO	15JAN2004	STE TE Connectivity													
DIMENSIONS: mm		CHK S. MANABE	15JAN2004														
TOLERANCES UNLESS OTHERWISE SPECIFIED:		APVD S. MANABE	15JAN2004														
<table border="0"> <tr><td>0 PLC</td><td>±</td></tr> <tr><td>1 PLC</td><td>±</td></tr> <tr><td>2 PLC</td><td>±</td></tr> <tr><td>3 PLC</td><td>±</td></tr> <tr><td>4 PLC</td><td>±</td></tr> <tr><td>ANGLES</td><td>±</td></tr> <tr><td>FINISH</td><td>±</td></tr> </table>		0 PLC	±		1 PLC	±	2 PLC	±	3 PLC	±	4 PLC	±	ANGLES	±	FINISH	±	PRODUCT SPEC 108-2184
0 PLC	±																
1 PLC	±																
2 PLC	±																
3 PLC	±																
4 PLC	±																
ANGLES	±																
FINISH	±																
MATERIAL	-	APPLICATION SPEC 114-13065	SIZE A20779	DRAWING NO C-1717934													
CUSTOMER DRAWING		WEIGHT	-	RESTRICTED TO													
SCALE 3:1		SHEET 1 OF 1		REV E2													