

PRODUCT NUMBER  
57102-XXX-XXXXLX

PLATING  
S = 0.38µm GOLD/GXT ON CONTACT AREA  
2µm MIN MATTE TIN ON TAIL  
G = 0.76µm GOLD/GXT ON CONTACT AREA  
2µm MIN MATTE TIN ON TAIL  
F = GOLD FLASH ON CONTACT AREA  
2µm MIN MATTE TIN ON TAIL

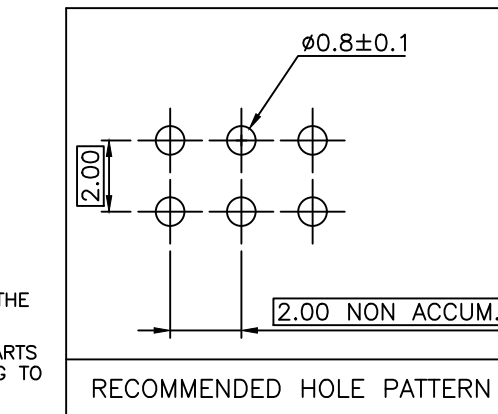
1.27µm MIN NICKEL UNDERPLATING

NOTES:

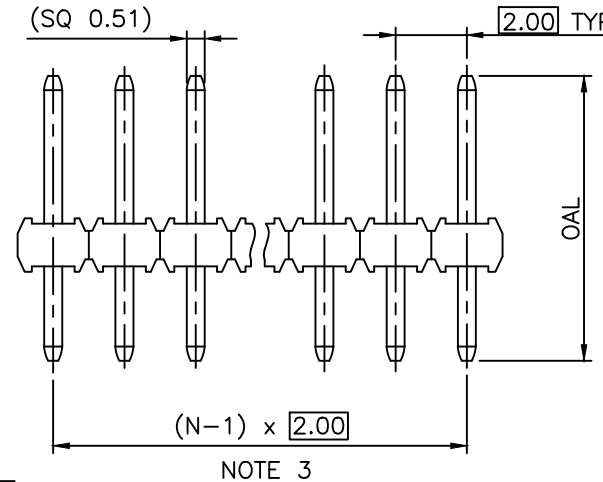
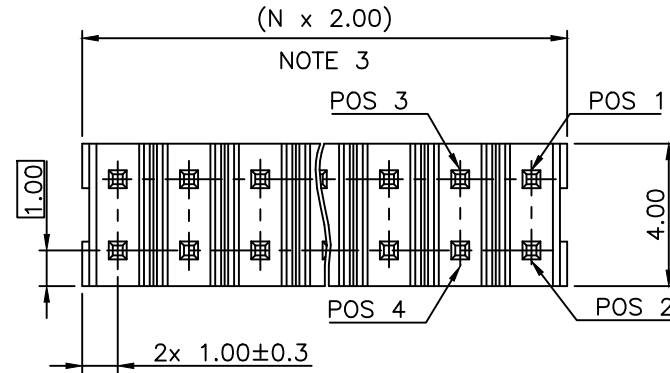
- MATERIAL HOUSING: HIGH TEMP. THERMOPLASTIC UL 94V-0, COLOR BLACK
- MATERIAL TERMINAL: COPPER ALLOY
- TO DETERMINE DIMENSIONS:  
N = NUMBER OF POSITIONS PER ROW
- 7N MIN. PIN RETENTION IN EITHER DIRECTION
- PACKAGING:  
= STANDARD PACKAGING IN POLYBAGS  
- = PACKAGING POLYBAGS WHEN POLARIZATION FEATURE APPLICABLE  
U = TUBE AVAILABLE FROM 03 TO 25 POS PER ROW
- FOR POLARIZATION, SPECIFIED PIN  
EXAMPLE : 03 = OMIT PIN POSITION 3, SEE TOP VIEW  
OMIT FROM PRODUCT NUMBER IF THIS FEATURE IS NOT APPLICABLE
- RoHS COMPATIBLE PRODUCT SPECIFICATIONS
  - PLATING:  
- "LF" MEANS THE PRODUCT IS LEAD-FREE,  
2µm MINIMUM MATTE TIN OVER 1.27µm  
MINIMUM NICKEL UNDERPLATE.
  - MANUFACTURING PROCESS COMPATIBILITY  
- THE HOUSING WILL WITHSTAND EXPOSURE TO  
260°C ±5°C SOLDER BATH TEMPERATURE FOR  
5 SECONDS IN A WAVE SOLDER APPLICATION  
WITH A 1.6mm MIN THICK CIRCUIT BOARD.  
- COMPATIBLE TO REFLOW PROCESS 260°C MAX  
FOR 30 SECONDES
  - LABELLING:  
- MEETS PACKAGING SPECS AS PER GS-14-920
  - LEGAL STATEMENT: SEE GS-47-0004
- THIS PART SERIES IS NOT INITIALLY INTENDED FOR  
AUTOMOTIVE APPLICATIONS. ADDITIONAL FEES ARE  
CHARGEABLE FOR ANY ADDITIONAL QUALIFICATION AND  
TEST REPORTS PERFORMED OUTSIDE THE SCOPE OF THE  
STANDARD PRODUCT SPECIFICATIONS.
- UNLESS OTHERWISE APPROVED BY AMPHENOL, ALL PARTS  
AND COMPONENTS ARE DESIGNED & BUILT ACCORDING TO  
AMPHENOL'S SPECIFICATIONS WHICH ARE SUBJECT TO  
CHANGE WITHOUT NOTICE.

PIN STYLE	POST LENGTH	TAIL LENGTH	OAL
02	2.00	2.50	6.00
04	2.00	3.00	6.50
06	4.00	2.50	8.00
08	4.00	3.00	8.50
09	4.80	2.50	8.80
10	6.00	3.00	10.50
12	5.71	4.37	11.58
13	8.00	2.08	11.58
14	8.07	2.52	12.09
15	6.75	1.80	10.05
16	4.50	2.50	8.50

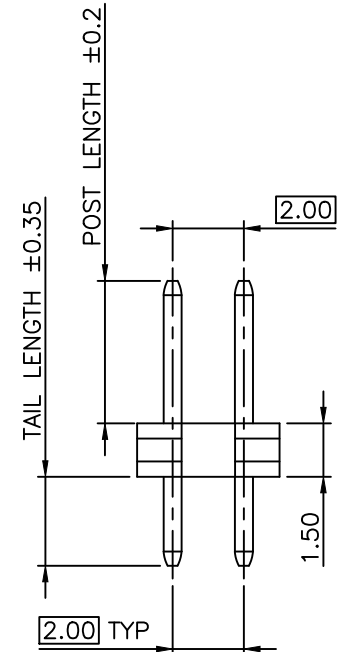
NB OF POSITIONS PER ROW: 02 TO 25 POS



TOP VIEW



EXTENDED RANGE  
- TOOLING FEASIBILITY CONFIRMED  
- SAMPLES ON DEMAND  
- AVAILABILITY ON DEMAND



mat'l. code		surface		tolerance		projection		product family	
SEE NOTES		ISO 1302		ISO 406 ISO 1101		mm		MINITEK	
ltr	ecn no	dr	date	tolerances unless otherwise specified		mm		title	
L	F12-0062	LMU	12.05.25	angles	linear	.x ±0.3 .xx ±0.13 .xxx ±0.05		UNSHR HEADER 2.00mm VERTICAL TMT	
M	B-19190	LMU	14.10.24			scale 5:1		dwg no	
N	B-19797	AMA	14.12.16					sheet 1 of 1	
P	B-19988	LMU	15.01.13	dr	L.MULIN	04.05.06		size	
R	F-46840	DDE	22.12.21	engr	J.COMPAGNON	04.11.25		A3	
S	F-58623	DDE	25.12.15	chr	J.COMPAGNON	04.11.25		type	
sheet index		revision sheet						Drawing	