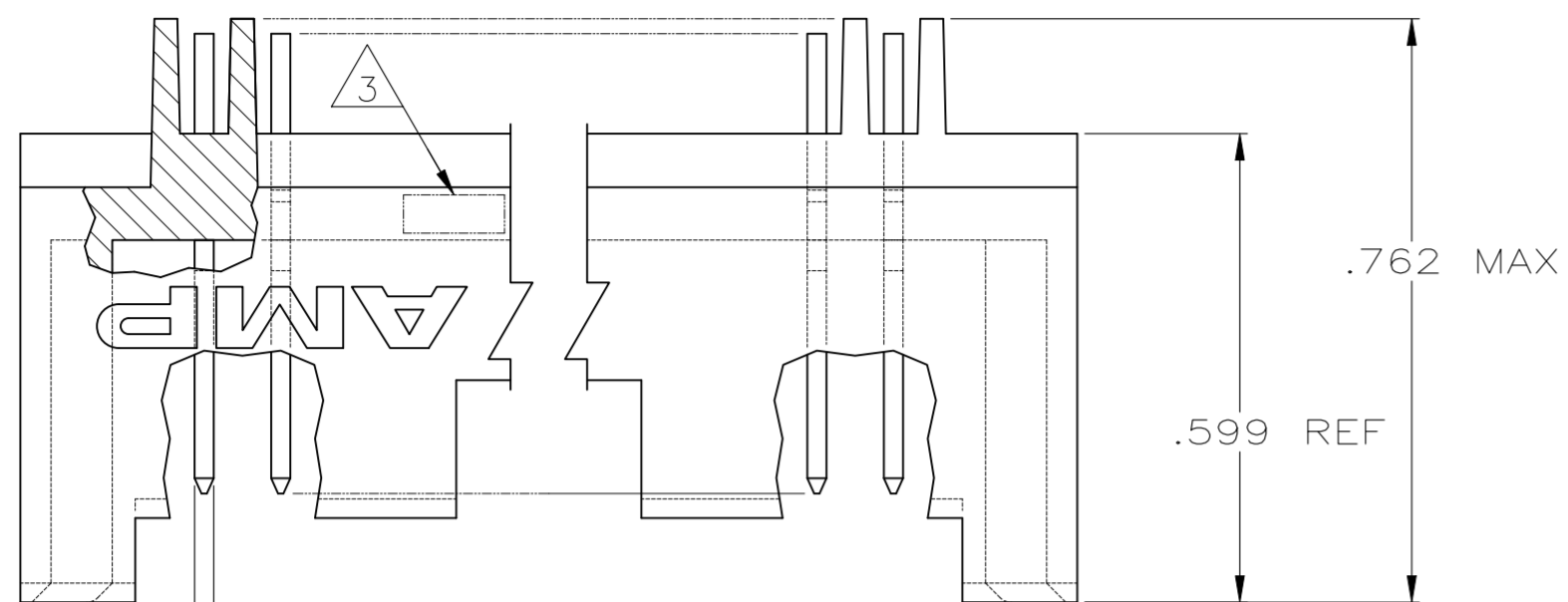


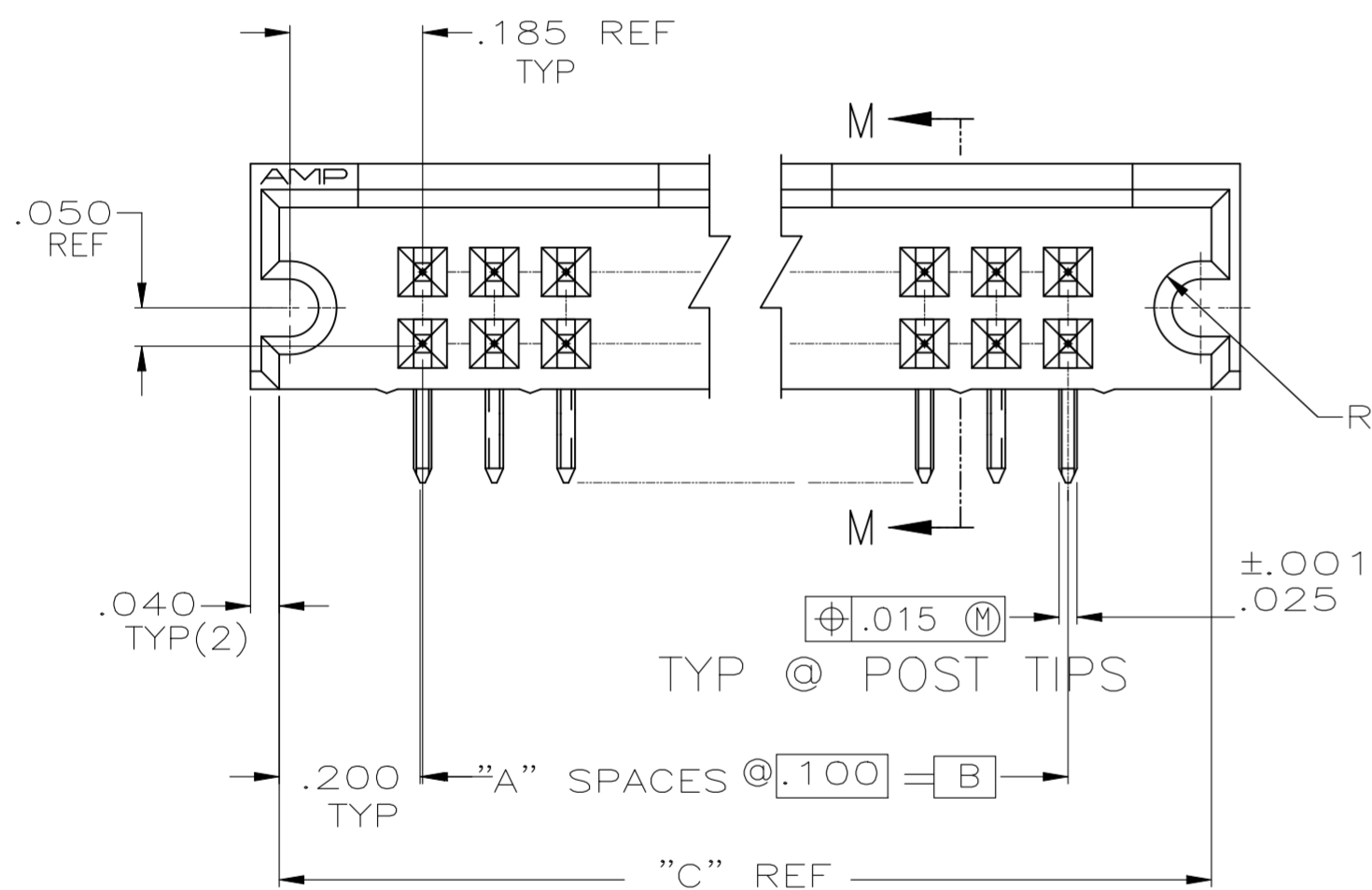
REVISIONS

P	LTR	DESCRIPTION	DATE	DWN	APVD
L4	ECR-25-238910		04APR2025	ABS	PS

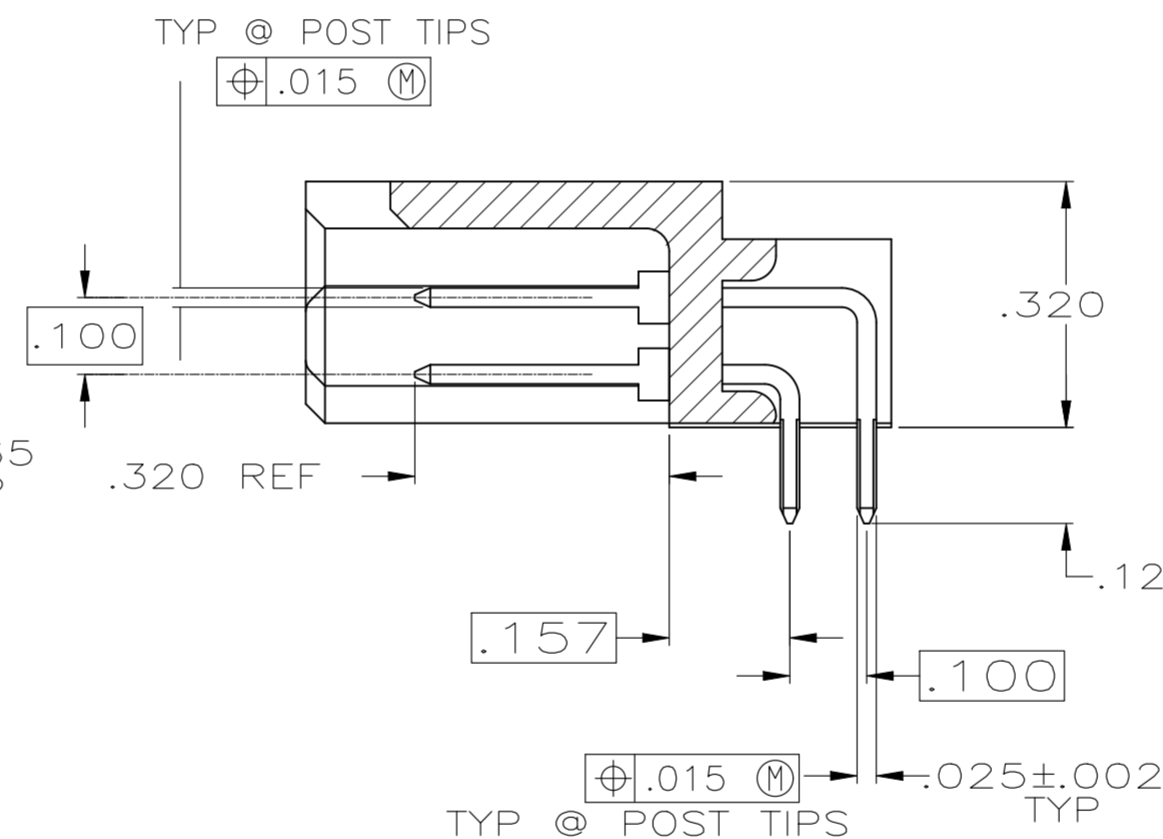


- 1 MATERIAL: HSG FLAME RETARDANT THERMOPLASTIC, COLOR: BLACK. POSTS: PHOS BRONZE
- 2 .000030 GOLD ON CONTACT AREA, .000100-.000200 BRIGHT TIN-LEAD ON SOLDER LEADS, ALL OVER .000050 NICKEL
- 3 RECESSED DATE CODE AND CSA LOGO
- 4 .000030 GOLD ON CONTACT AREA, .000100-.000200 MATTE TIN ON SOLDER LEADS, ALL OVER .000050 NICKEL
- 5 ROHS 2002/95/EC COMPLIANT
- 6 PRELIMINARY PART
- 7 OBSOLETE PARTS: OBSOLETE CIS STREAMLINING PER D.RENAUD/D.SINISI

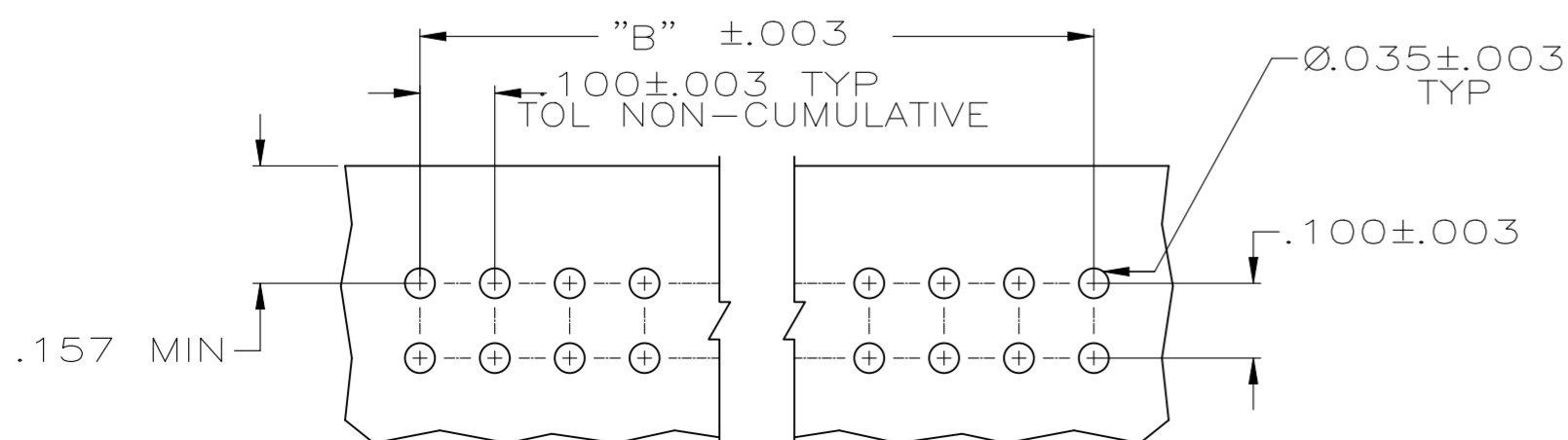
$\Phi .015 \text{ (M)}$
TYP @ POST TIPS



$\Phi .015 \text{ (M)}$
TYP @ POST TIPS



SECTION M-M



RECOMMENDED HOLE LAYOUT

FINISH	"C"	"B"	"A"	NO OF POSN	PART NUMBER
OBSOLETE	1.000	.600	6	14	7-102802-6
OBSOLETE	.800	.400	4	10	7-102802-5
OBSOLETE	8.300	7.900	79	160	7-102802-4
OBSOLETE	2.500	2.100	21	44	7-102802-3
OBSOLETE	7.700	7.300	73	148	7-102802-2
OBSOLETE	6.800	6.400	64	130	6-102802-9
OBSOLETE	4.600	4.200	42	86	6-102802-8
OBSOLETE	3.900	3.500	35	72	6-102802-7
OBSOLETE	1.800	1.400	14	30	6-102802-6
OBSOLETE	1.300	.900	9	20	6-102802-5
OBSOLETE	1.100	.700	7	16	6-102802-4
OBSOLETE	1.500	1.100	11	24	6-102802-3
OBSOLETE	.900	.500	5	12	6-102802-2
OBSOLETE	-	-	-	-	-
OBSOLETE	4.800	4.400	44	90	6-102802-0
OBSOLETE	3.300	2.900	29	60	5-102802-9
OBSOLETE	2.300	1.900	19	40	5-102802-8
OBSOLETE	3.800	3.400	34	70	5-102802-7
OBSOLETE	5.300	4.900	49	100	5-102802-6
OBSOLETE	4.300	3.900	39	80	5-102802-5
OBSOLETE	2.800	2.400	24	50	5-102802-4
OBSOLETE	2.100	1.700	17	36	5-102802-3
OBSOLETE	6.300	5.900	59	120	5-102802-2
OBSOLETE	-	-	-	-	-
OBSOLETE	.800	.400	4	10	2-102802-5
OBSOLETE	8.300	7.900	79	160	2-102802-4
OBSOLETE	2.500	2.100	21	44	2-102802-3
OBSOLETE	7.700	7.300	73	148	2-102802-2
OBSOLETE	6.800	6.400	64	130	1-102802-9
OBSOLETE	4.600	4.200	42	86	1-102802-8
OBSOLETE	3.900	3.500	35	72	1-102802-7
SUP BY 6-102802-6	1.800	1.400	14	30	1-102802-6
SUP BY 6-102802-5	1.300	.900	9	20	1-102802-5
SUP BY 6-102802-4	1.100	.700	7	16	1-102802-4
OBSOLETE	1.500	1.100	11	24	1-102802-3
OBSOLETE	.900	.500	5	12	1-102802-2
OBSOLETE	-	-	-	-	-
OBSOLETE	4.800	4.400	44	90	1-102802-0
OBSOLETE	3.300	2.900	29	60	102802-9
OBSOLETE	2.300	1.900	19	40	102802-8
OBSOLETE	3.800	3.400	34	70	102802-7
OBSOLETE	5.300	4.900	49	100	102802-6
OBSOLETE	4.300	3.900	39	80	102802-5
SUP BY 5-102802-4	2.800	2.400	24	50	102802-4
OBSOLETE	2.100	1.700	17	36	102802-3
OBSOLETE	6.300	5.900	59	120	102802-2

THIS DRAWING IS A CONTROLLED DOCUMENT.

DWN: B. HAYMAKER 30MAR00
CHK: J. GESFORD 30MAR00
APVD: J. GESFORD 30MAR00
PRODUCT SPEC: J. GESFORD
APPLICATION SPEC: -

TE Connectivity

NAME: ASSY, HEADER, MOD II, .025 SQ POSTS
.100X.100CL, DOUBLE ROW, RIGHT ANGLE WITH GUIDE PINS

SIZE: A2 CAGE CODE: 00779 DRAWING NO: C=102802 RESTRICTED TO: -

MATERIAL: 1 FINISH: SEE TABLE WEIGHT: - SCALE: 4:1 SHEET: 1 OF 1 REV: L4

CUSTOMER DRAWING