

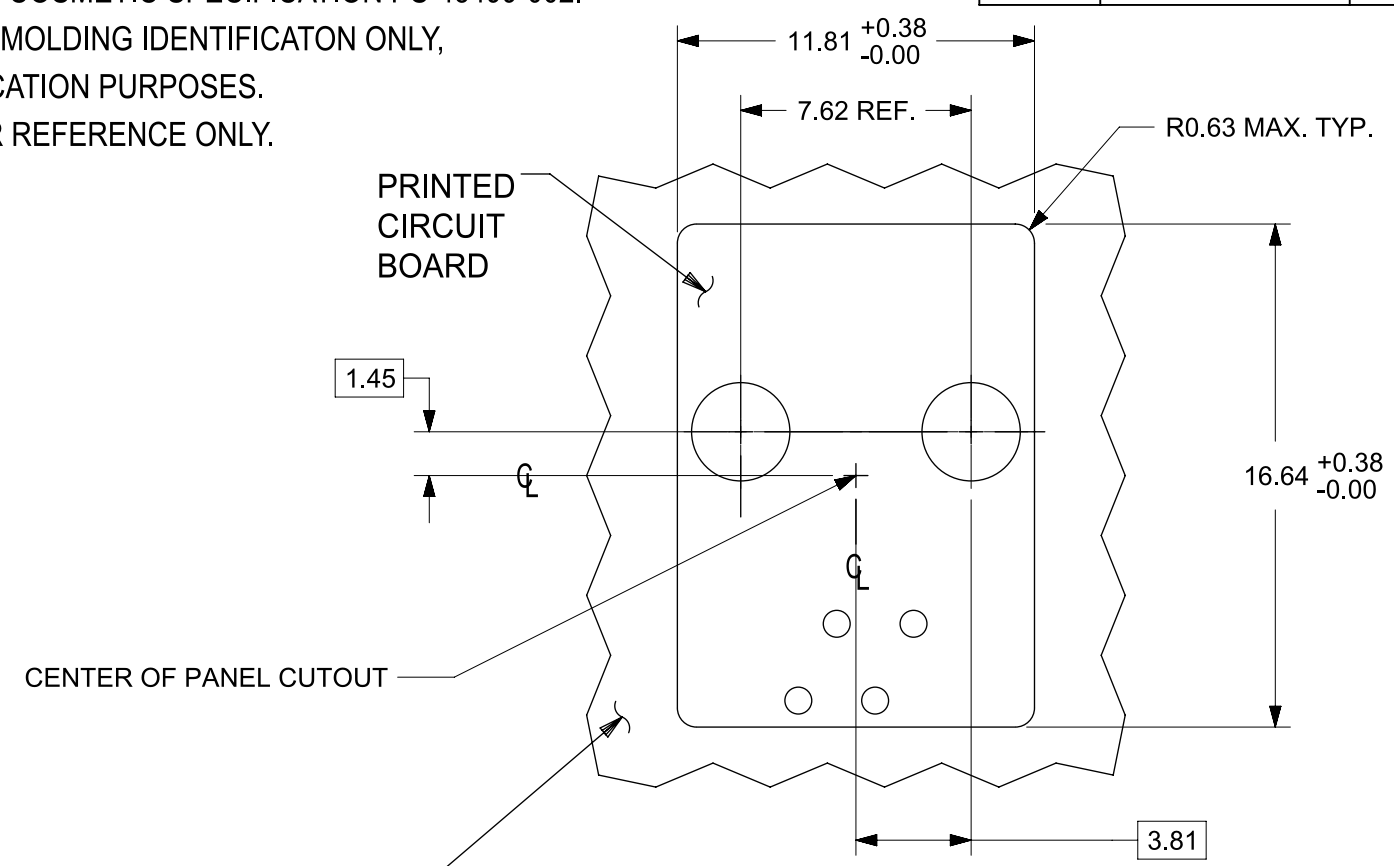
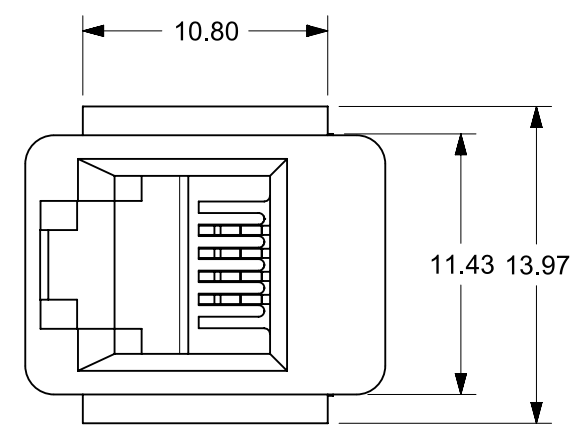
NOTES:

- 1) MATERIALS: HOUSING PARTS ARE MADE OF POLYESTER, RATED U.L. 94 V-0, COLOR IS BLACK; TERMINALS ARE 0.38 mm THICK PHOSPHOR BRONZE.
- 2) TERMINAL PLATING OPTIONS PER ES-88-***:
A - SELECT GOLD IN CONTACT AREA: 1.27 MICROMETERS MIN.,
SELECT MATTE TIN IN PC TAIL AREA: 2.54 MICROMETERS MIN.,
WITH OVERALL NICKEL UNDERPLATE: 1.27 MICROMETERS MIN.
- 3) THESE MODULAR JACKS MEET THE PERFORMANCE REQUIREMENTS OF MOLEX PRODUCT SPECIFICATION PS-42410.
- 4) CONNECTORS ARE TO BE PACKED IN THERMOFORMED TRAYS, PER PACKAGING SPECIFICATION PK-42410-492.
- 5) ALL JACKS ARE DESIGNED TO BE USED WITH 1.57mm THICK P.C. BOARDS.
- 6) ALL JACKS CONFORM TO AND ACCEPT PLUGS WHICH CONFORM TO FCC RULES AND REGULATIONS PART 68, SUBPART F, WHEN PLATED WITH 1.27 MICROMETERS GOLD.
- 7) ALL JACKS MUST BE CAPABLE OF FITTING INTO MOLEX GAGE G-42410.
- 8) SEE SHEET 2 FOR CONNECTOR SIZE 6.
- 9) SEE SHEET 3 FOR CONNECTOR SIZE 8.
- 10) PART CONFORMS TO CLASS "B" REQUIREMENTS OF COSMETIC SPECIFICATION PS-45499-002.
- 11) ENGRAVED NUMBERS ON HOUSING BODY ARE FOR MOLDING IDENTIFICATION ONLY, THEY ARE NOT INTENDED FOR ASSEMBLY IDENTIFICATION PURPOSES.
- 12) ALL UNTOLERANCED DIMENSIONS ARE SHOWN FOR REFERENCE ONLY.

P.C. BOARD THICKNESS	DIM. "D" (MTG PEGS)	DIM. "F" (P.C. TAILS)
1.57	3.25	3.05 +0.38/-0.63

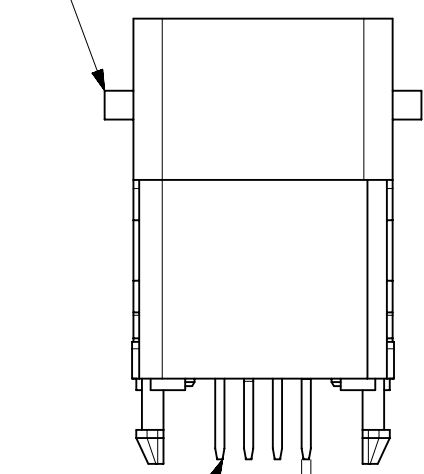
CONNECTOR SIZE	CIRCUIT SIZE	DIM. "G"
4	4	3.81

SIZE 4 VERTICAL MODJACK ASSEMBLIES						
"X"= NOT TOOLED	ASSEMBLY ITEM NUMBER	PART CHARACTERISTICS				
		EXTERNAL CONNECTOR SIZE	NUMBER OF POSITIONS	P.C. BOARD THICKNESS	MOUNTING EARS OPTION	TERMINAL PLATING OPTION
	42410-4168	4 POS. BODY	4	1.57	YES	A
	42410-4170	4 POS. BODY	4	1.57	NO	A

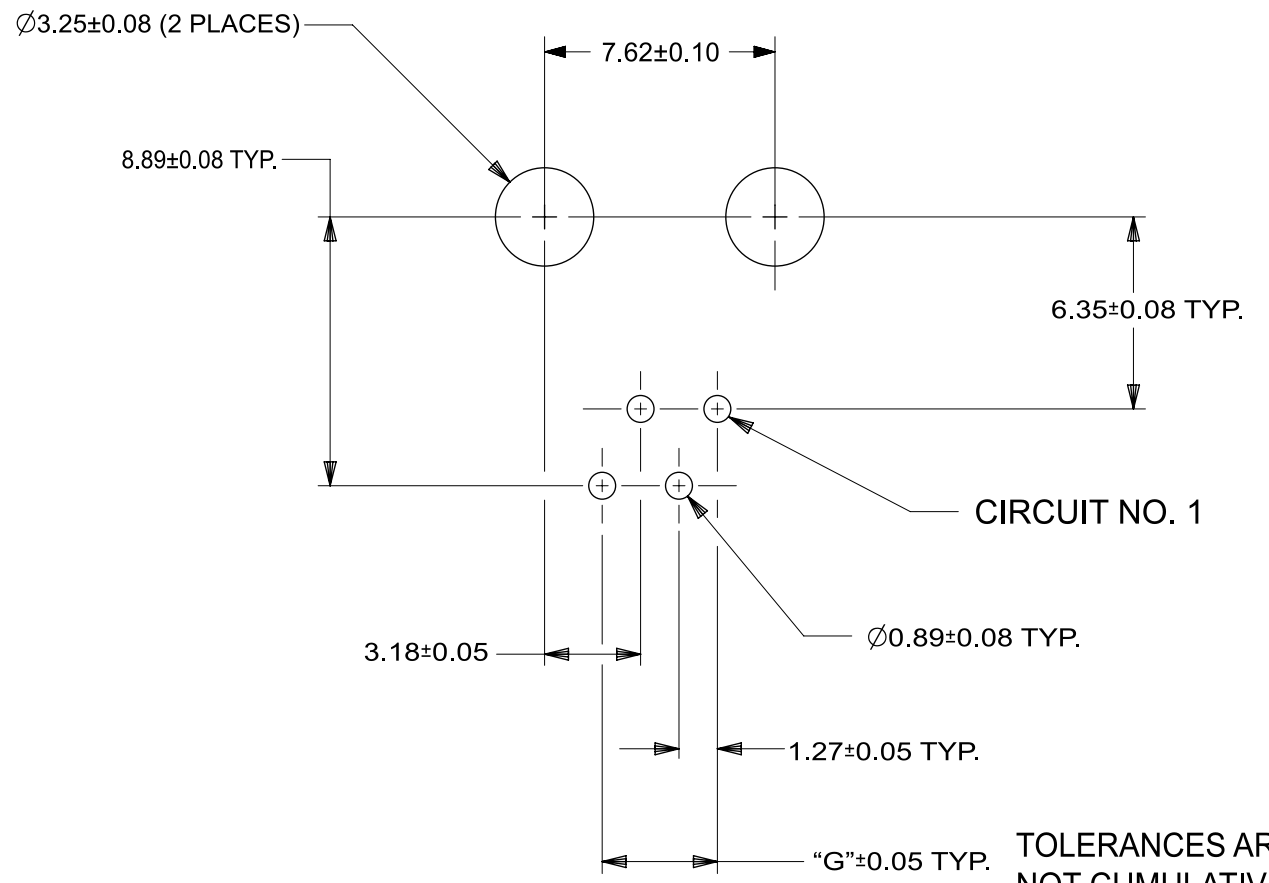
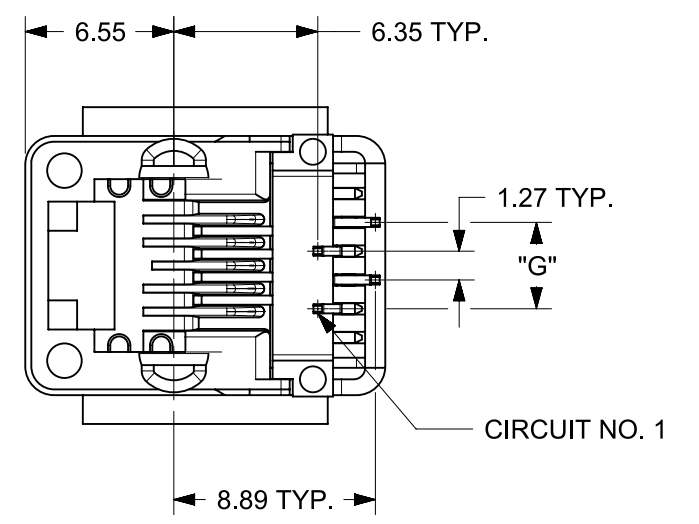
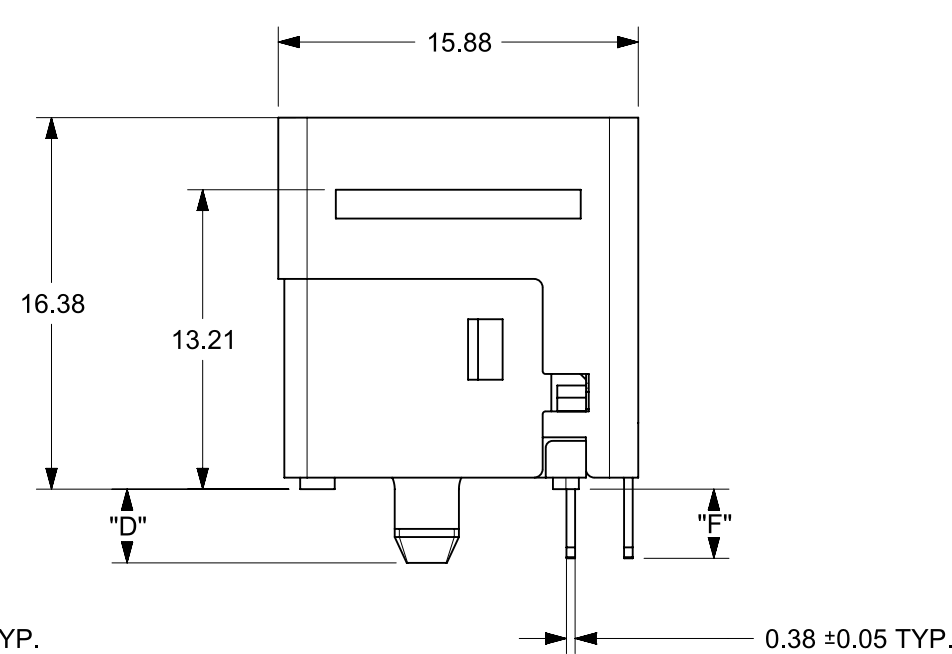


PANEL CUT-OUT FOR CONNECTOR SIZE 4

MOUNTING EARS ARE OPTIONAL



CIRCUIT NO. 1 (LOCATED AT THIS END OF CONNECTOR)



P.C. BOARD LAYOUT FOR CONNECTOR SIZE 4
VIEWED FROM COMPONENT SIDE

PREVIOUS DRAWING: SDA-42410-XXXX

SIZE 4 MODULAR JACK LOADED WITH 4 TERMINALS SHOWN ABOVE

FUNCTIONAL SYMBOLS $F_A = 0$ $F_C = 0$ $F_P = 0$ DIVISIONAL SYMBOLS	THIS DRAWING CONTAINS INFORMATION THAT IS PROPRIETARY TO MOLEX ELECTRONIC TECHNOLOGIES, LLC AND SHOULD NOT BE USED WITHOUT WRITTEN PERMISSION		CURRENT REV DESC: Remove the call out in the tables for 3.18mm PCB thickness on all 3 pages. This product has been obsoleted	
	DIMENSION UNITS	SCALE	STATUS: Production	
	MM	3:1	DRWN: Faye Wang	2026-02-24
	GENERAL TOLERANCES (UNLESS SPECIFIED)		CHK'D: Sean Mc Greevy	2026-03-02
ANGULAR TOL ± 0.5°		APPR: Keith Lang	2026-03-02	
4 PLACES ±		THIRD ANGLE PROJECTION	DRAWING SERIES	
3 PLACES ±			C-SIZE 42410	
2 PLACES ± 0.250				
1 PLACE ± 0.35				
0 PLACES ±				
DRAFT WHERE APPLICABLE MUST REMAIN WITHIN DIMENSIONS				

molex			
ASSEMBLY; VERTICAL MODULAR JACKS			
PRODUCT CUSTOMER DRAWING			
DOCUMENT NUMBER	DOC TYPE	DOC PART	REVISION
424108312	PSD	000	N5
MATERIAL NUMBER	CUSTOMER	SHEET NUMBER	
SEE CHART	GENERAL MARKET	1 OF 3	

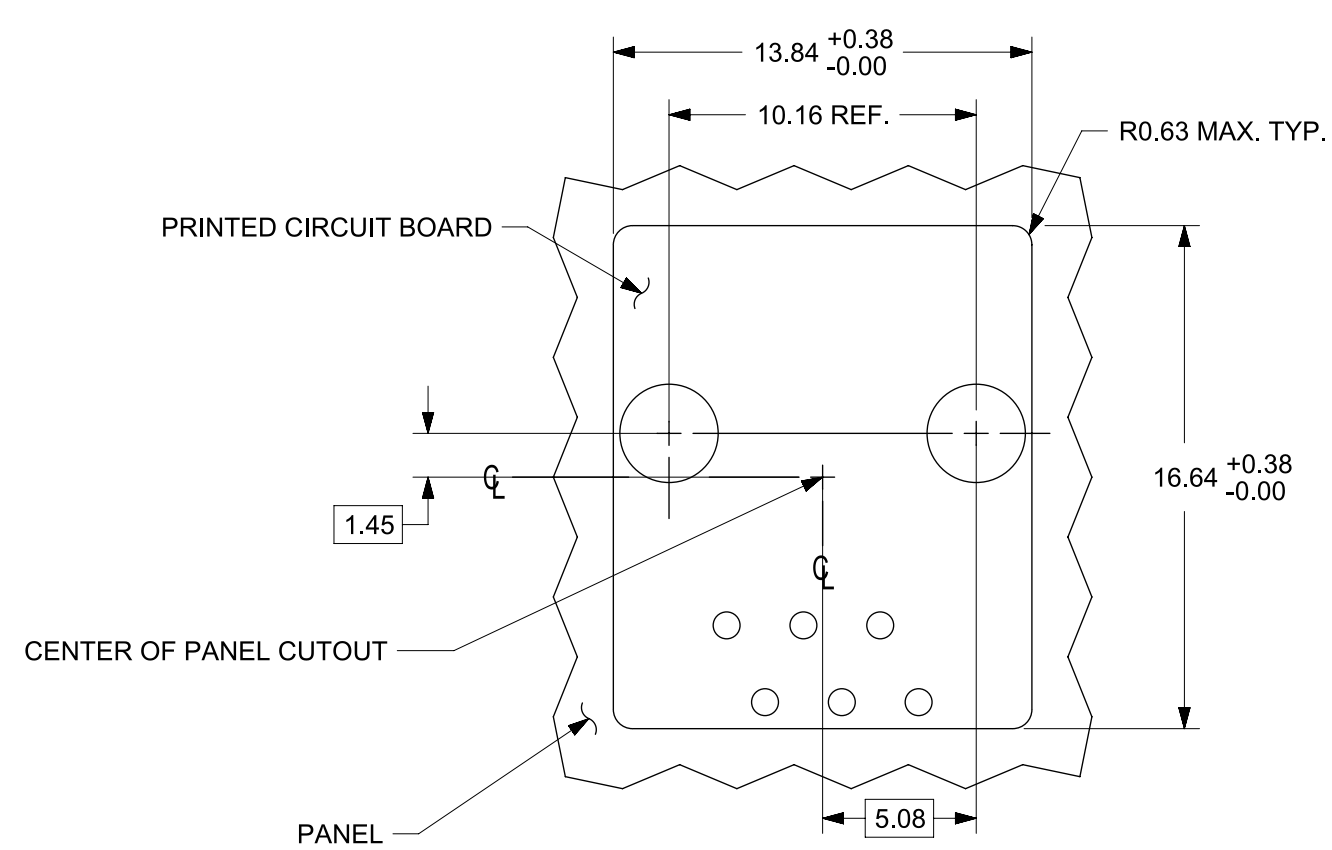
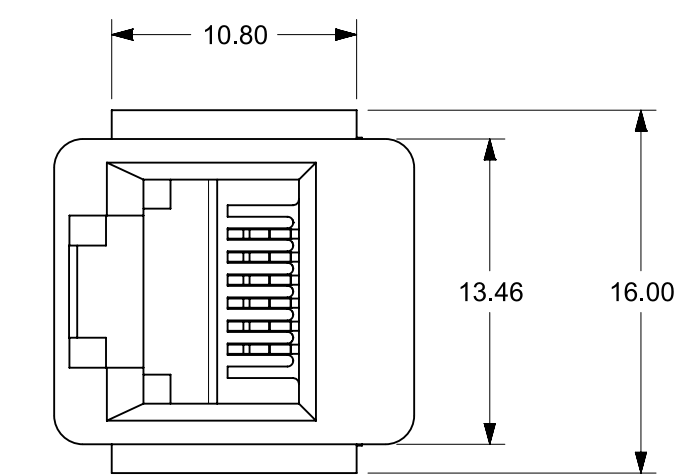
NOTES:

- 1) SEE SHEET 1 FOR ALL UNSPECIFIED NOTES.
- 2) SEE SHEET 1 FOR CONNECTOR SIZE 4
- 3) SEE SHEET 3 FOR CONNECTOR SIZE 8
- 4) ALL JACKS MUST BE CAPABLE OF FITTING INTO MOLEX GAGE G-42410 (CONNECTOR SIZE 6)

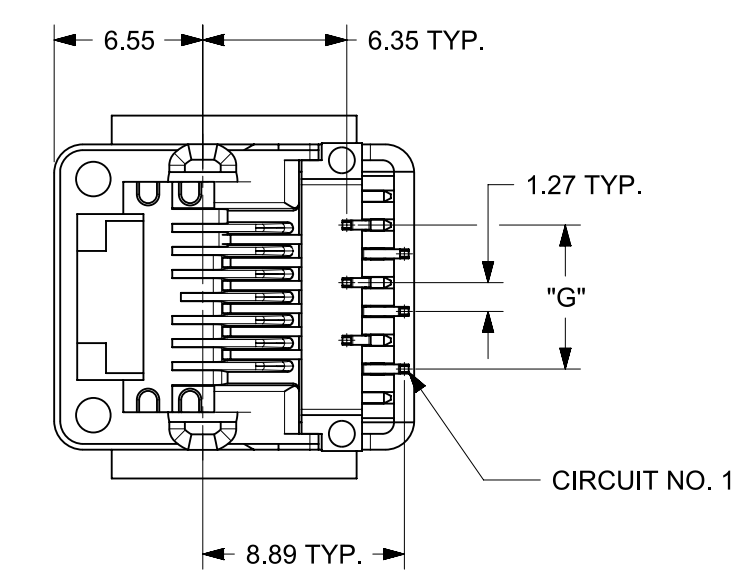
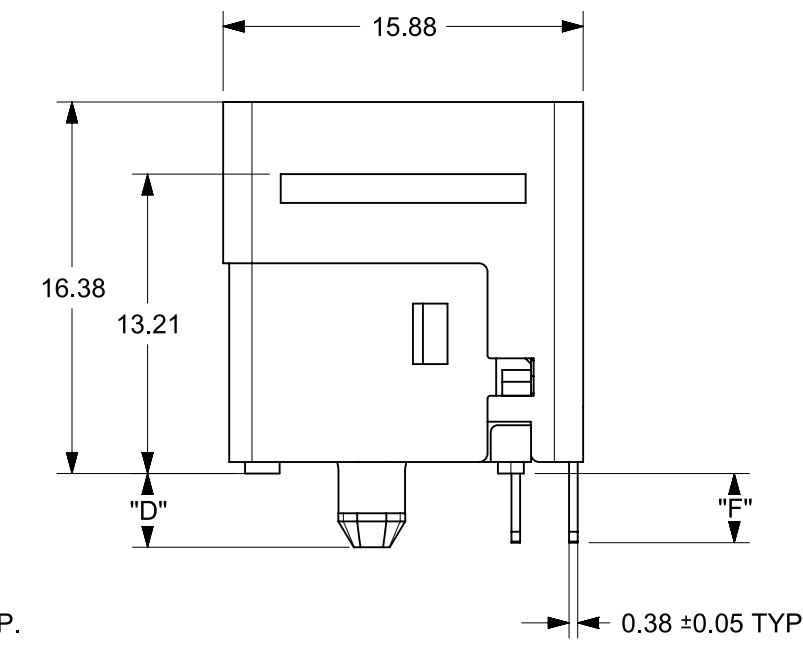
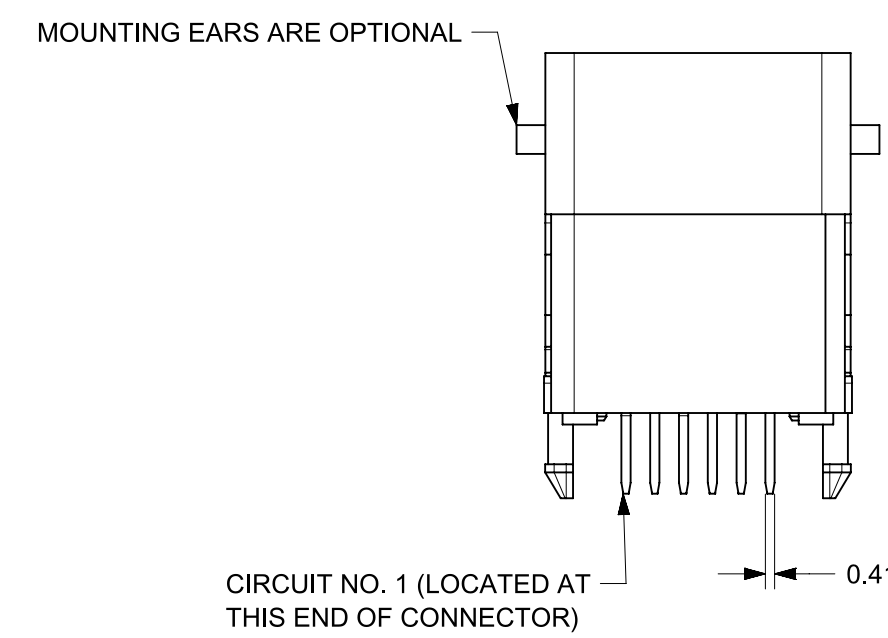
P.C. BOARD THICKNESS	DIM. "D" (MTG PEGS)	DIM. "F" (P.C. TAILS)
1.57	3.25	3.05 +0.38/-0.63

CONNECTOR SIZE	CIRCUIT SIZE	DIM. "G"
6	6	6.35
6	4	3.81
6	2	1.27

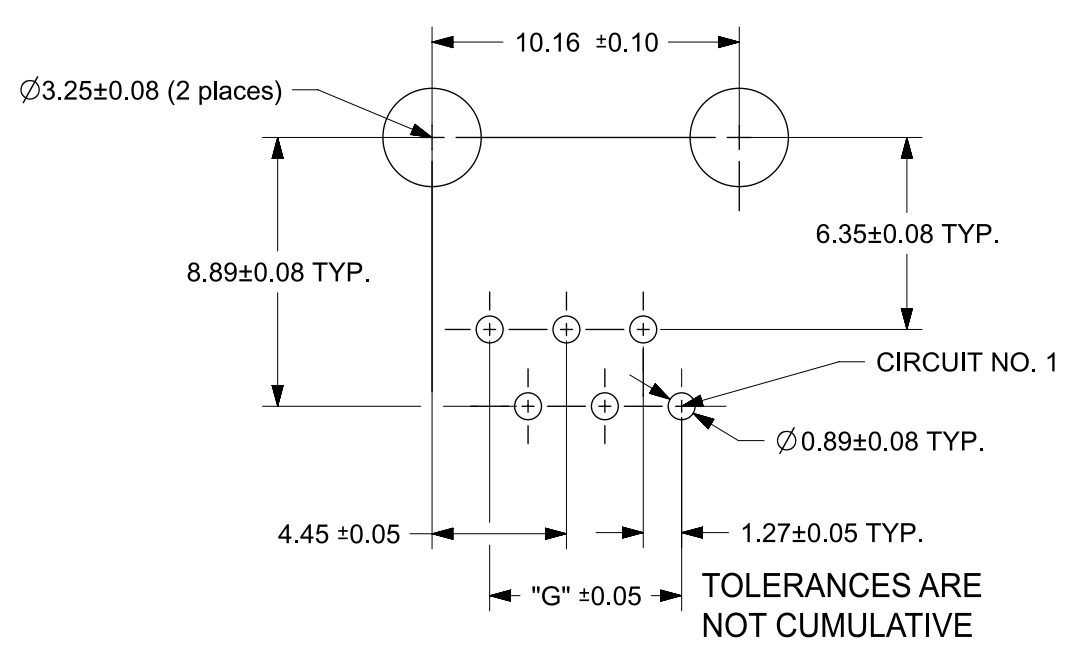
SIZE 6 VERTICAL MODJACK ASSEMBLIES						
"X"= NOT TOOLED	ASSEMBLY ITEM NUMBER	PART CHARACTERISTICS				
		EXTERNAL CONNECTOR SIZE	NUMBER OF POSITIONS	P.C. BOARD THICKNESS	MOUNTING EARS OPTION	TERMINAL PLATING OPTION
	42410-6168	6 POS. BODY	6	1.57	YES	A
	42410-6170	6 POS. BODY	6	1.57	NO	A
	42410-6314	6 POS. BODY	4	1.57	NO	A
	42410-6456	6 POS. BODY	2	1.57	YES	A



PANEL CUT-OUT FOR CONNECTOR SIZE 6



SIZE 6 MODULAR JACK LOADED WITH 6 TERMINALS SHOWN ABOVE



**P.C. BOARD LAYOUT FOR CONNECTOR SIZE 6
VIEWED FROM COMPONENT SIDE**

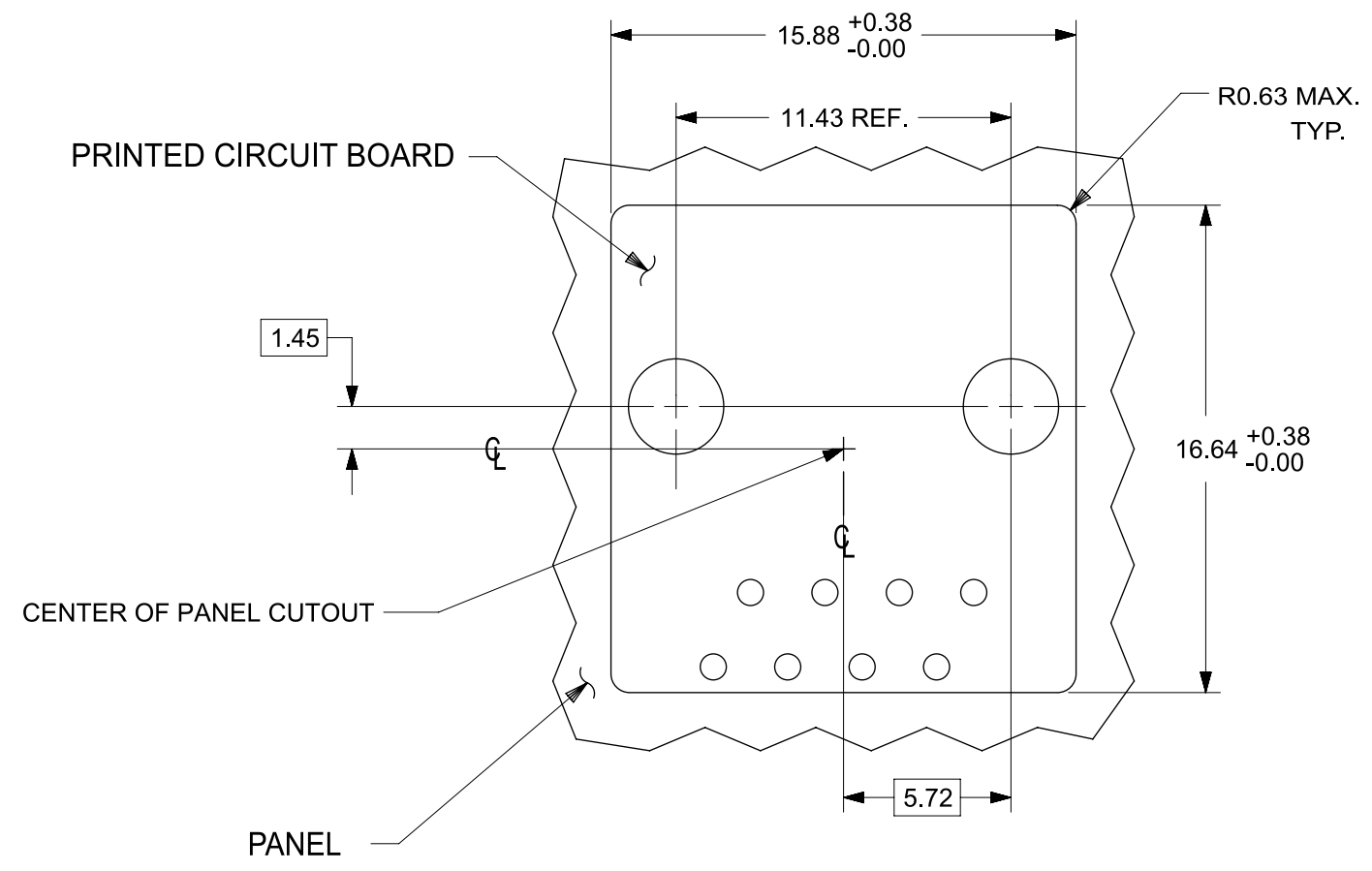
FUNCTIONAL SYMBOLS $F_A = 0$ $F_C = 0$ $F_P = 0$ DIVISIONAL SYMBOLS	THIS DRAWING CONTAINS INFORMATION THAT IS PROPRIETARY TO MOLEX ELECTRONIC TECHNOLOGIES, LLC AND SHOULD NOT BE USED WITHOUT WRITTEN PERMISSION		CURRENT REV DESC: Remove the call out in the tables for 3.18mm PCB thickness on all 3 pages. This product has been obsoleted	
	DIMENSION UNITS	SCALE	molex ASSEMBLY; VERTICAL MODULAR JACKS PRODUCT CUSTOMER DRAWING	
	MM	3:1		
	GENERAL TOLERANCES (UNLESS SPECIFIED)			
ANGULAR TOL ± 0.5°		STATUS: Production		
4 PLACES ±		DRWN: Faye Wang 2026-02-24		
3 PLACES ±		CHK'D: Sean Mc Greevy 2026-03-02		
2 PLACES ± 0.250		APPR: Keith Lang 2026-03-02		
1 PLACE ± 0.35		DRAWING SERIES		
0 PLACES ±		C-SIZE 42410		
DRAFT WHERE APPLICABLE MUST REMAIN WITHIN DIMENSIONS		THIRD ANGLE PROJECTION	MATERIAL NUMBER	CUSTOMER
			SEE CHART	GENERAL MARKET
			DOCUMENT NUMBER	DOC TYPE DOC PART REVISION
			424108312	PSD 000 N5
			SHEET NUMBER	
			2 OF 3	

NOTES:

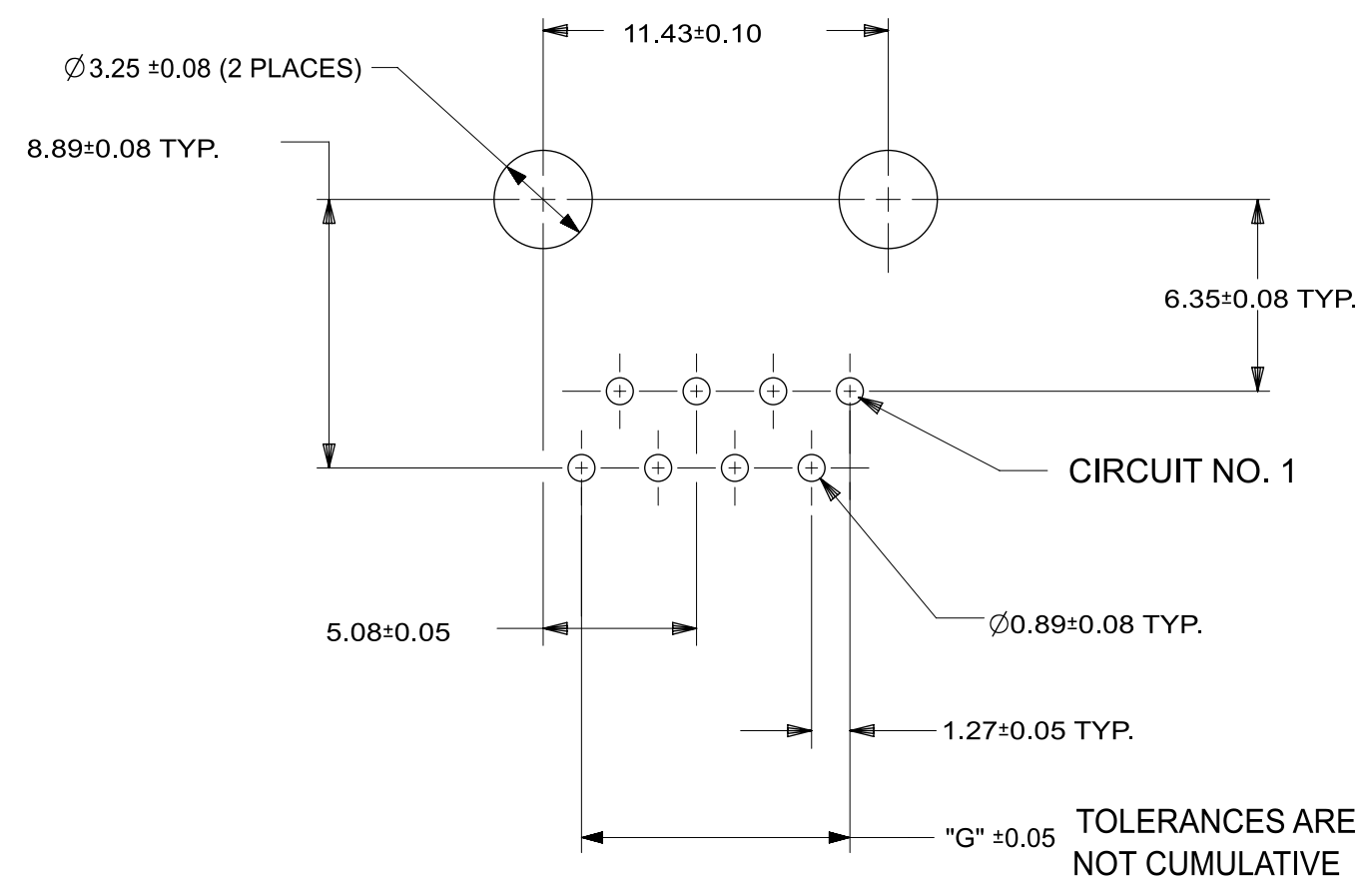
- 1) SEE SHEET 1 FOR ALL UNSEPCIFIED NOTES.
- 2) SEE SHEET 1 FOR CONNECTOR SIZE 4
- 3) SEE SHEET 2 FOR CONNECTOR SIZE 6
- 4) ALL JACKS MUST BE CAPABLE OF FITTING INTO MOLEX GAGE G-42410 (CONNECTOR SIZE 8)

P.C. BOARD THICKNESS	DIM. "D" (MTG. PEGS)	DIM. "F" (P.C. TAILS)
1.57	3.25	3.05 +0.38/-0.63

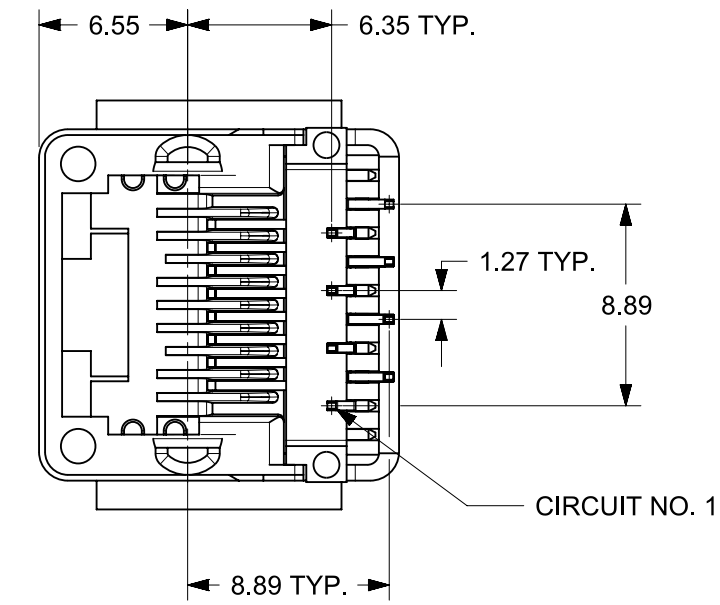
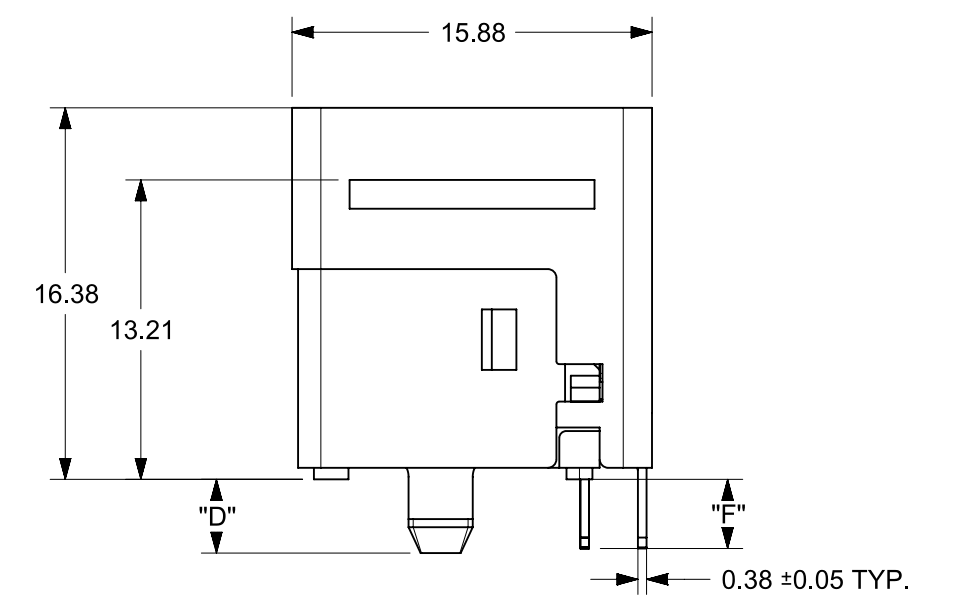
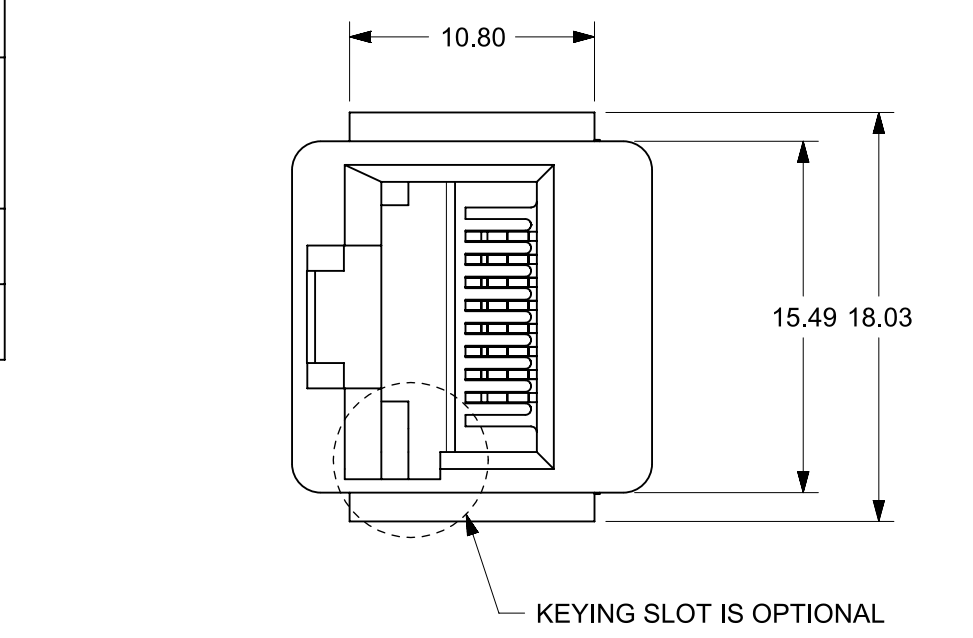
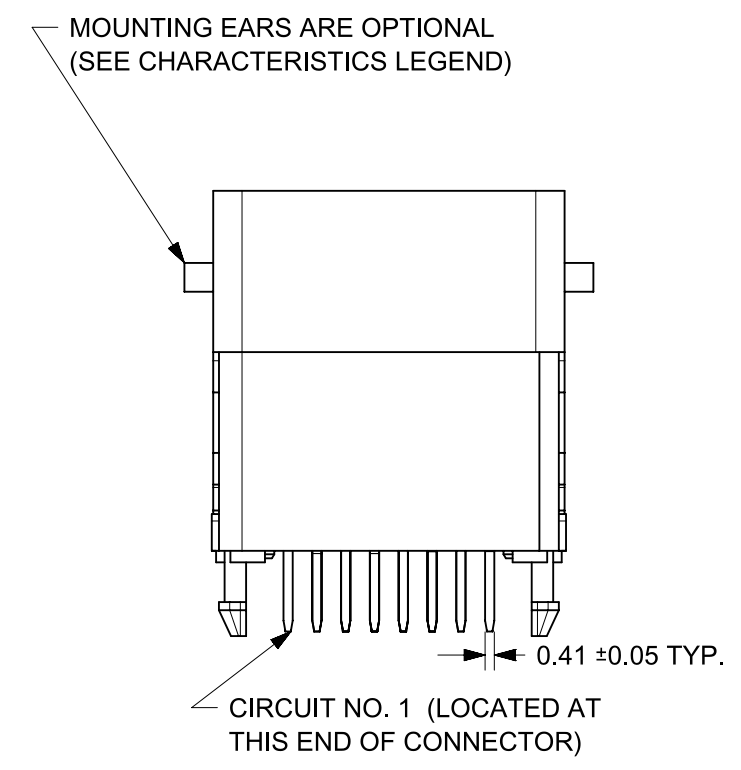
SIZE 8 VERTICAL MODJACK ASSEMBLIES							
"X"=NOT TOOLED	ASSEMBLY ITEM NUMBER	PART CHARACTERISTICS					
		EXTERNAL CONNECTOR SIZE	NUMBER OF POSITIONS	P.C. BOARD THICKNESS	KEYING OPTION	MOUNTING EARS OPTION	TERMINAL PLATING OPTION
	42410-8312	8 POS. BODY	8	1.57	NO	YES	A
	42410-8314	8 POS. BODY	8	1.57	NO	NO	A



PANEL CUT-OUT FOR CONNECTOR SIZE 8



P.C. BOARD LAYOUT FOR CONNECTOR SIZE 8
VIEWED FROM COMPONENT SIDE



SIZE 8 MODULAR JACK LOADED WITH 8 TERMINALS SHOWN ABOVE

FUNCTIONAL SYMBOLS $F_A = 0$ $F_C = 0$ $F_P = 0$	THIS DRAWING CONTAINS INFORMATION THAT IS PROPRIETARY TO MOLEX ELECTRONIC TECHNOLOGIES, LLC AND SHOULD NOT BE USED WITHOUT WRITTEN PERMISSION		CURRENT REV DESC: Remove the call out in the tables for 3.18mm PCB thickness on all 3 pages. This product has been obsoleted	
	DIMENSION UNITS	SCALE		
	MM	3:1		
	GENERAL TOLERANCES (UNLESS SPECIFIED)			
ANGULAR TOL ± 0.5°				
4 PLACES ±				
3 PLACES ±				
2 PLACES ± 0.250				
1 PLACE ± 0.35				
0 PLACES ±				
DRAFT WHERE APPLICABLE MUST REMAIN WITHIN DIMENSIONS				
THIRD ANGLE PROJECTION				
DRAWING		SERIES		
C-SIZE		42410		
STATUS: Production		2026-02-24		
DRWN: Faye Wang		2026-03-02		
CHK'D: Sean Mc Greevy		2026-03-02		
APPR: Keith Lang				
DOCUMENT NUMBER		DOC TYPE DOC PART REVISION		
424108312		PSD 000 N5		
MATERIAL NUMBER		CUSTOMER		
SEE CHART		GENERAL MARKET		
SHEET NUMBER		3 OF 3		

molex

ASSEMBLY; VERTICAL MODULAR JACKS

PRODUCT CUSTOMER DRAWING