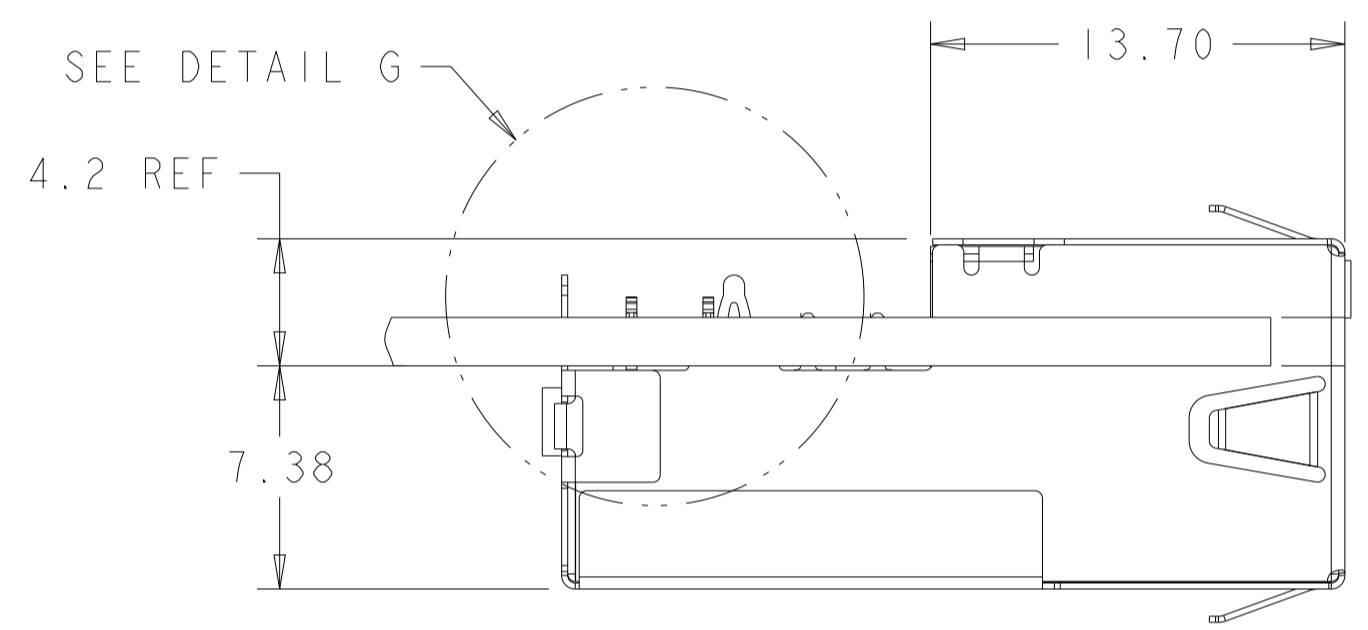
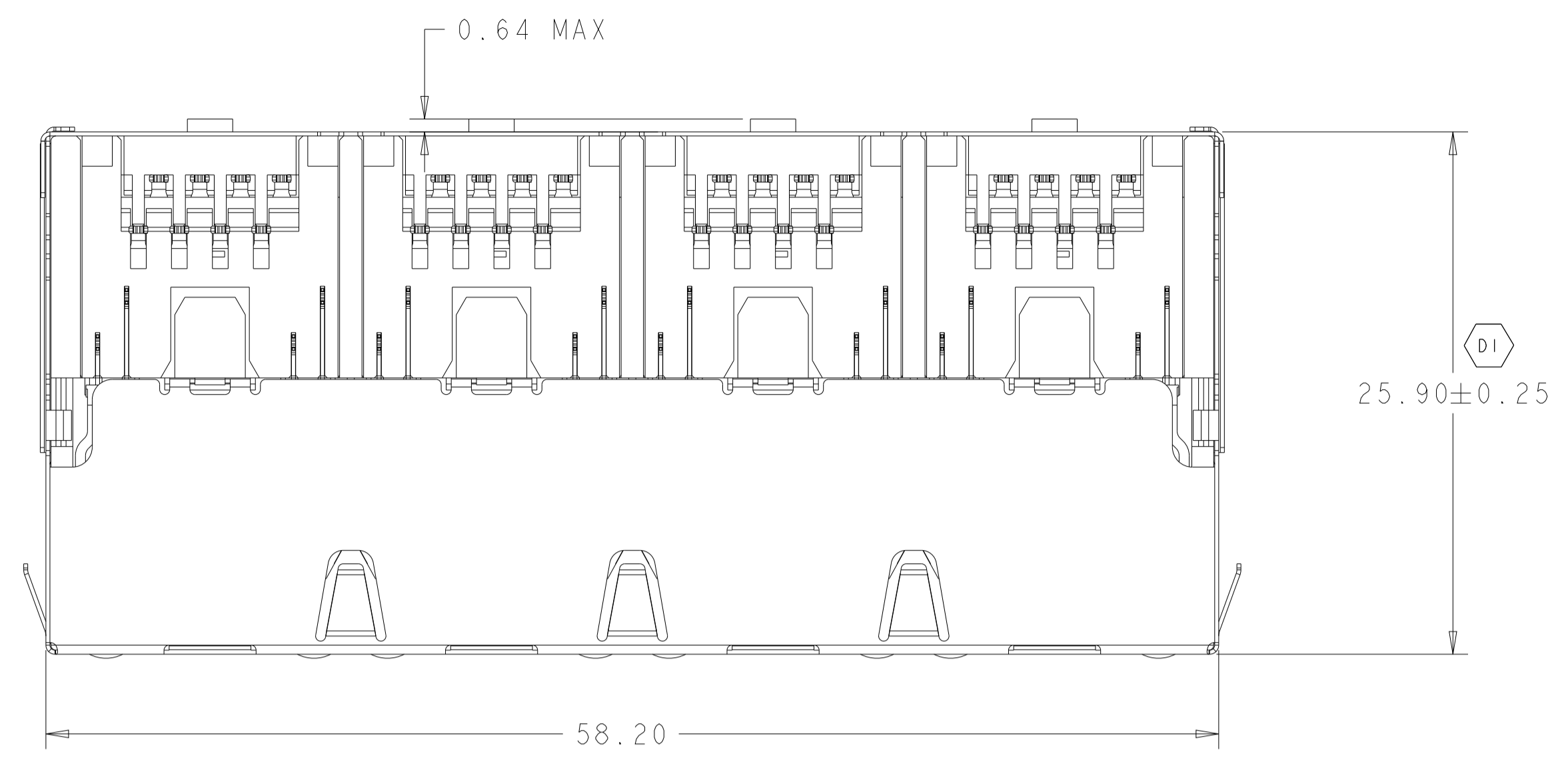
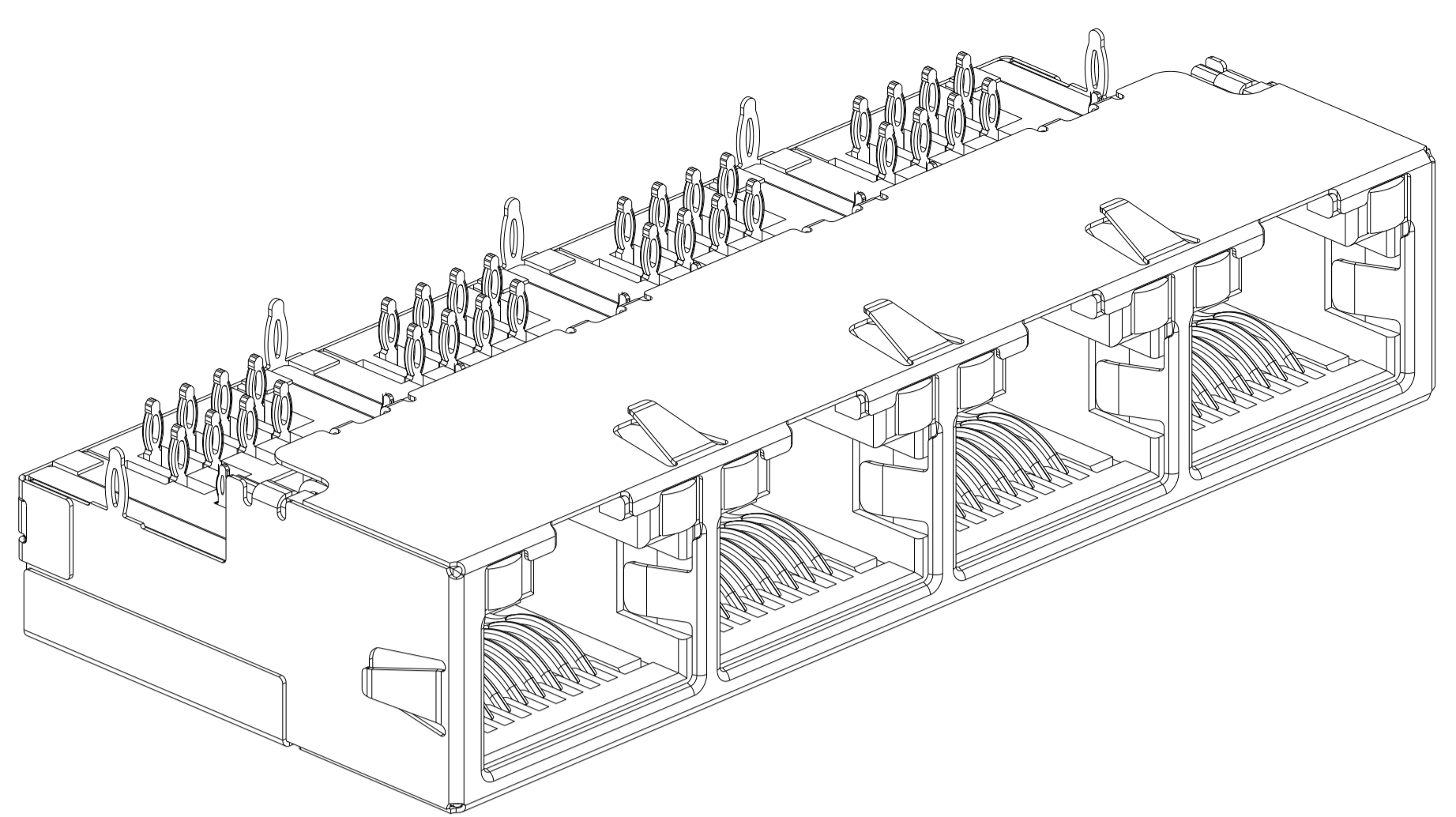
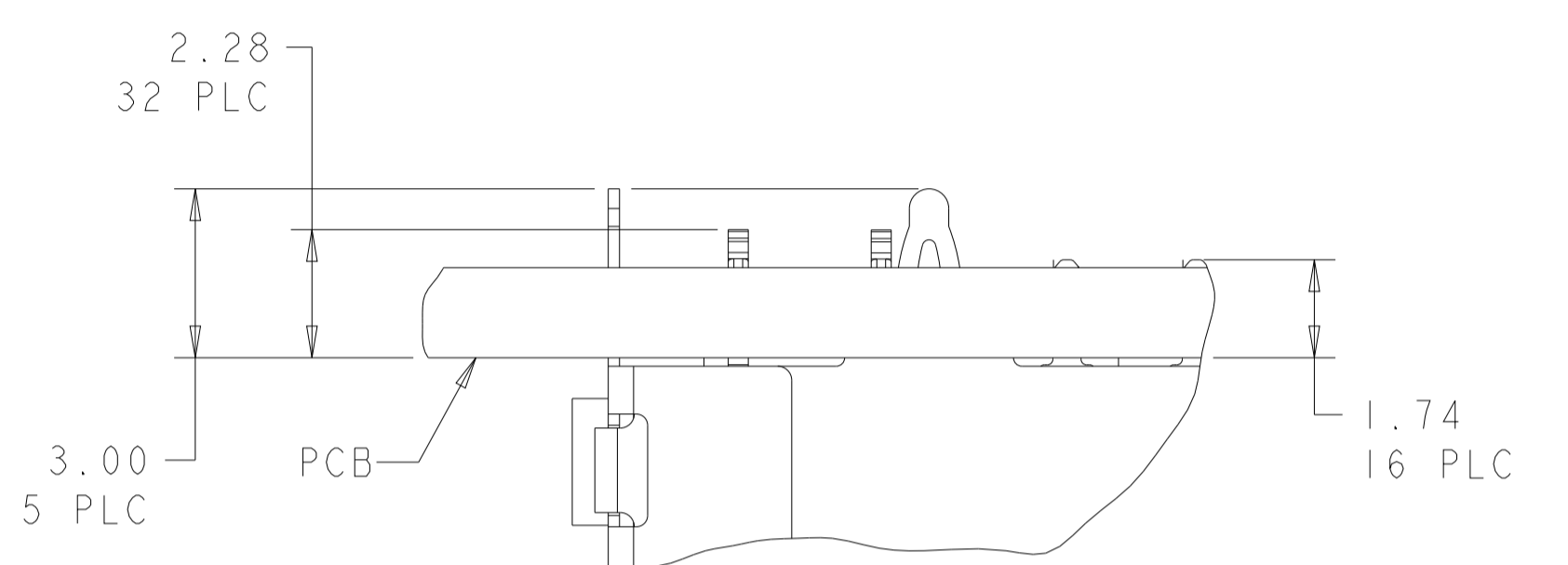
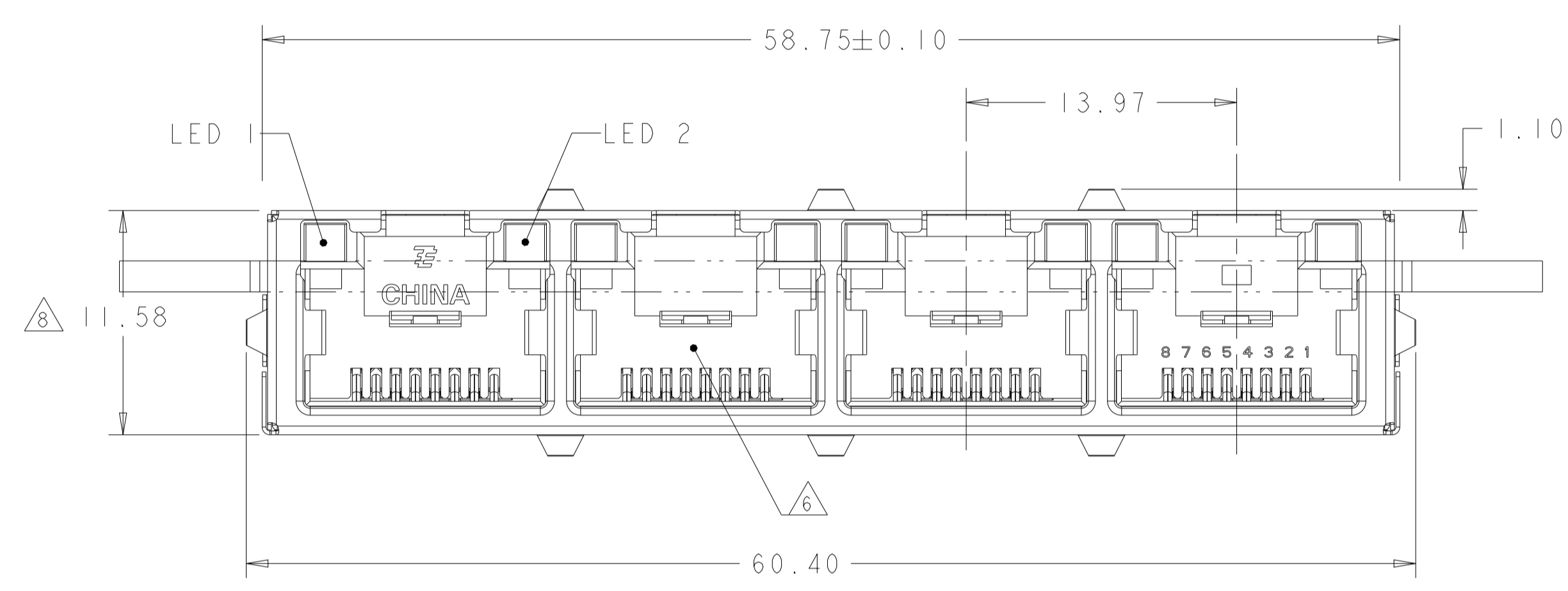


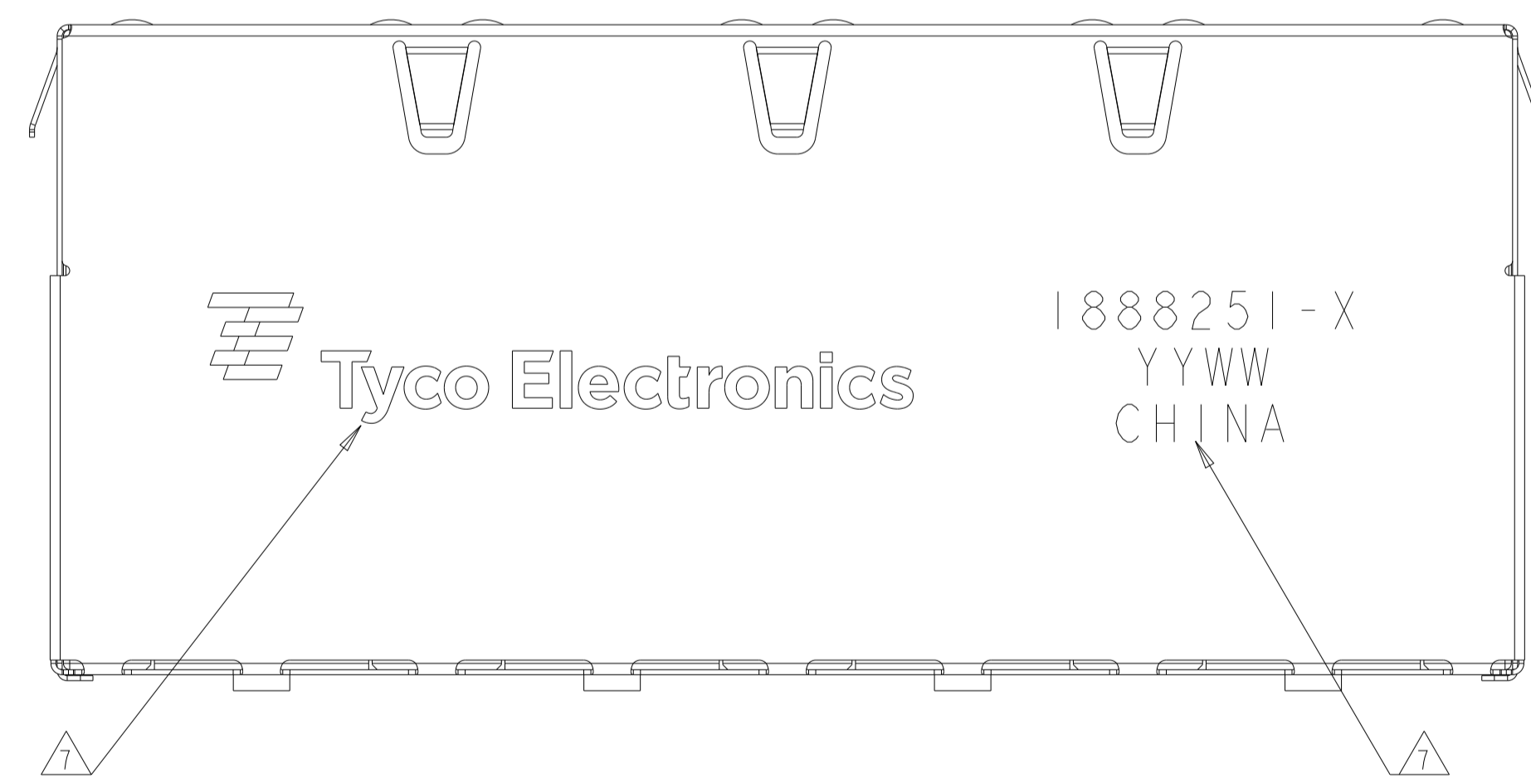
LOC	DIST	REVISIONS					
AA	00	P	LTN	DESCRIPTION	DATE	DWN	APVD
		B6		REVISED PER ECO-11-005033	18MAR2011	RK	HMR
		C		ECO-18-005828	27MAR2018	LL	SH
		D		REVISED AS PER ECR-26-270602	10FEB2026	KSD	RK
		D1		REVISED PER ECN-26-387025	21APR2026	NG	RK



VIEW SHOWN ASSEMBLED TO PCB ONLY

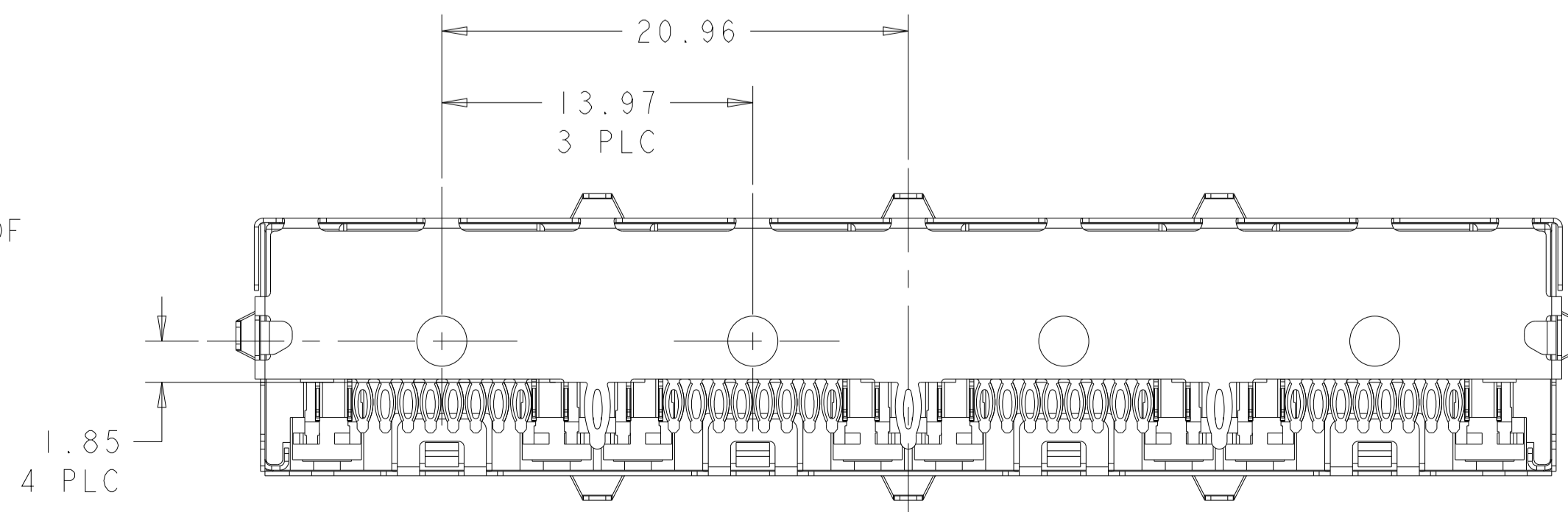


DETAIL G SCALE 8:1



- MATERIALS:
 HOUSING: BLACK PBT, 94V-0.
 OVERMOLDED INSERT: BLACK LCP, 94V-0.
 SHIELD: COPPER ALLOY WITH 0.76µm MIN NICKEL PLATE
 CONTACTS: PHOSPHOR BRONZE WITH 1.27µm MIN GOLD AT MATING INTERFACE OVER 1.27µm MIN NICKEL UNDERPLATE.
- PERFORMANCE:
 INSERTION LOSS: 0.4dB @ 100 MHz.
 RETURN LOSS: 12.0dB @ 100 MHz.
 CROSSTALK ATTENUATION: -43dB MINIMUM @ 100MHz
- LED'S COMPLIANT WITH IEC60825-1 SAFETY OF LASER PRODUCTS WHEN OPERATED AT CURRENT OF 20mA.
- ALL DIMENSIONS NOMINAL.
- RECOMMENDED MOTHERBOARD PCB THICKNESS: 1.60±0.16.

- 6 RJ45 PORT CONFORMS TO FCC RULES AND REGULATIONS PART 68 SUB-PART F.
- 7 TE LOGO, TE CONNECTIVITY PART NUMBER, DATE CODE AND COUNTRY OF ORIGIN TO BE MARKED IN APPROXIMATE LOCATION SHOWN.
- 8 THIS DIMENSION MEETS THE ADVANCED MEZZANINE CARD (AMC) SPECIFICATION.
- 9 LED WAVELENGTH FOR THE PN 1888251-5:
 GREEN: 520nm ~ 525nm; YELLOW: 590nm ± 5nm.



LED #1	LED #2	PART NUMBER
YEL/GRN	GRN/YEL	1888251-8
GRN/YEL	YEL/GRN	1888251-7
GRN/YEL	GRN/YEL	1888251-5
GREEN	GREEN	1888251-4
-	-	1888251-3
GRN/YEL	GRN/YEL	1888251-2
GREEN	YELLOW	1888251-1

THIS DRAWING IS A CONTROLLED DOCUMENT. DWN M.E.S./L.A. WAYER 15FEB2008
 CHK J.WESTMAN 15FEB2008
 APVD S.FLICKINGER 15FEB2008

TE Connectivity

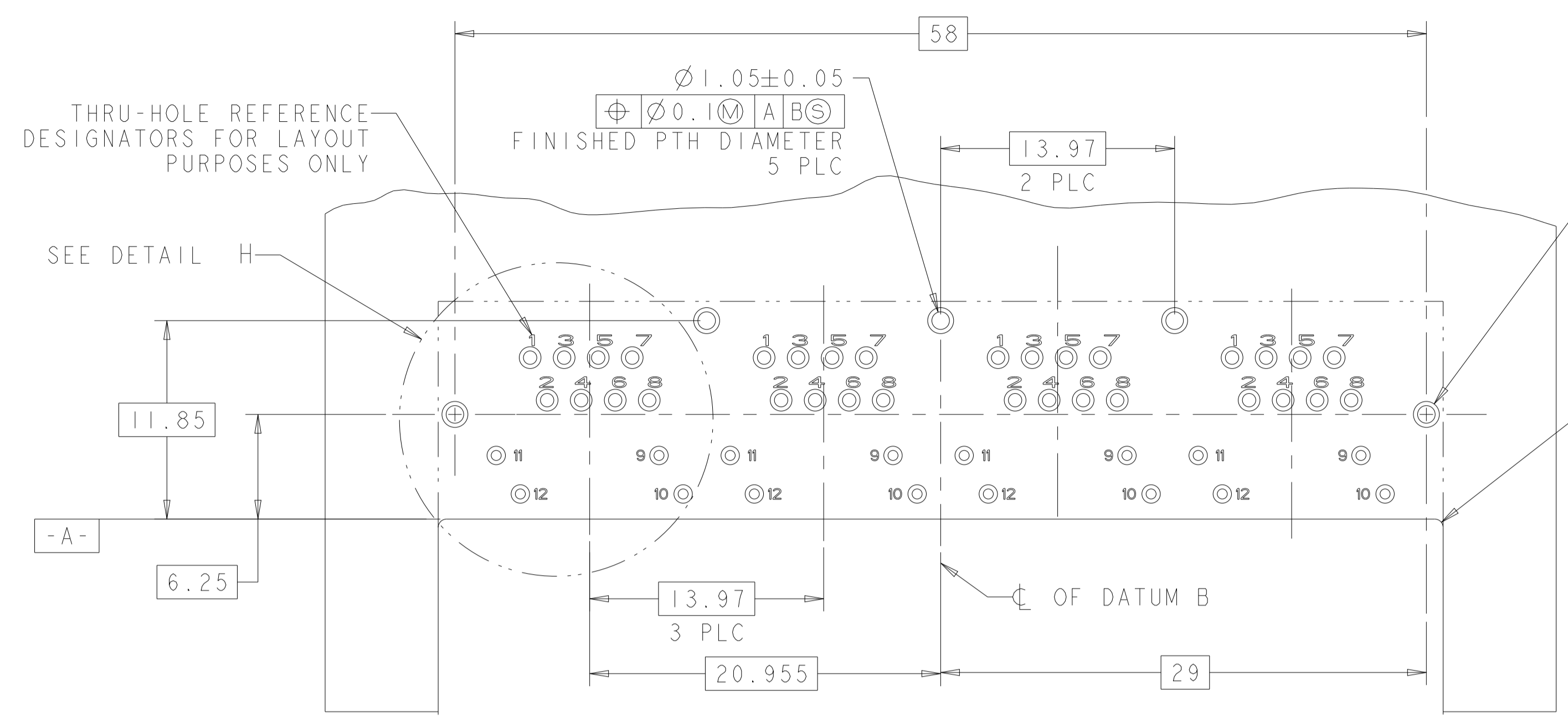
NAME: CONNECTOR ASSEMBLY, LOW PROFILE, PRESS FIT, MODULAR JACK, 1X4, RJ45

SIZE: A100779 CAGE CODE: 1888251 DRAWING NO: 114-13179
 WEIGHT: -

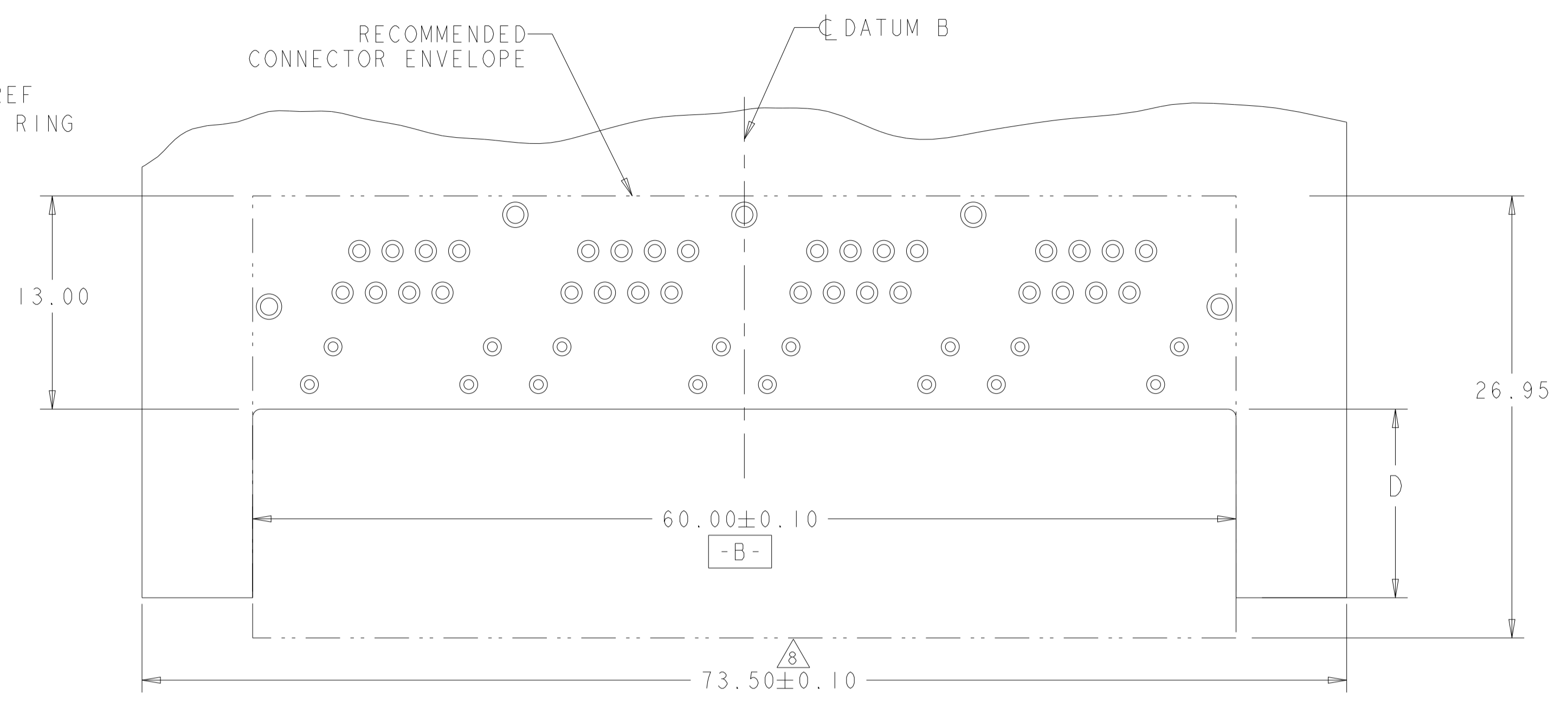
SCALE: 4:1 SHEET 1 OF 3 REV D1

LOC	DIST	REV	DATE	BY	APPV
AA	00				

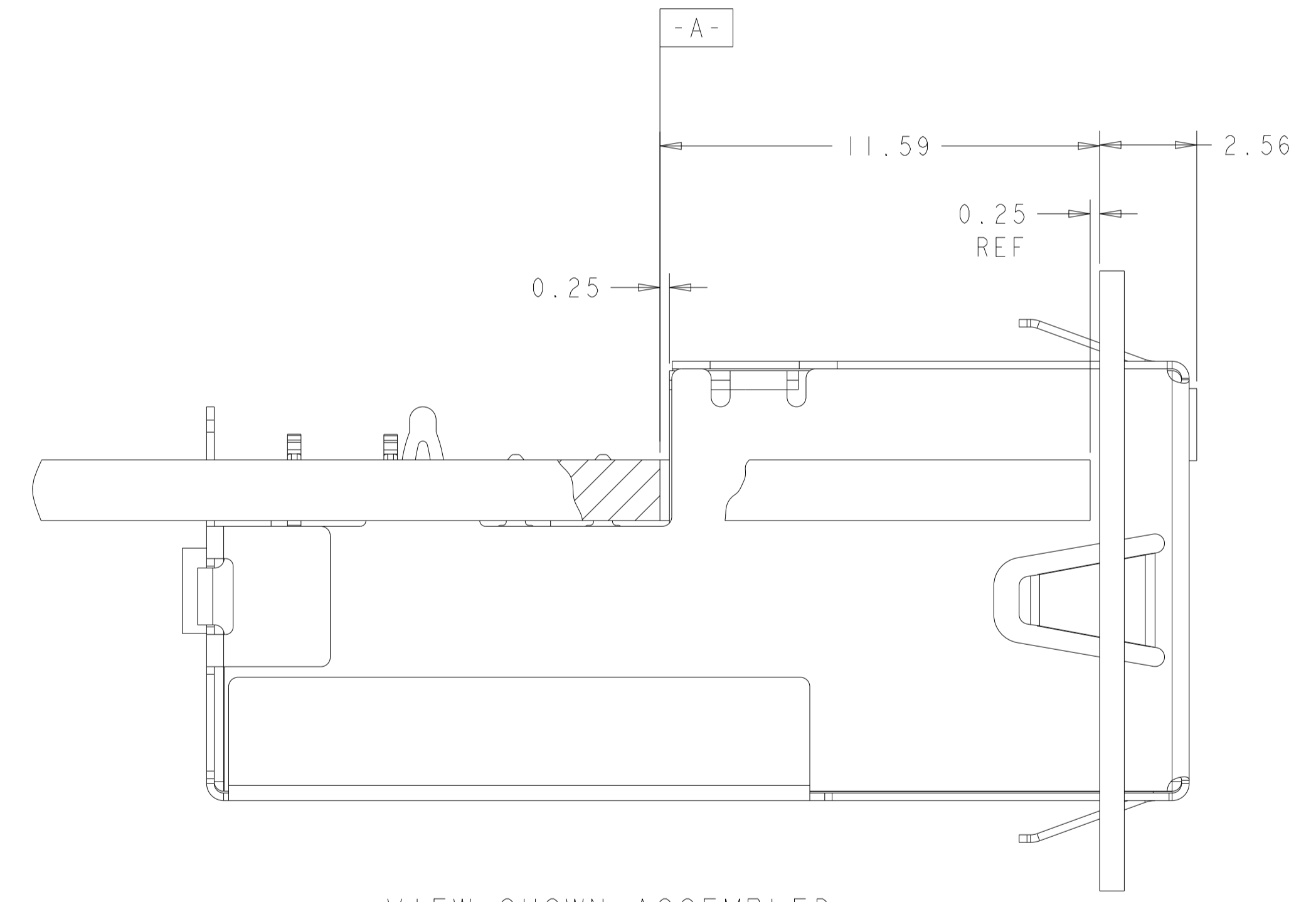
REVISIONS		DATE	BY	APPV
1	SEE SHEET 1			



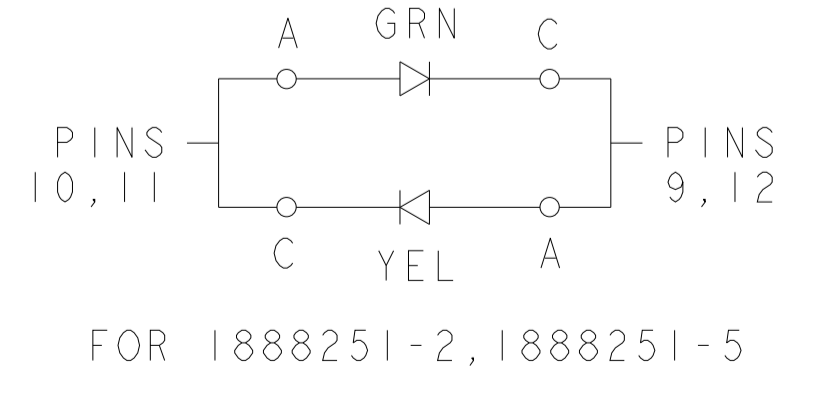
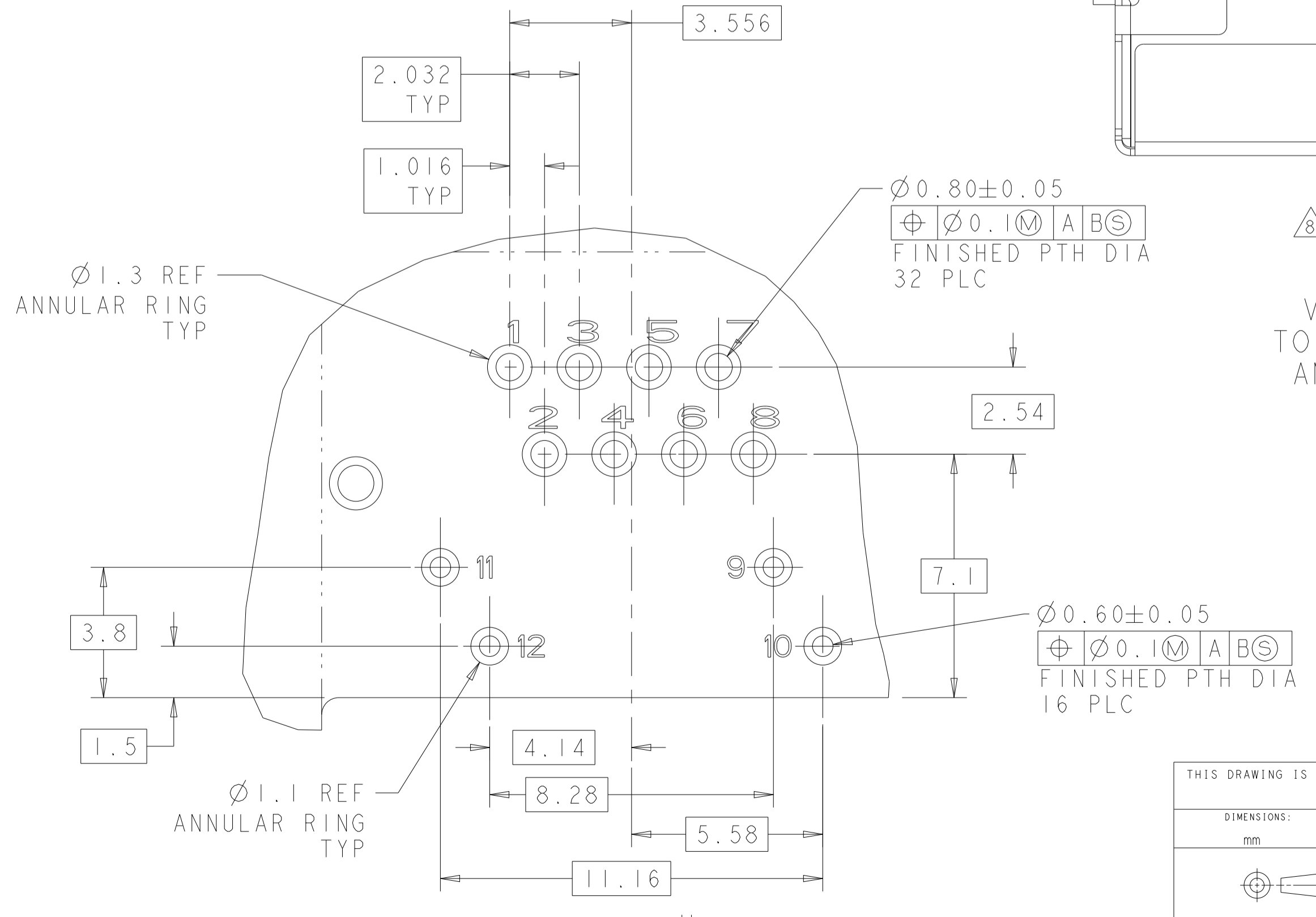
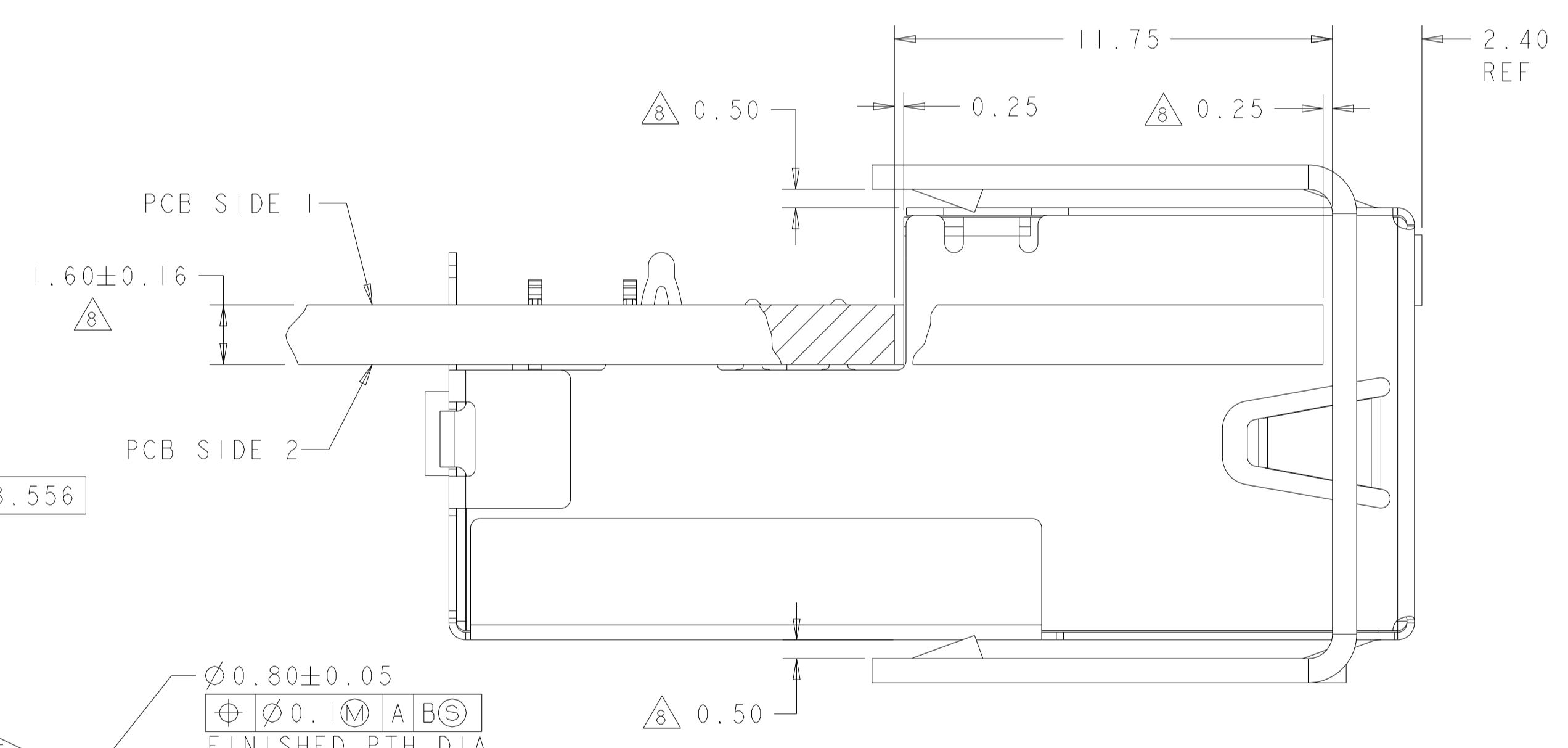
PCB SIDE 2



PCB SIDE 1



STANDARD FACE PLATE	11.34
AMC MODULE FACE PLATE	11.50
PCB CUTOUT	D



	PIN #	1888251-1	1888251-2 1888251-5 1888251-7 1888251-8	1888251-3	1888251-4
LED 1	9	CATHODE (-)	ANODE (YEL), CATHODE (GRN)	-	CATHODE (-)
	10	ANODE (+)	ANODE (GRN), CATHODE (YEL)	-	ANODE (+)
LED 2	11	ANODE (+)	ANODE (GRN), CATHODE (YEL)	-	ANODE (+)
	12	CATHODE (-)	ANODE (YEL), CATHODE (GRN)	-	CATHODE (-)

THIS DRAWING IS A CONTROLLED DOCUMENT.

OWN: M.E.S./L.A. MAYER 15FEB2008

CHK: J.WESTMAN 15FEB2008

APVD: S.FELCKINGER 15FEB2008

PRODUCT SPEC

APPLICATION SPEC

114-13179

WEIGHT

CUSTOMER DRAWING

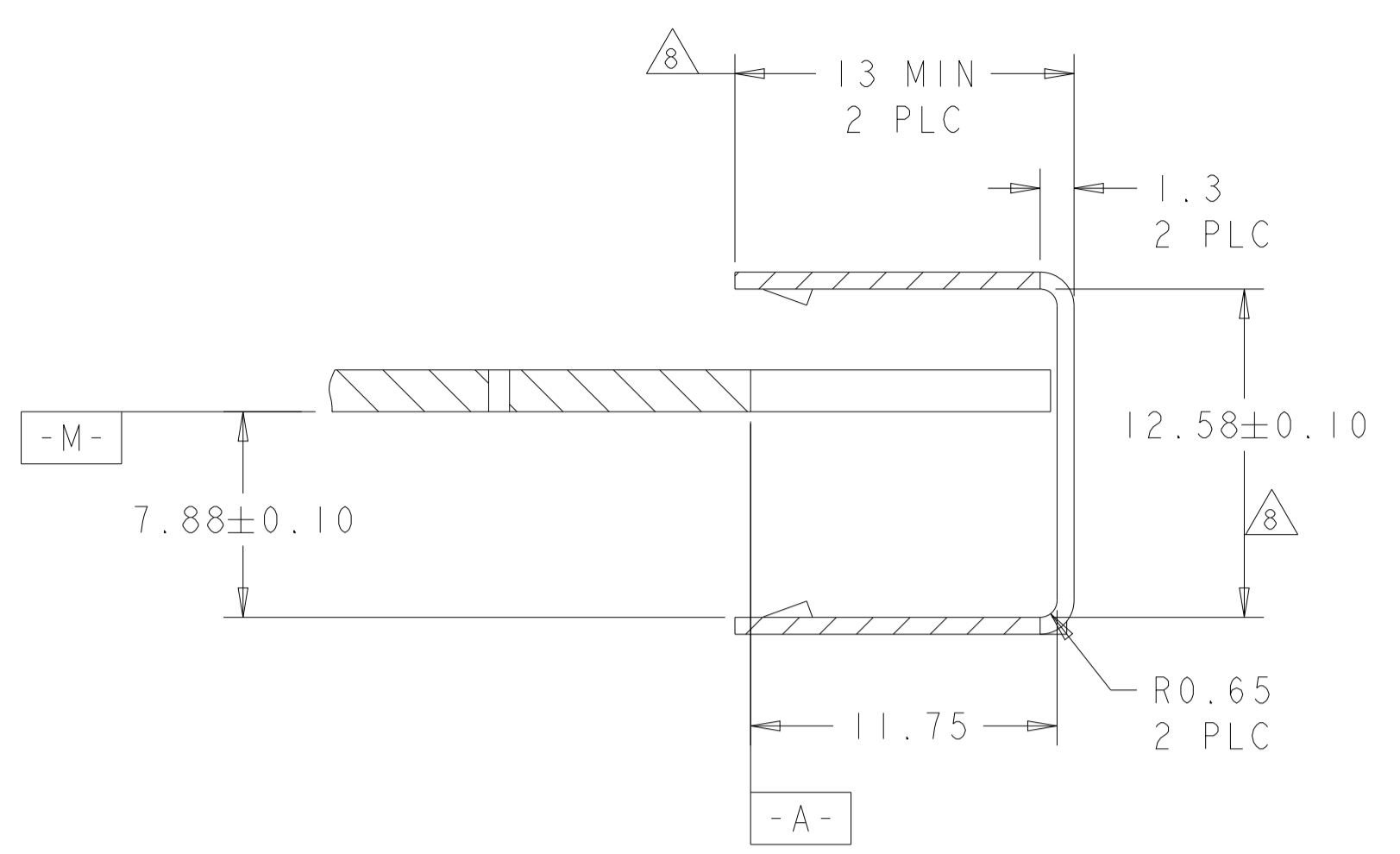
SCALE 4:1 SHEET 2 OF 3 REV D1

STE TE Connectivity

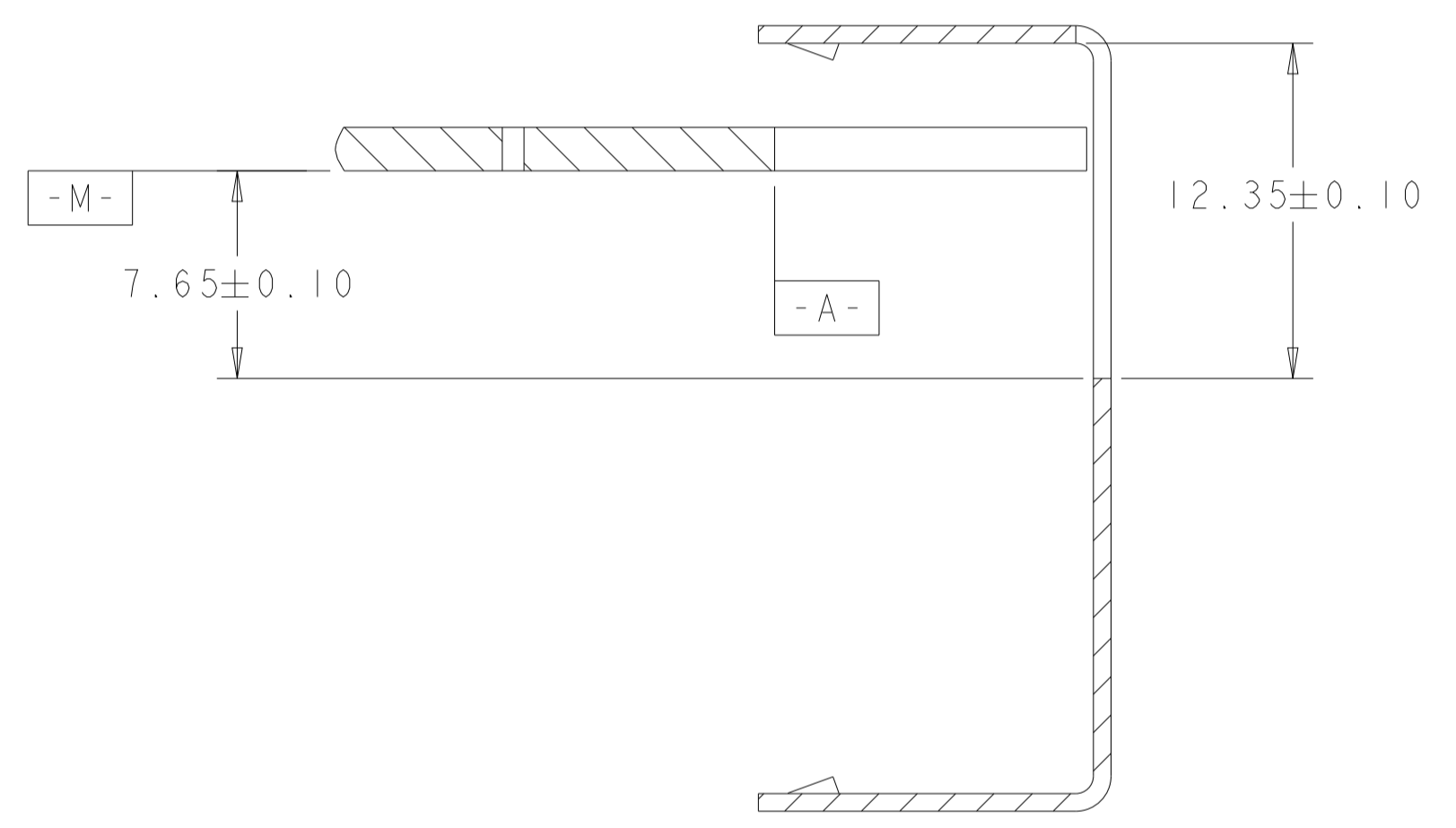
CONNECTOR ASSEMBLY, LOW PROFILE, PRESS FIT, MODULAR JACK, 1X4, RJ45

SIZE: A1 CAGE CODE: 100779 DRAWING NO: 1888251

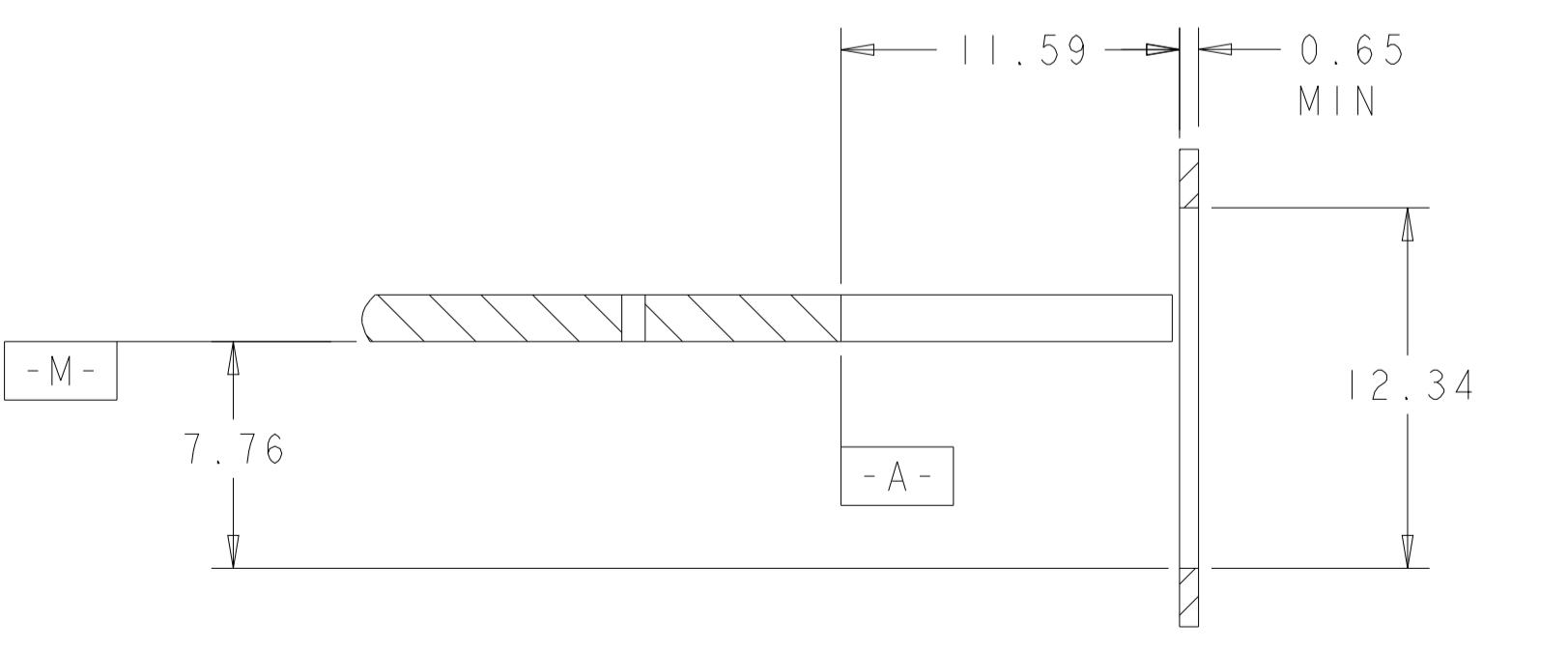
LOC		DIST		REVISIONS				
P	LTN	DATE	DMN	APVD	DESCRIPTION	DATE	DMN	APVD
-	-	-	-	-	SEE SHEET 1	-	-	-



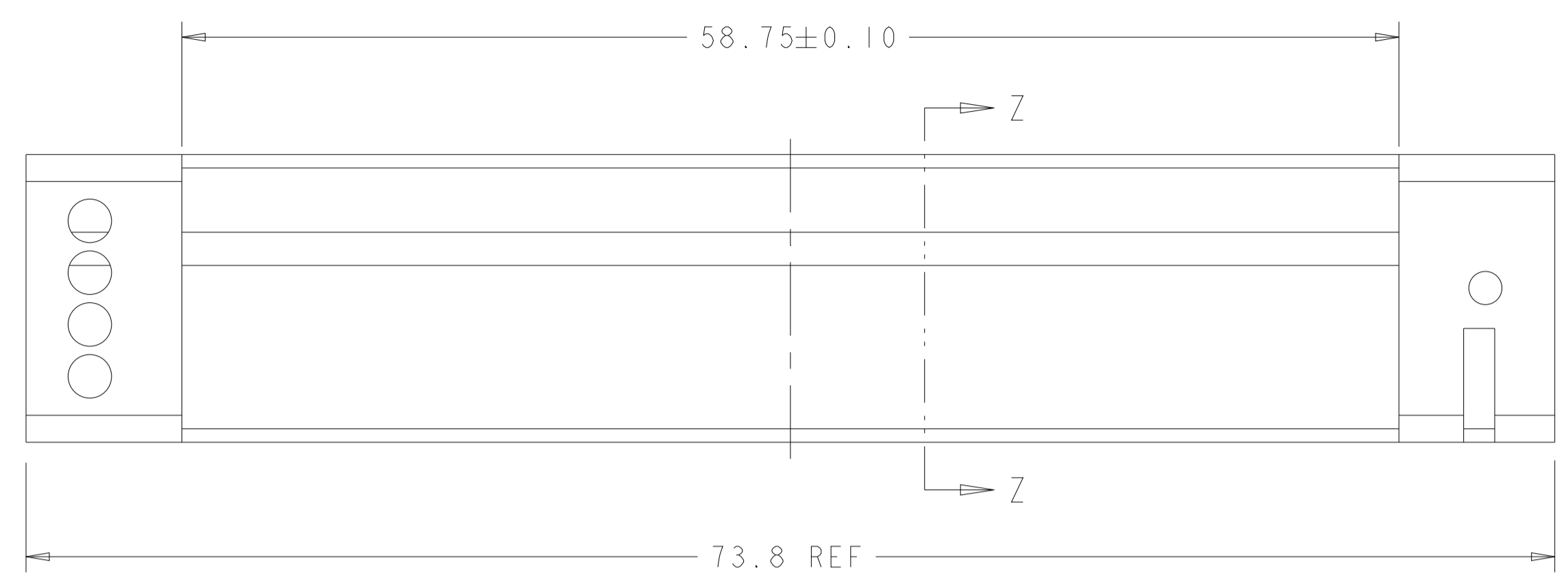
SECTION Z-Z



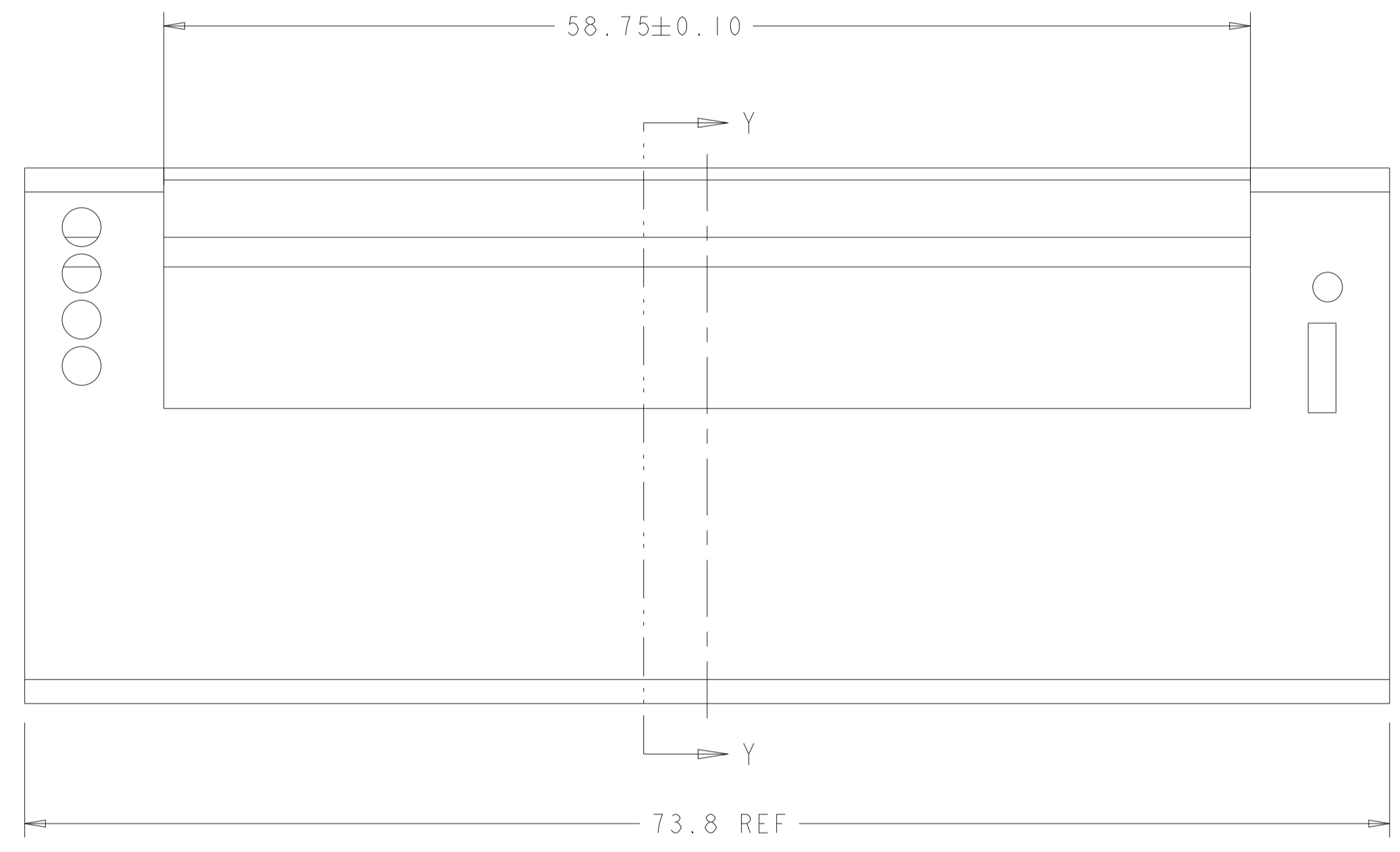
SECTION Y-Y



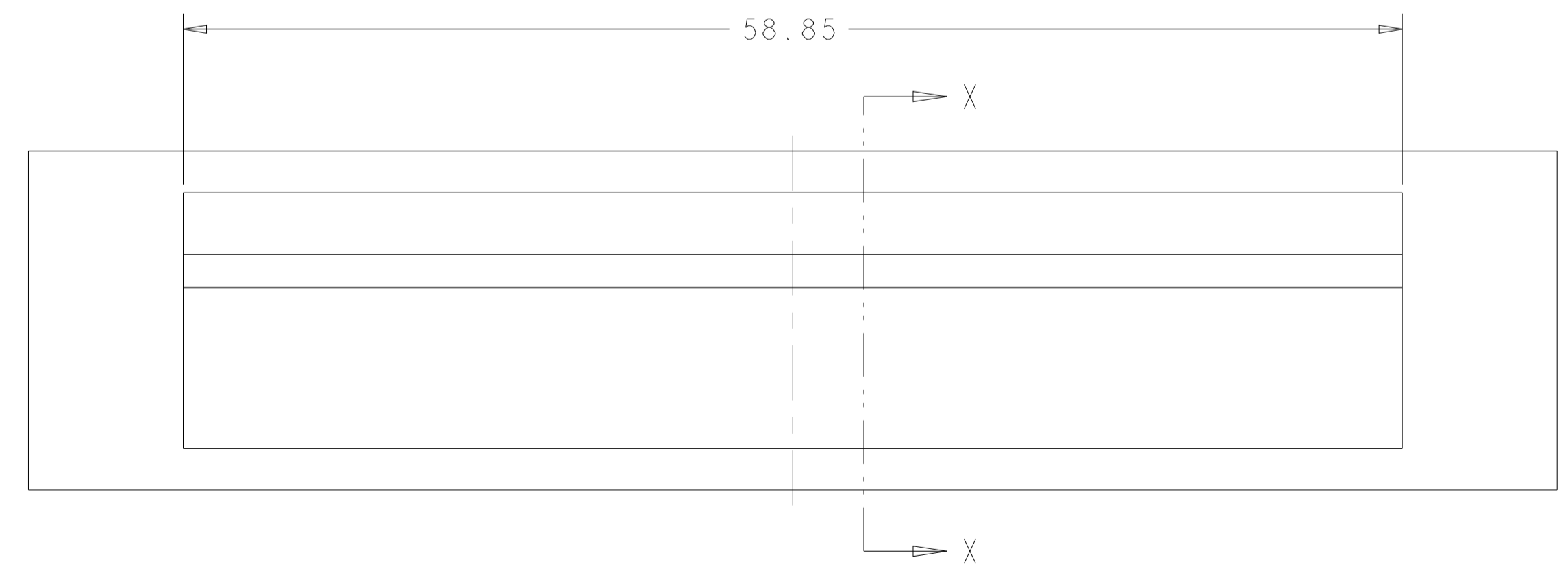
SECTION X-X



AMC SINGLE WIDTH, HALF HEIGHT MODULE FACE PLATE



AMC SINGLE WIDTH, FULL HEIGHT MODULE FACE PLATE



STANDARD FACE PLATE

THIS DRAWING IS A CONTROLLED DOCUMENT.		DMN	M. E. S. / L. A. WAYER	15FEB2008	TE Connectivity
DIMENSIONS:		CHK	J. WESTMAN	15FEB2008	
mm	0 PLC ±	TOLERANCES UNLESS OTHERWISE SPECIFIED:		APVD	S. FLICKINGER
	1 PLC ±			PRODUCT SPEC	
	2 PLC ±0.13			APPLICATION SPEC	
	3 PLC ±			114-13179	
	4 PLC ±			WEIGHT	
	ANGLES ±			114-13179	
	FINISH ±			CUSTOMER DRAWING	
MATERIAL	SEE NOTE 1	SIZE	A100779	CAGE CODE	C=1888251
		SCALE	4:1	SHEET	3 OF 3
		REV	D1		