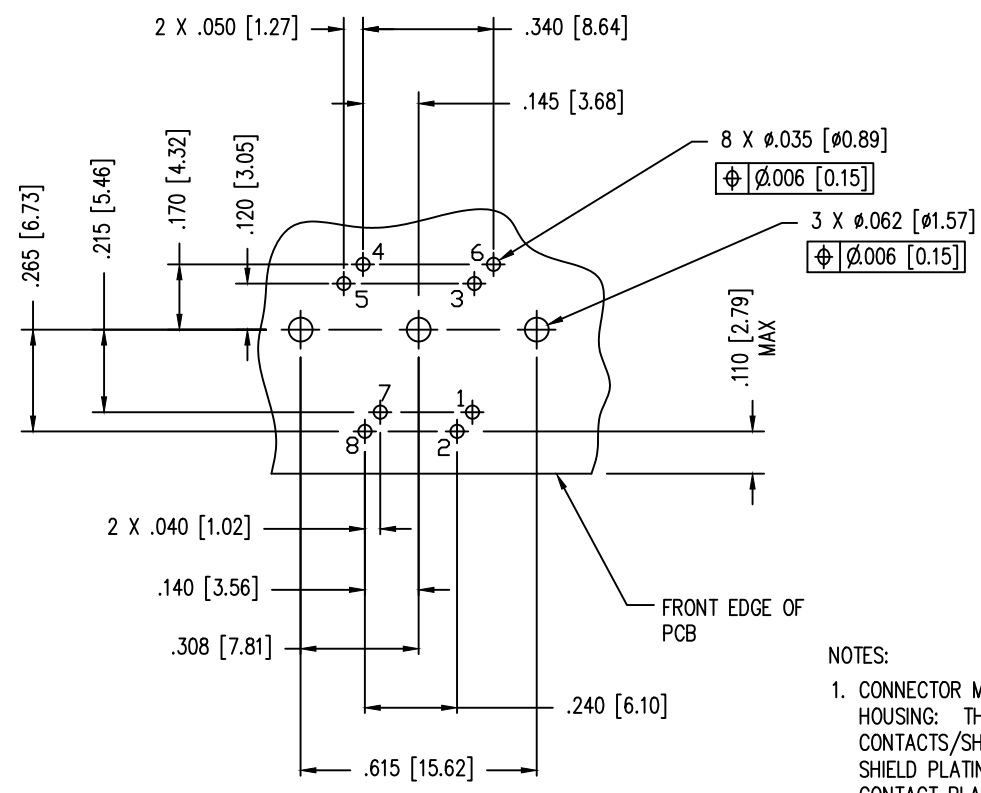
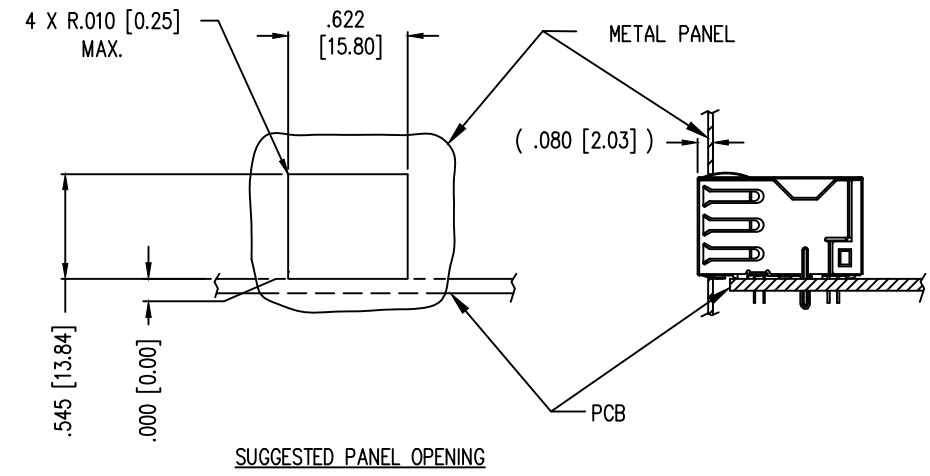
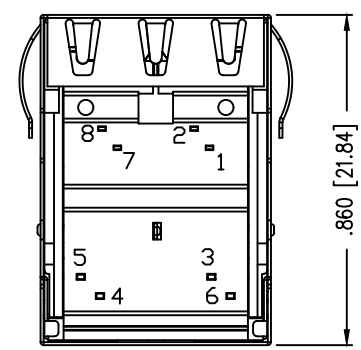
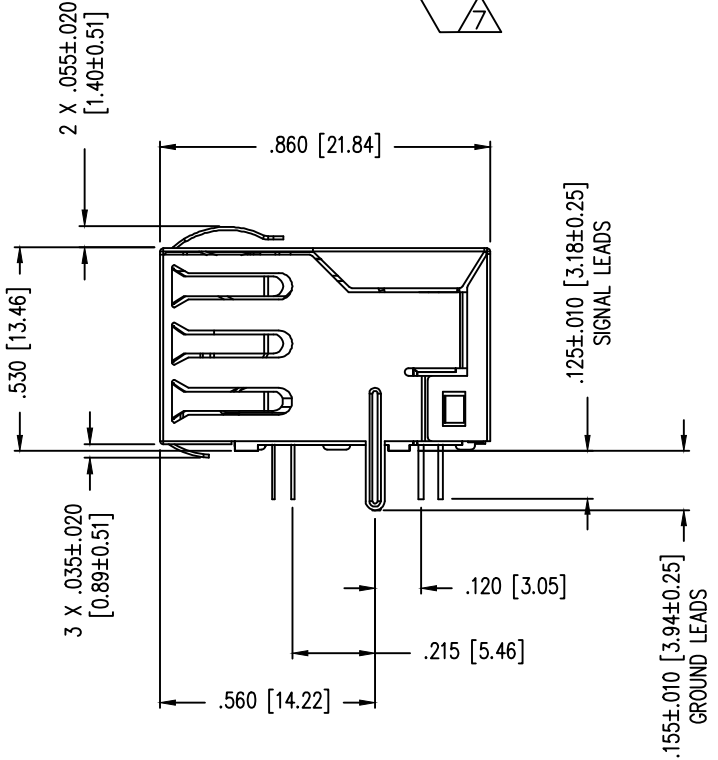
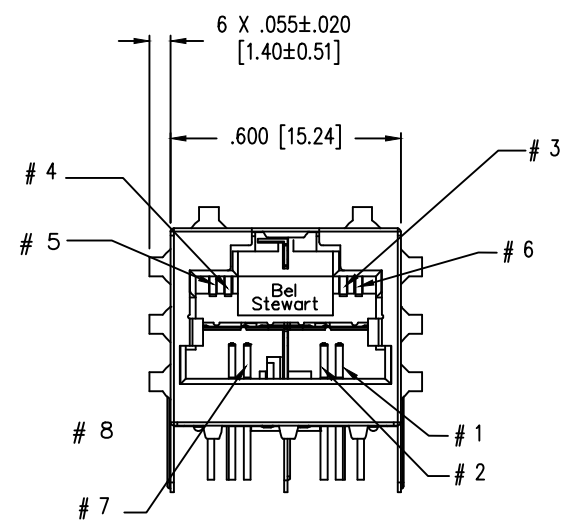


DATE	REV	ECN	APP'D. BY
2-16-16	C6	10547	TRM
2-27-17	C7	10919	TRM
6-2-23	C8	12187	JE
4-29-26	C9	12657	GWL



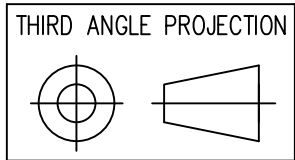
P.C.B. RECOMMENDED HOLE LAYOUT
SEEN FROM COMPONENT SIDE
ALL CENTERLINE DIMENSIONS ARE BASIC.

- NOTES:
- CONNECTOR MATERIALS:
HOUSING: THERMOPLASTIC UL94 V-0
CONTACTS/SHIELD: COPPER ALLOY
SHIELD PLATING: NICKEL OR TIN
CONTACT PLATING: SELECTIVE GOLD OR EQUIVALENT IN THE CONTACT AREA
SEE CHART FOR PART NUMBER
 - DESIGNED FOR CATEGORY 7A APPLICATIONS.
 - DIMENSIONS AND TOLERANCES COMPLY WITH TIA-1096 STANDARD.
 - THE SUGGESTED PANEL OPENING IS INTENDED TO GIVE USER THE ABILITY TO HAVE REASONABLE JACK/PANEL CLEARANCES, YET MAINTAIN GROUNDING CAPABILITY. THESE VARIABLES CAN BE ADJUSTED IN EITHER DIRECTION BUT MAY CARRY SOME CONSEQUENCES IN THE FORM OF LOWER MATING FORCES OR TIGHTER ASSEMBLY TOLERANCES.
 - IR REFLOW COMPATIBLE FOR 260°C
 - FOR PRODUCT SPECIFICATION SEE PR022-01
 - LOGO, PART NUMBER AND DATE CODE LOCATED APROX. IN THIS AREA.



50 MICRO-INCHES [1.27um]	SS-77100-004
CONTACT PLATING IN MATING AREA	PART NUMBER

PATENTED



1422 6th AVENUE
YORK, PA 17403
(717) 235-7512
<http://www.Cinch.com>

DO NOT SCALE DRAWING DRAWING IS SUBJECT TO CHANGE WITHOUT NOTICE	TITLE: ARJ45 HS (HIGH SPEED) CATEGORY 7A PANEL GROUND SHIELDED JACK	
DIMENSIONS: INCHES [METRIC]	DRN BY: DHG	DATE 12-05-06
UNLESS OTHERWISE SPECIFIED TOLERANCES ARE ±.005 [0.13] ANGLES ARE ± 1°	APPD BY: TRM	DATE 12-06-06
SHEET NO. 1 OF 1	DWG NO. CT770003	REV. C9
THIS DRAWING AND THE SUBJECT MATTER SHOWN THEREON ARE CONFIDENTIAL AND THE PROPRIETARY PROPERTY OF STEWART CONNECTOR AND SHALL NOT BE REPRODUCED, COPIED, OR USED IN ANY MANNER WITHOUT PRIOR WRITTEN CONSENT OF STEWART CONNECTOR. ONE OR MORE U.S. PATENTS MAY APPLY TO THIS PRODUCT. FOR DETAILS, PLEASE VISIT: HTTP://BELFUSE.COM/STEWART/STEWART_PATENTS/		