

This document is the property of Amphenol Corporation and is delivered on the express condition that is not to be disclosed, reproduced or used, in whole or in part, for manufacture or sale by anyone other than Amphenol Corporation without its prior consent, and that no right is granted to disclose or to use any information in this document.

The marking on this product doesn't contain environmental hazardous materials per Material Specification 55-00259 for Sony GP compliant or per directive 2011/65/EU for RoHS compliant.



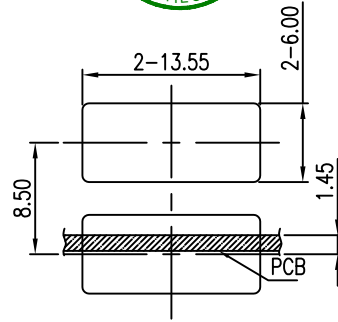
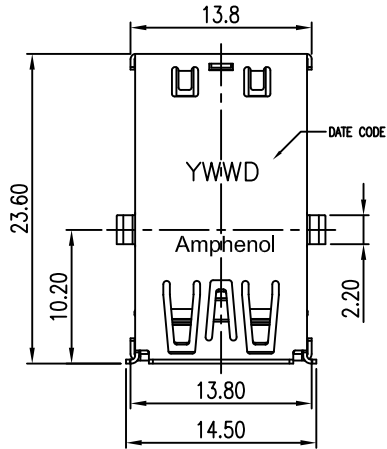
ORIGINAL



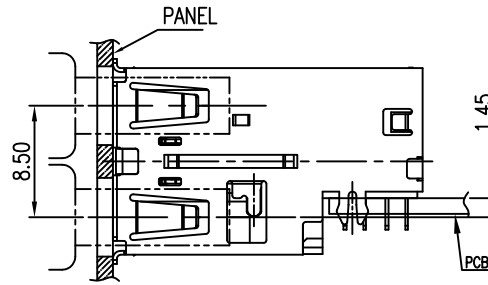
REVISIONS				
SYM	ECN No.	DESCRIPTION	DATE	APPROVED
A	NE-14090	RELEASE TO PRODUCTION	06/13/2014	Arron Lin
B	NE-14185	ADDED T&R PACKING	10/17/2014	Arron Lin
C	NE-16082	ADDED RECOMMEND PANEL CUTOUT	04/15/2016	Arron Lin
D	NE-17120	UPDATE HOUSING/ DC AND ADD PIN ASSIGNMENT	06/12/2017	Arron Lin

NOTES:

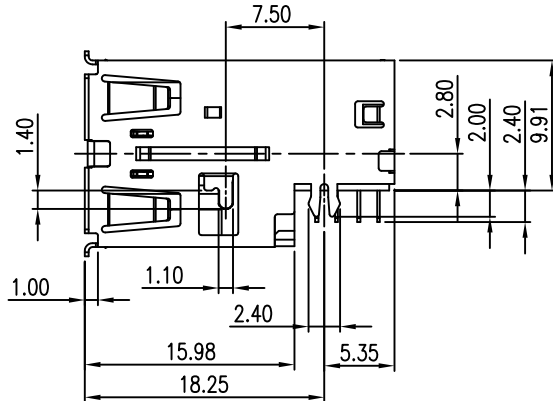
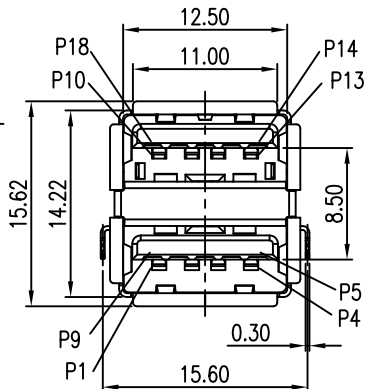
- MATERIAL:
HOUSING: THERMOPLASTIC , OPTIONS, UL94V-0, COLOR: OPTIONS.
USB 3.0 TERMINAL(5~9/14~18PIN): BRASS.
USB 2.0 TERMINAL(1~4/10~13PIN): PHOSPHOR BRONZE,
SHELL:SUS301
ISOLATED: SK7.
REAR SHELL: SK7
- FINISH:
TERMINAL:
CONTACT AREA: SELECTIVE GOLD PLATING ;
SOLDERING AREA: MATTE TIN PLATING 100 μ" THICKNESS MIN.;
UNDER PLATING: NICKEL PLATING 50 μ" THICKNESS MIN.OVERALL
SHELL:
NICKEL PLATING 50 μ" THICKNESS MIN.OVERALL
ISOLATED:
NICKEL PLATING 50 μ" THICKNESS MIN.OVERALL
REAR SHELL:
NICKEL PLATING 50 μ" THICKNESS MIN.OVERALL
- PRODUCT SPECIFICATION REFER TO : PS-7425.
- THIS PRODUCT DOESN'T CONTAIN ENVIRONMENTAL HAZARDOUS PER DIRECTIVE 2011/65/EU FOR RoHS COMPLIANT.



RECOMMEND PANEL CUTOUT



RECOMMEND MOUNTING CONFIGURATION

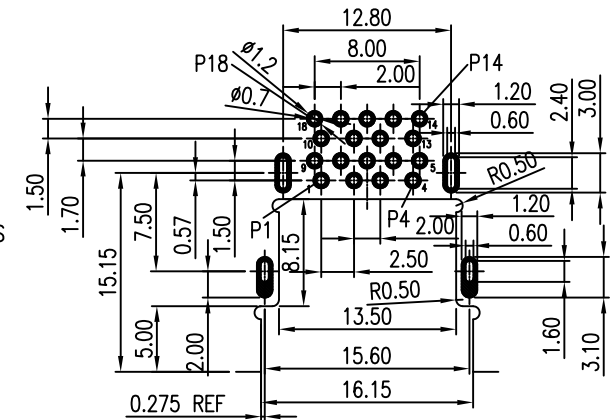


P/N: GSB3115 X X F X HR

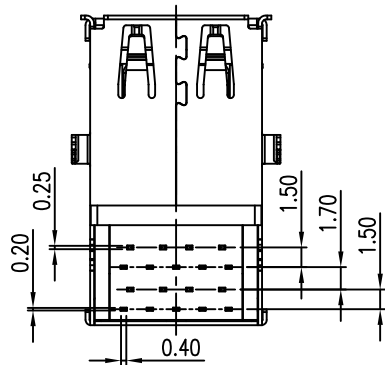
CONTACT FINISH:
1: FLASH GOLD
2: 15u" GOLD
3: 30u" GOLD

PACKING OPTIONS
BLANK: TRAY
R: T&R

INSULATOR
7: PA4T (BLUE)
8: PA4T (BLACK)



RECOMMENDED P.C.B LAYOUT
TOLERANCE: ±0.05(TOP VIEWS)



Pin Number	Signal Name
1,10	VBUS
2,11	D-
3,12	D+
4,13	GND
5,14	SSRX-
6,15	SSRX+
7,16	GND_DRAIN
8,17	SSTX-
9,18	SSTX+
Shell	Shield

PIN ASSIGNMENT

TOLERANCE	APPROVALS	DATE	TITLE	Amphenol®	
X. X.X ±0.30 X.XX ±0.20 X.XXX ±0.10	DRAWN Debby Hung	06/12/2017	USB 3.0 TYPE A CONN. STACKED PORTS R/A SINK DIP TYPE	Amphenol Corporation Amphenol Taiwan Corporation	
ANGULAR ±1°	CHECKED Sandy Wu	06/12/2017		UNIT mm	SIZE A3
UNLESS OTHERWISE SPECIFIED	APPROVED Arron Lin	06/12/2017		SCALE NA	SHEET 1 OF 3
	DWG TYPE CUST DWG	PROJECT CODE OTHER		PART No. GSB3115XXFXHR	DWG No. GSB3115XXFXHR
				REV. D	

This document is the property of Amphenol Corporation and is delivered on the express condition that is not to be disclosed, reproduced or used, in whole or in part, for manufacture or sale by anyone other than Amphenol Corporation without its prior consent, and that no right is granted to disclose or to use any information in this document.

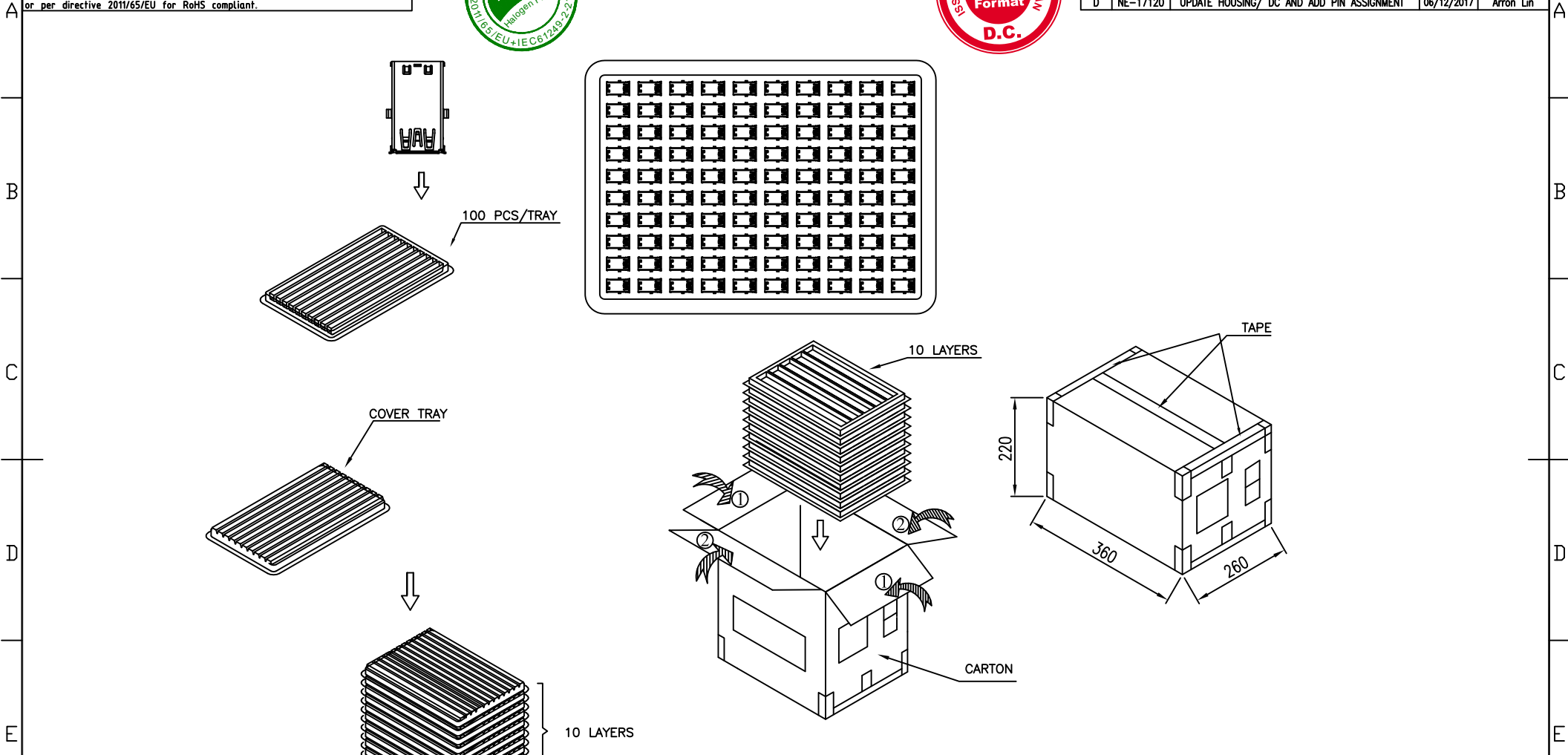
The marking on this product doesn't contain environmental hazardous materials per Material Specification 55-00259 for Sony GP compliant or per directive 2011/65/EU for RoHS compliant.



ORIGINAL



REVISIONS				
SYM	ECN No.	DESCRIPTION	DATE	APPROVED
A	NE-14090	RELEASE TO PRODUCTION	05/13/2014	Arron Lin
B	NE-14185	ADDED T&R PACKING	10/17/2014	Arron Lin
C	NE-16082	ADDED RECOMMEND PANEL CUTOUT	04/15/2016	Arron Lin
D	NE-17120	UPDATE HOUSING/ DC AND ADD PIN ASSIGNMENT	06/12/2017	Arron Lin



PACKAGING BY TRAY	7.58	6.58	100	10	1000	GSB3115XXFHR
	G/W KG	N/W KG	PCS/TRAY	TRAYS/BOX	QUANTITY (PCS)	PART NUMBER

TOLERANCE	APPROVALS	DATE	TITLE		PART No.	
X. ±0.30	DRAWN Debby Hung	06/12/2017	USB 3.0 TYPE A CONN. STACKED PORTS R/A SINK DIP TYPE		Amphenol® Amphenol Corporation Amphenol Taiwan Corporation	
X.X ±0.20	CHECKED Sandy Wu	06/12/2017				
X.XXX ±0.10	APPROVED Arron Lin	06/12/2017				
ANGULAR ±1°	DWG TYPE CUST DWG	PROJECT CODE OTHER		UNIT mm	SIZE A3	PART No. GSB3115XXFXHR
UNLESS OTHERWISE SPECIFIED				SCALE NA	SHEET 2 OF 3	DWG No. GSB3115XXFXHR
						REV. D

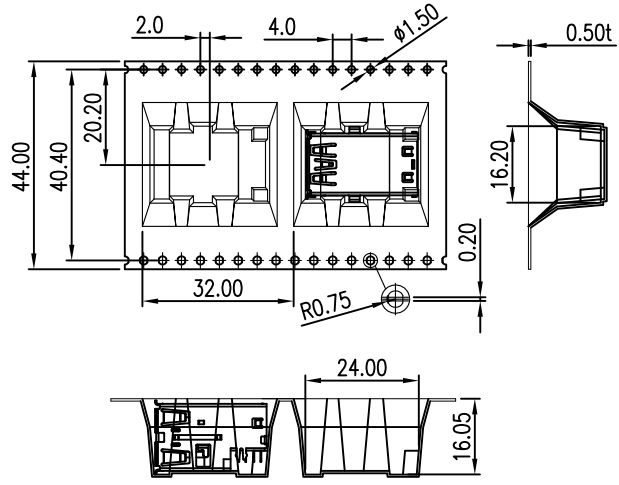
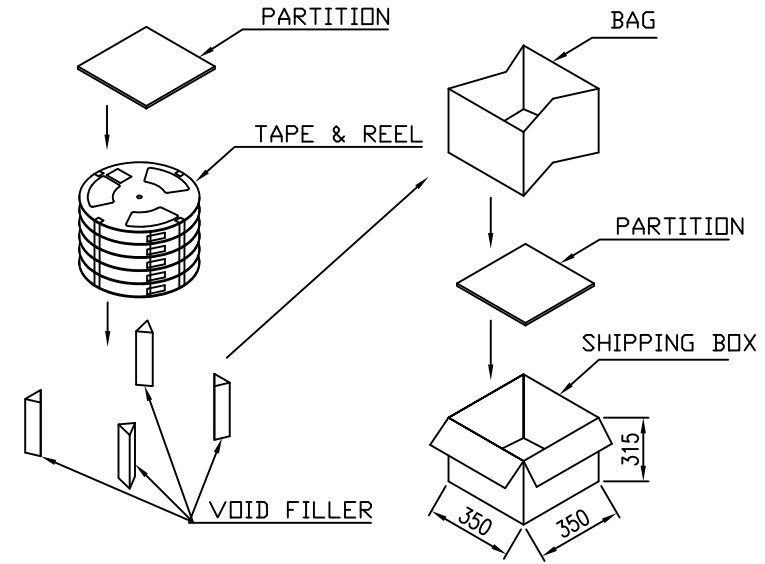
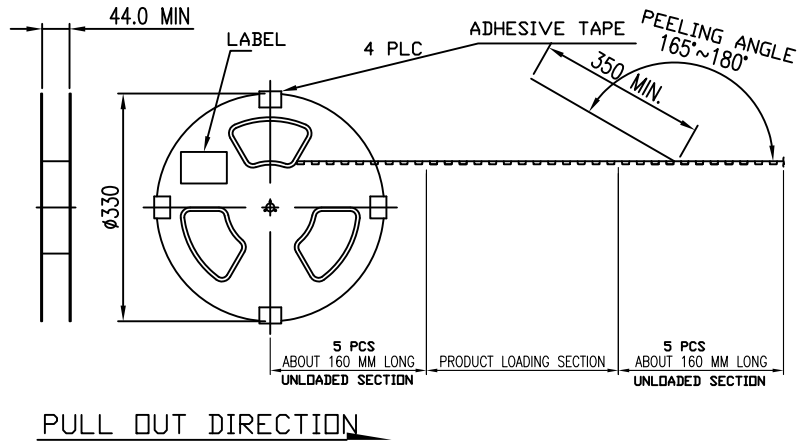
This document is the property of Amphenol Corporation and is delivered on the express condition that is not to be disclosed, reproduced or used, in whole or in part, for manufacture or sale by anyone other than Amphenol Corporation without its prior consent, and that no right is granted to disclose or to use any information in this document.
The marking on this product doesn't contain environmental hazardous materials per Material Specification 55-00259 for Sony GP compliant or per directive 2011/65/EU for RoHS compliant.



ORIGINAL



REVISIONS				
SYM	ECN No.	DESCRIPTION	DATE	APPROVED
A	NE-14090	RELEASE TO PRODUCTION	05/13/2014	Arron Lin
B	NE-14185	ADDED T&R PACKING	10/17/2014	Arron Lin
C	NE-16082	ADDED RECOMMEND PANEL CUTOUT	04/15/2016	Arron Lin
D	NE-17120	UPDATE HOUSING/ DC AND ADD PIN ASSIGNMENT	06/12/2017	Arron Lin



- NOTES:
- MATERIAL:
CARRIER TAPE: PS.
COVER TAPE: PET.
REEL: PS.
SHIPPING BOX: CORRUGATED FIBERBOARD.
 - DIMENSION:
REEL: $\phi = 330$.
SHIPPING BOX: L=350, W=350, H=315.
 - QUANTITY: SEE TABLE.
 - SHIPPING BOX WEIGHT: SEE TABLE.
 - PEELING STRENGTH: 0.1~1.3N(10~130 GRAMS)
 - PEELING SPEED: 300mm/min.

PACKAGING BY TAPE&REEL	6.24	4.74	120	6	720	GSB3115XXFHR
	G/W KG	N/W KG	PCS/ REEL	REELS/ CARTON	QUANTITY (PCS)	PART NUMBER

TOLERANCE	APPROVALS	DATE	TITLE	PART No.	
X. ±0.30	DRAWN Debby Hung	06/12/2017	USB 3.0 TYPE A CONN. STACKED PORTS R/A SINK DIP TYPE	Amphenol® Amphenol Corporation Amphenol Taiwan Corporation	
X.X ±0.20	CHECKED Sandy Wu	06/12/2017		PART No. GSB3115XXFXHR	
X.XX ±0.10	APPROVED Arron Lin	06/12/2017	UNIT mm	SIZE A3	DWG No. GSB3115XXFXHR
ANGULAR ±1°	DWG TYPE CUST DWG	PROJECT CODE OTHER	SCALE NA	SHEET 3 OF 3	
UNLESS OTHERWISE SPECIFIED					