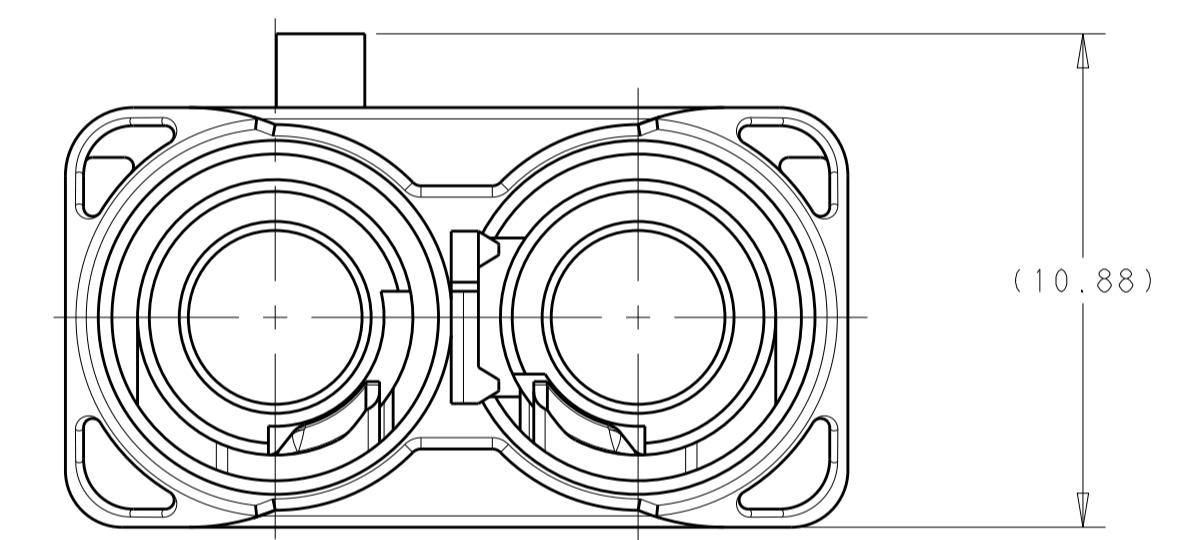
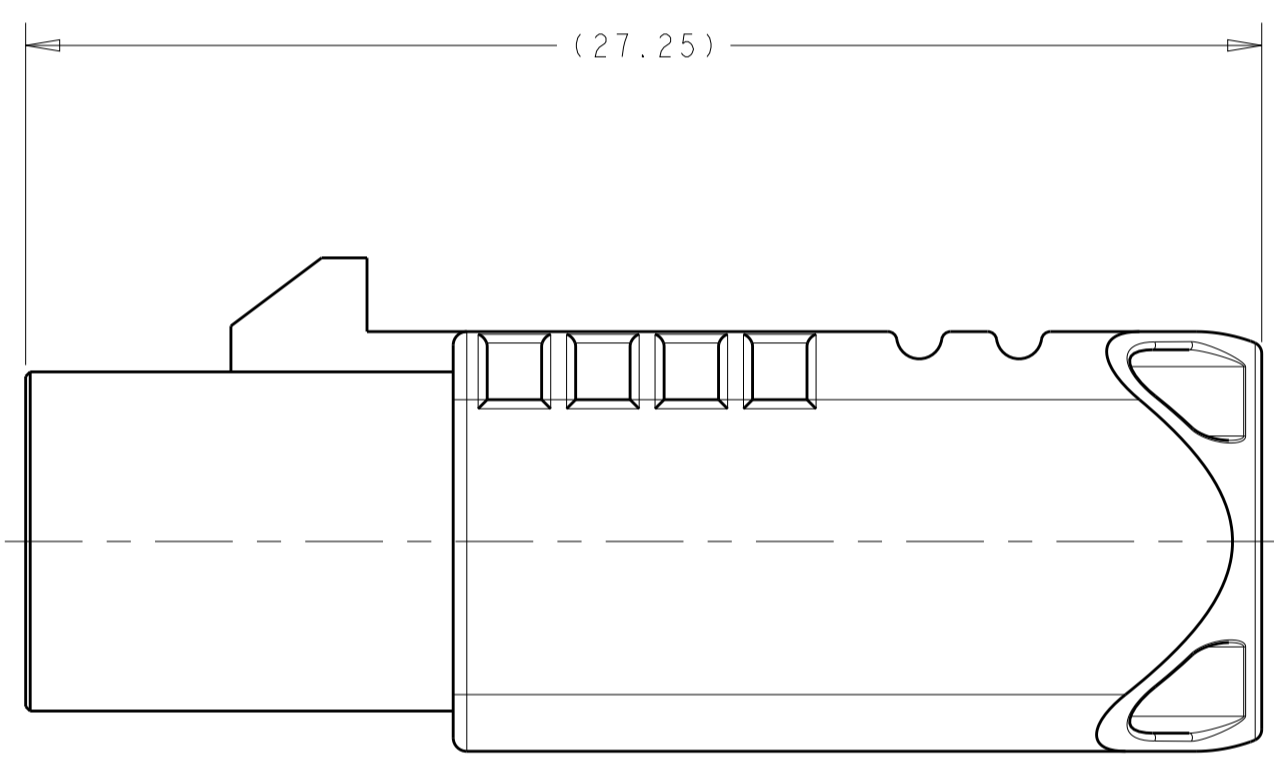
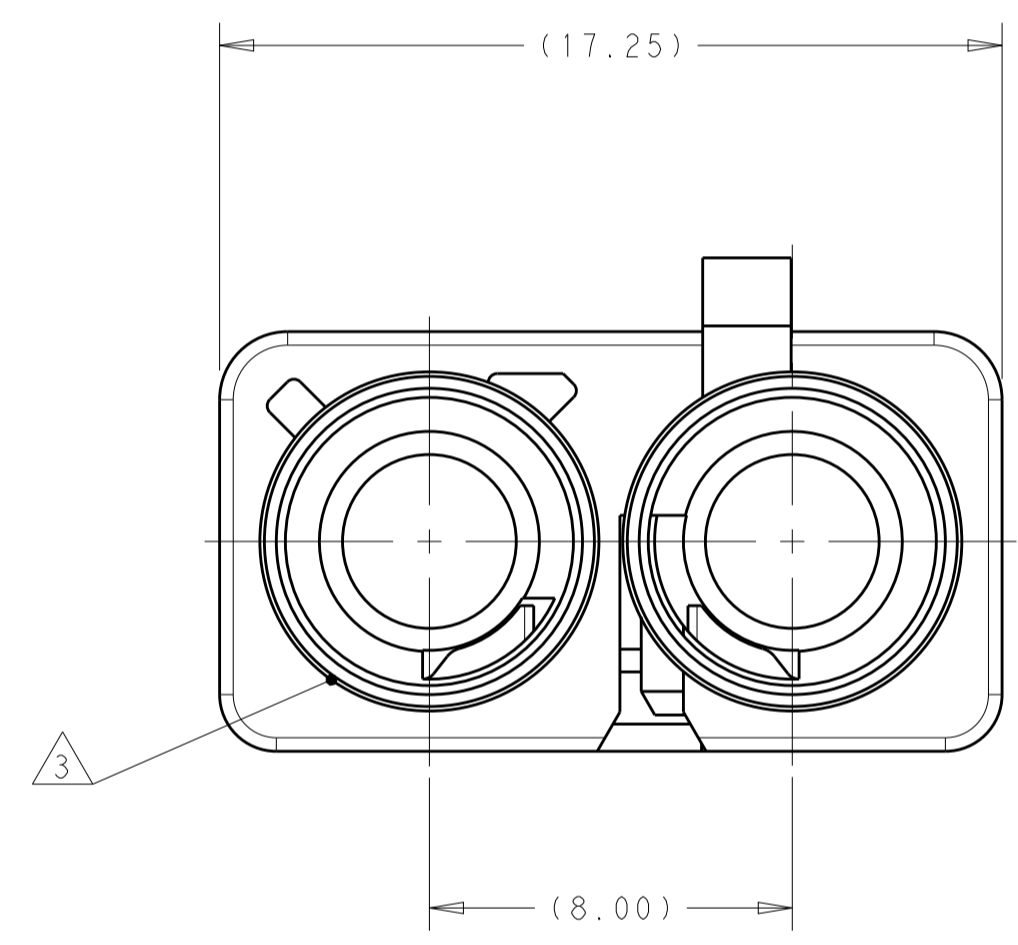
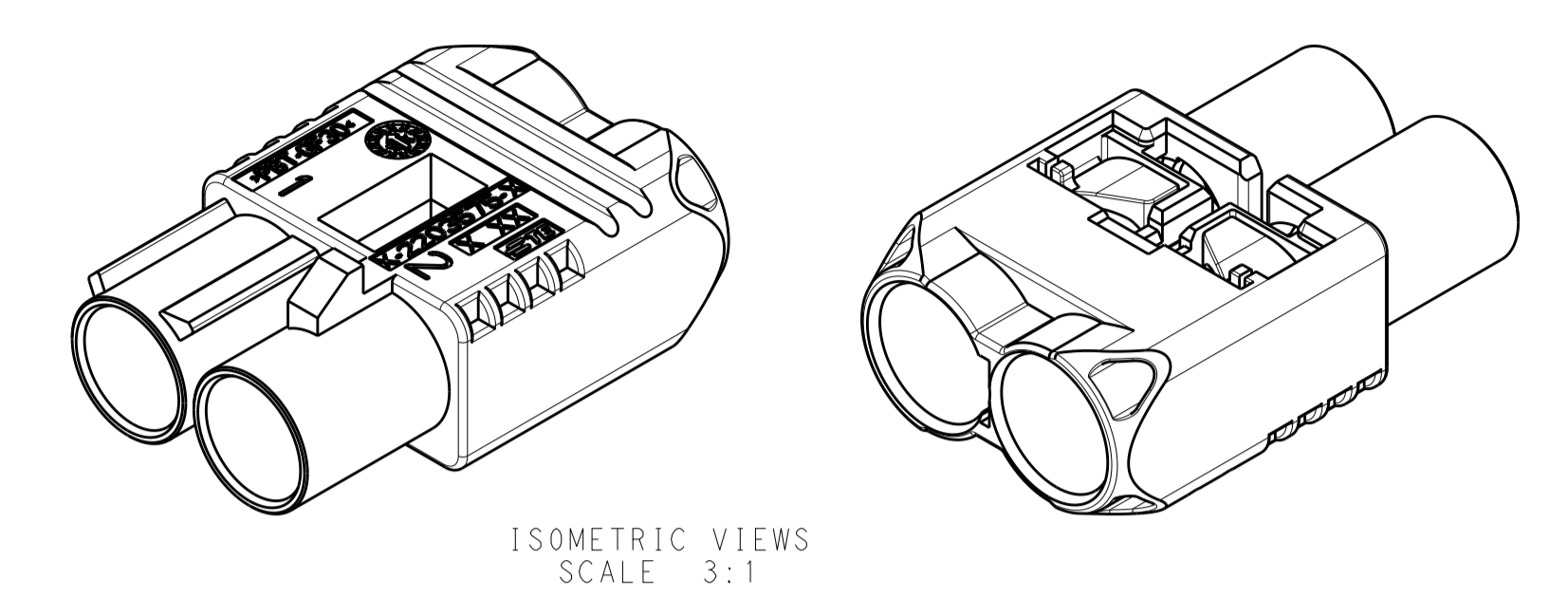
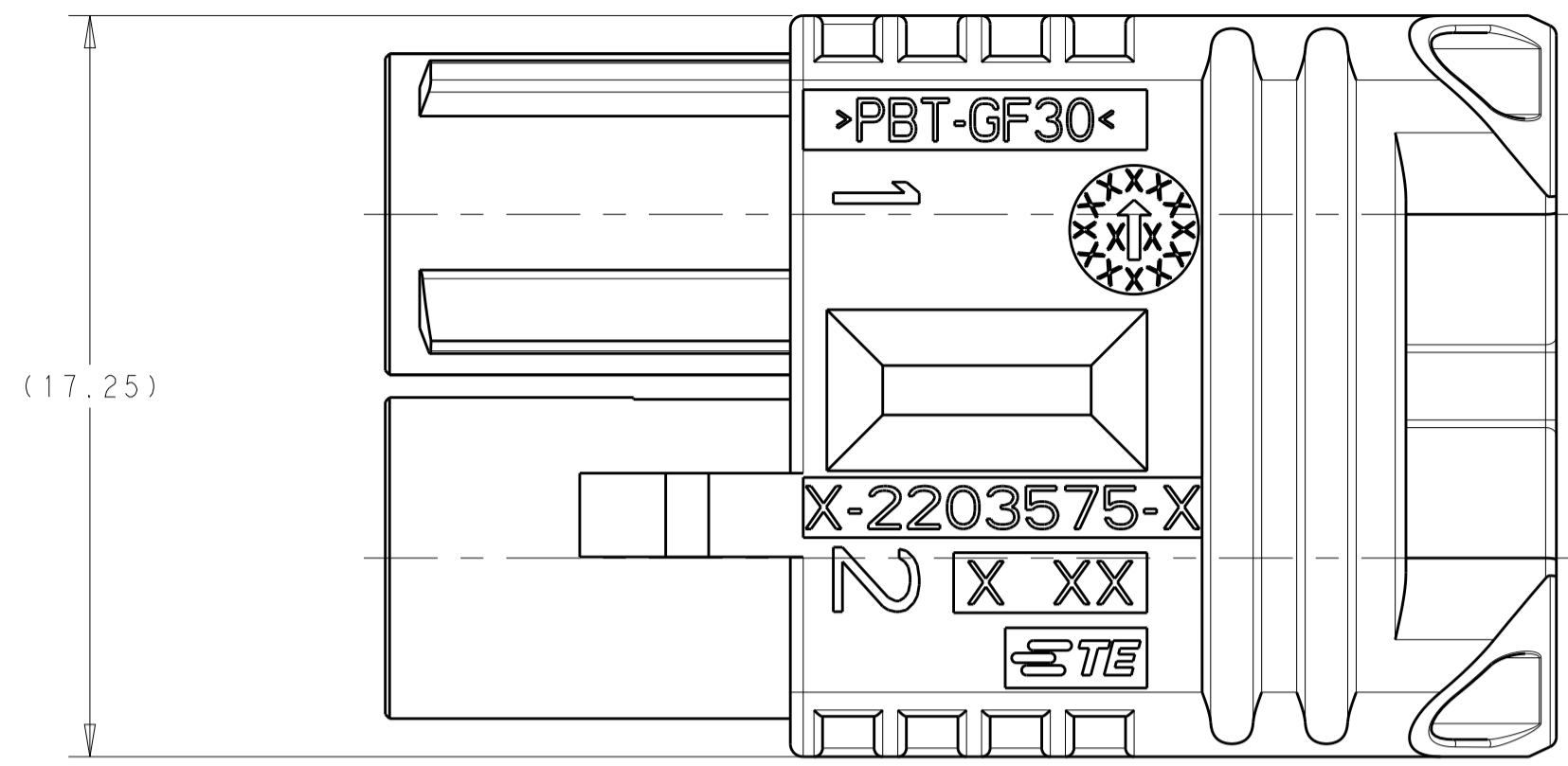


REVISIONS				
P.	LTN	DESCRIPTION	DATE	APPROV
1		INITIAL DRAWING.	26APR2017	JAB ERL



Z	PER DETAIL Z	WATER BLUE	2-2203575-0
N	PER DETAIL N	PASTEL GREEN	1-2203575-3
M	PER DETAIL M	PASTEL ORANGE	1-2203575-2
L	PER DETAIL L	CARMINE RED	1-2203575-1
K	PER DETAIL K	CURRY	1-2203575-0
I	PER DETAIL I	BEIGE	2203575-9
H	PER DETAIL H	HEATHER VIOLET	2203575-8
G	PER DETAIL G	BLUE GREY	2203575-7
F	PER DETAIL F	NUT BROWN	2203575-6
E	PER DETAIL E	LEAF GREEN	2203575-5
D	PER DETAIL D	CLARET VIOLET	2203575-4
C	PER DETAIL C	SIGNAL BLUE	2203575-3
B	PER DETAIL B	CREAM	2203575-2
A	PER DETAIL A	JET BLACK	2203575-1
KEY CODE	KEYING	CODING COLOR	PART NUMBER

- 1. 2203575-1 AS SHOWN.
- 2 MATERIAL, POLYESTER PBT, COLOR SEE TABLE.
- 3 MALE INTERFACE PER ISO-20860-1, ISO-20860-2, SAE/USCAR-17, SAE/USCAR-18.

THIS DRAWING IS A CONTROLLED DOCUMENT.

OWN	J. A. BAKER	26APR2017
CHK	F. R. LOVE	18JUL2017
APPV	F. R. LOVE	18JUL2017

STE CONNECTIVITY

**PRELIMINARY**

PRODUCT SPEC: MALE HOUSING, 2 POSITION, 8.0mm CENTERLINE, 180 DEGREE, FAKRA

APPLICATION SPEC: 108-32137

SIZE: 114-32145

WEIGHT: -

CAGE CODE: A1

DRAWING NO: C=2203575

CUSTOMER DRAWING

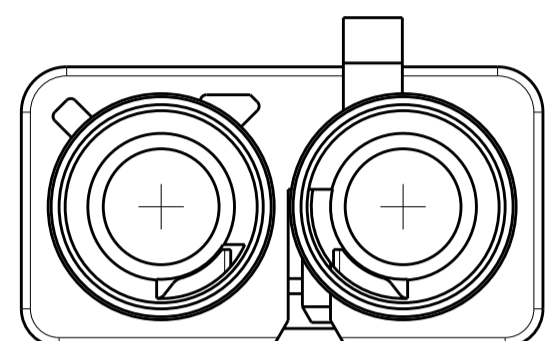
SCALE: 6:1

SHEET 1 OF 2

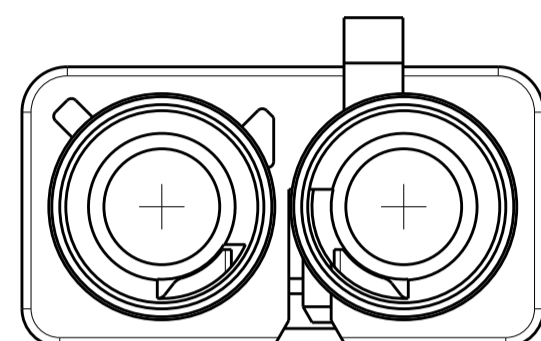
REV A

THIS DRAWING IS UNPUBLISHED. RELEASED FOR PUBLICATION. COPYRIGHT copyright\_e81e- ALL RIGHTS RESERVED.

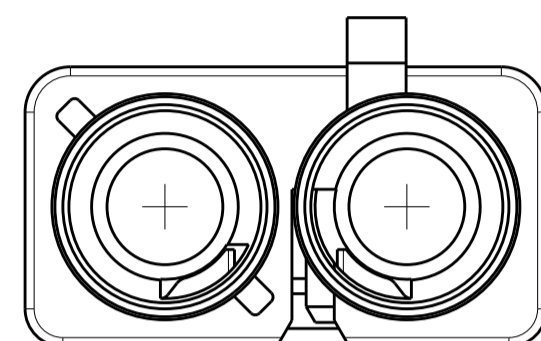
REVISIONS				
P.	LTN	DESCRIPTION	DATE	OWN APVD
-	-	SEE SHEET 1	-	-



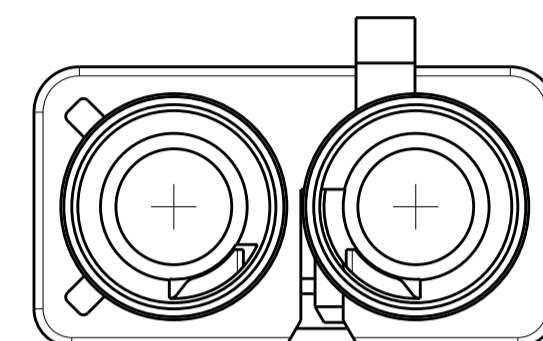
DETAIL A  
SCALE 4:1



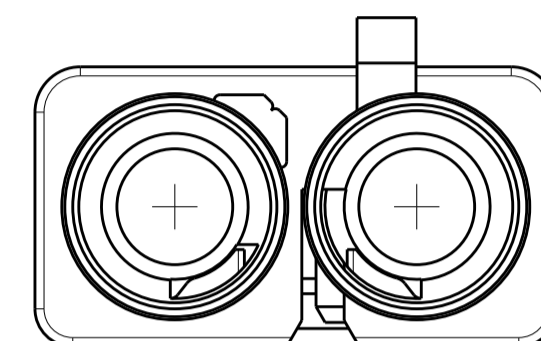
DETAIL B  
SCALE 4:1



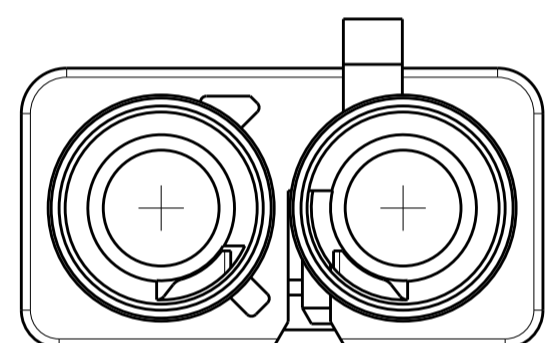
DETAIL C  
SCALE 4:1



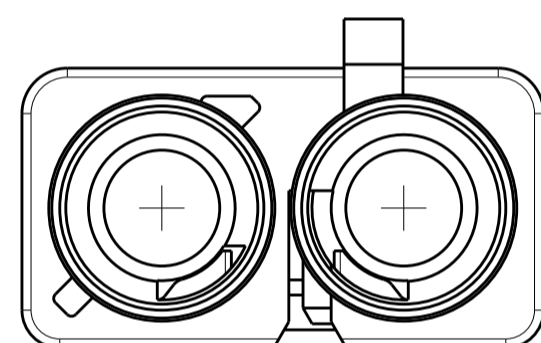
DETAIL D  
SCALE 4:1



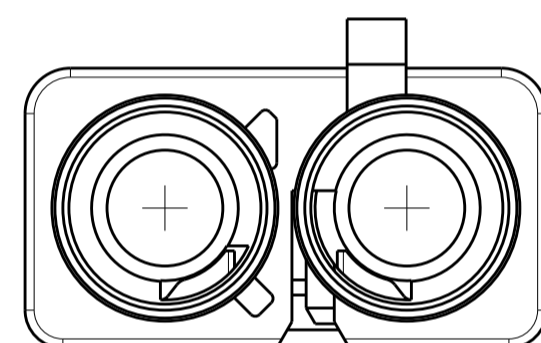
DETAIL E  
SCALE 4:1



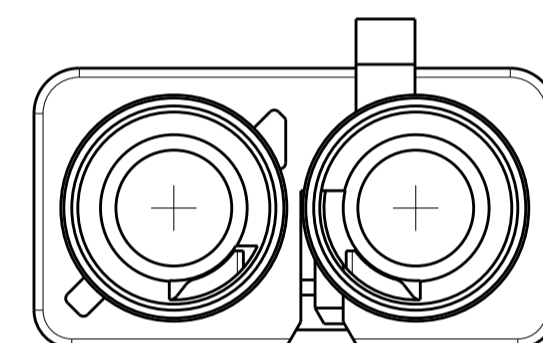
DETAIL F  
SCALE 4:1



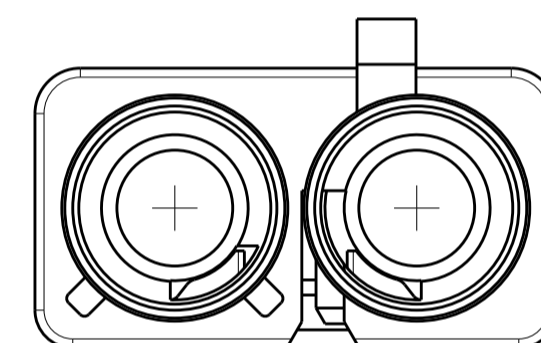
DETAIL G  
SCALE 4:1



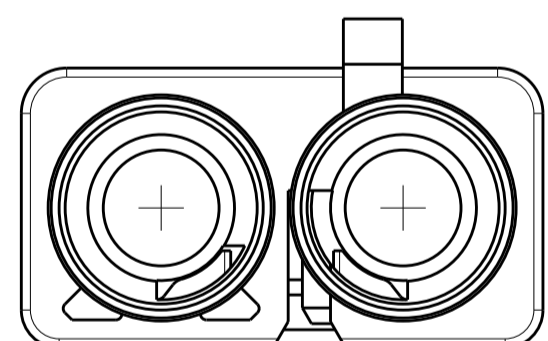
DETAIL H  
SCALE 4:1



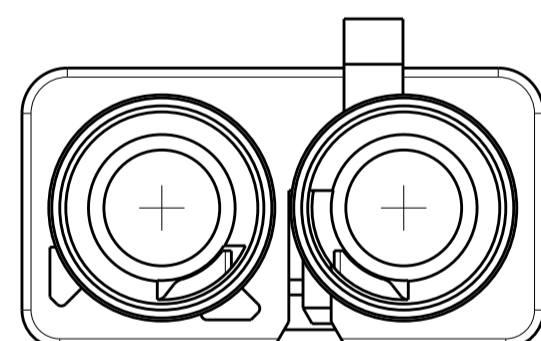
DETAIL I  
SCALE 4:1



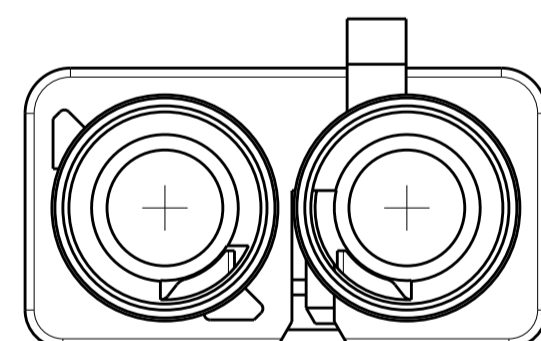
DETAIL K  
SCALE 4:1



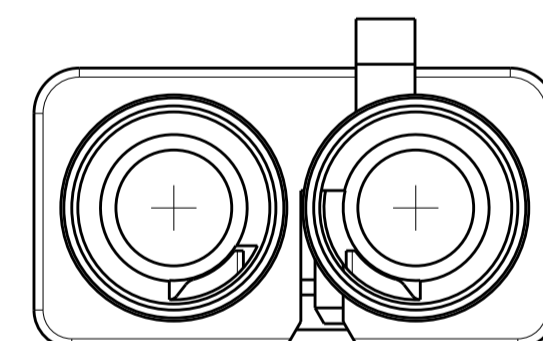
DETAIL L  
SCALE 4:1



DETAIL M  
SCALE 4:1



DETAIL N  
SCALE 4:1



DETAIL Z  
SCALE 4:1

THIS DRAWING IS A CONTROLLED DOCUMENT.		OWN: J.A. BAKER 26APR2017	
DIMENSIONS: mm		CHK: E.R. LOVE 18JUL2017	
TOLERANCES UNLESS OTHERWISE SPECIFIED:		APVD: E.R. LOVE 18JUL2017	
0 PLC ± 1 PLC ± 2 PLC ± 3 PLC ± 4 PLC ± ANGLES ±1° FINISH		NAME: MALE HOUSING, 2 POSITION, 8.0mm CENTERLINE, 180 DEGREE, FAKRA PRODUCT SPEC: 108-32137 APPLICATION SPEC: 114-32145 WEIGHT: - CUSTOMER DRAWING	
MATERIAL: -	FINISH: -	SIZE: A1	RESTRICTED TO: -
		SCALE: 5:1	SHEET 2 OF 2
		REV: A	