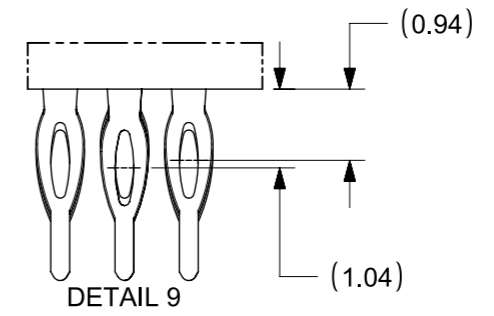
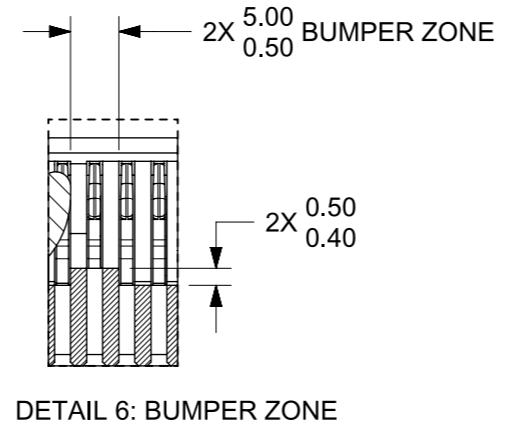
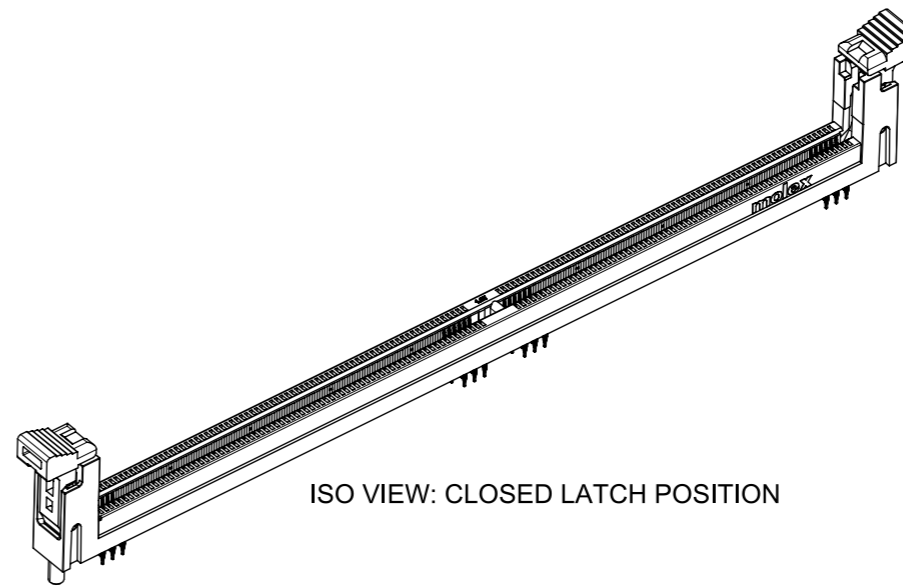
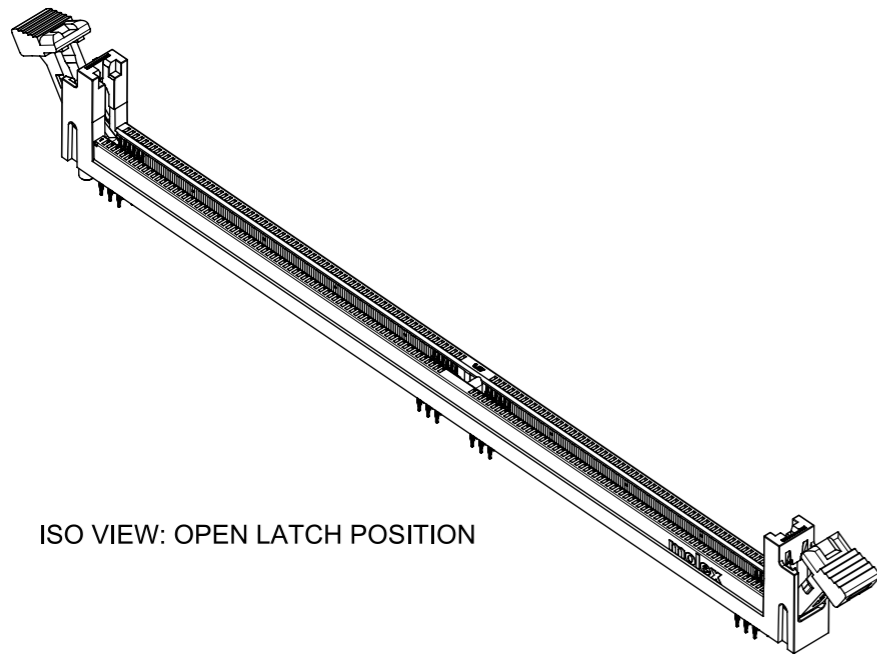
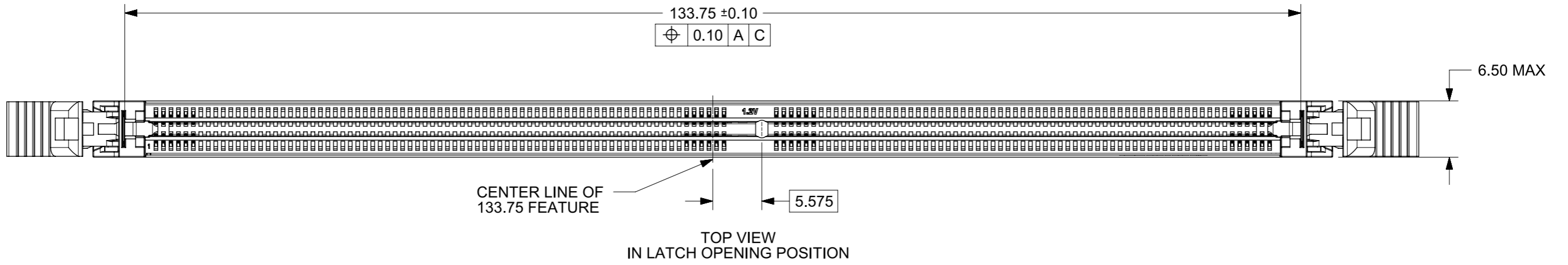

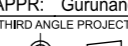


- NOTES:
- MATERIAL : HOUSING - HALOGEN FREE HIGH TEMP POLYAMIDE, GLASS FILLED, UL94V-0.
COLOUR : SEE TABLE ON SHEET 5.
LATCH - HALOGEN FREE HIGH TEMP POLYAMIDE, GLASS FILLED, UL94V-0.
COLOUR : SEE TABLE ON SHEET 5.
TERMINAL: COPPER ALLOY.
 - FINISHES - SEE TABLE ON SHEET 5.
 - PRODUCT SPECIFICATION : SEE TABLE ON SHEET 5.
 - PACKAGING SPECIFICATION: PRODUCT SHALL BE PACKED IN TRAY, SEE SHEET 5
 - CARD SLOT ACCEPTS 1.40±0.10MM MODULE THICKNESS (MEASURED OVER P.C. PADS).
 - MOLEX LOGO, DATE & PART NO. INDICATED ON HOUSING.
 - MODULE SEATING PLANE.
 - KEEP OUT ZONE RESERVED FOR LATCH.
 - KEEP OUT AREA IS THE AREA WHERE THE CONNECTOR (INCLUDES LATCHES IN OPENING POSITION) IS MOUNTED ON THE PCB.
 - REFER TO AS-78731-001 FOR CONNECTOR MOUNTING AND REWORK INFORMATION.
 - REFER TO AS-78731-003 FOR PCB ROUTING RECOMMENDATIONS.



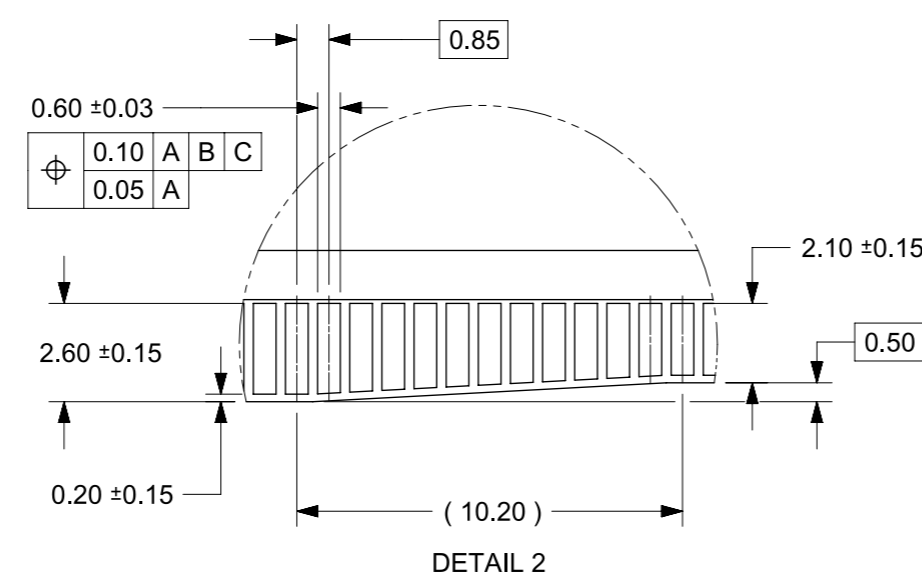
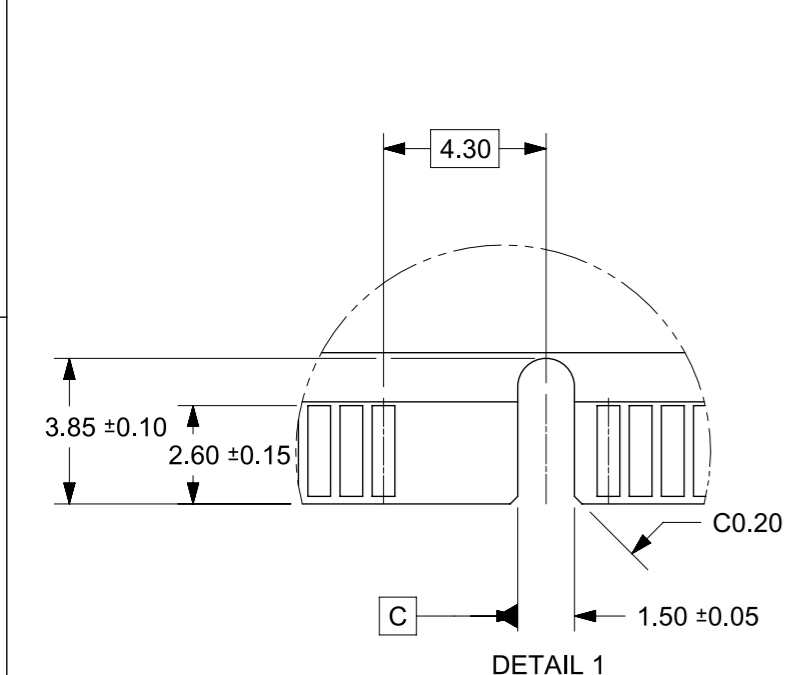
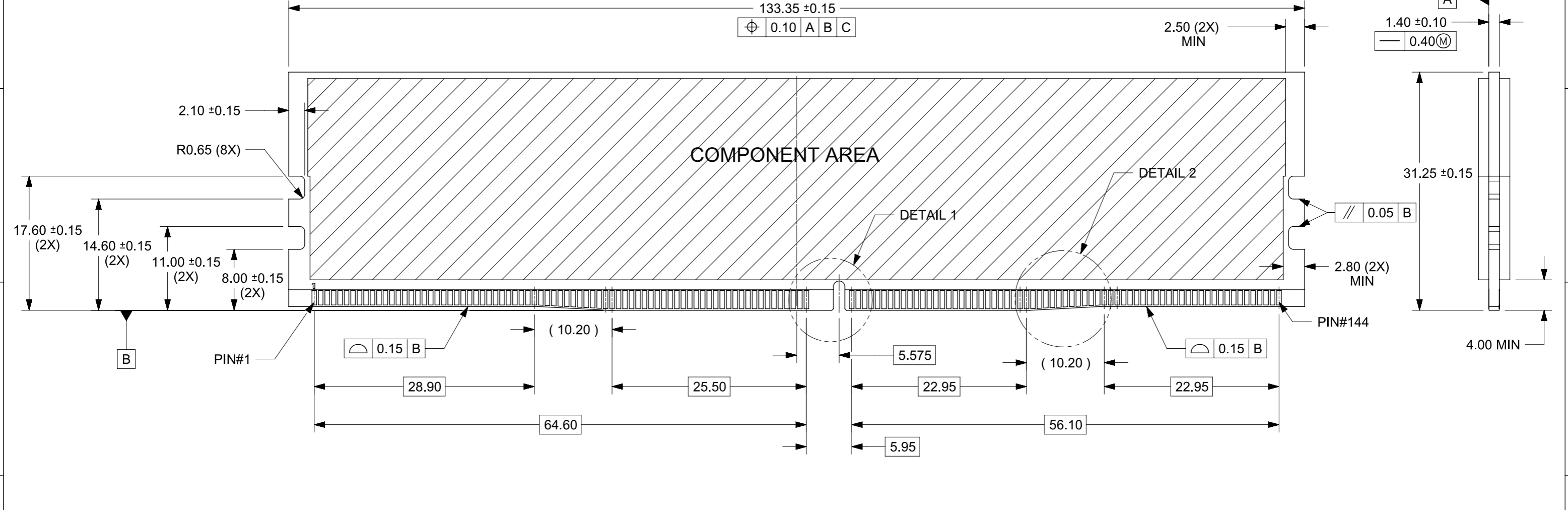
THIS DRAWING CONTAINS INFORMATION THAT IS PROPRIETARY TO MOLEX ELECTRONIC TECHNOLOGIES, LLC AND SHOULD NOT BE USED WITHOUT WRITTEN PERMISSION									
DIMENSION UNITS		SCALE		CURRENT REV DESC: REMOVED OBSOLETE PART NUMBERS AS PER PCN #516666					
MM		NTS		<p>DDR4 DIMM, 0.85MM PITCH 288CKTS, VERTICAL PF</p> <p>PRODUCT CUSTOMER DRAWING</p>					
GENERAL TOLERANCES (UNLESS SPECIFIED)									
ANGULAR TOL ± 3°									
4 PLACES ±									
3 PLACES ±									
2 PLACES ± 0.200									
1 PLACE ±				STATUS: Production		2026-03-05		DOCUMENT NUMBER	
0 PLACES ±				DRWN: Pranav Arunkumar		2026-03-27		SD-78731-001	
DRAFT WHERE APPLICABLE MUST REMAIN WITHIN DIMENSIONS				CHK'D: Ganesh Rao B		2026-03-27		PSD 001 A3	
THIRD ANGLE PROJECTION		DRAWING		SERIES		MATERIAL NUMBER		CUSTOMER	
		A3-SIZE		78731		SEE TABLE		GENERAL MARKET	
				SHEET NUMBER		1 OF 5			



THIS DRAWING CONTAINS INFORMATION THAT IS PROPRIETARY TO MOLEX ELECTRONIC TECHNOLOGIES, LLC AND SHOULD NOT BE USED WITHOUT WRITTEN PERMISSION									
DIMENSION UNITS	SCALE	CURRENT REV DESC: REMOVED OBSOLETE PART NUMBERS AS PER PCN #516666							
MM	NTS	 DDR4 DIMM, 0.85MM PITCH 288CKTS, VERTICAL PF PRODUCT CUSTOMER DRAWING							
GENERAL TOLERANCES (UNLESS SPECIFIED)									
ANGULAR TOL	± 3°								
4 PLACES	±								
3 PLACES	±								
2 PLACES	± 0.200								
1 PLACE	±	STATUS: Production	2026-03-05	DOCUMENT NUMBER	DOC TYPE	DOC PART	REVISION		
0 PLACES	±	DRWN: Pranav Arunkumar	2026-03-27	SD-78731-001	PSD	001	A3		
DRAFT WHERE APPLICABLE MUST REMAIN WITHIN DIMENSIONS		THIRD ANGLE PROJECTION	DRAWING	SERIES	MATERIAL NUMBER	CUSTOMER	SHEET NUMBER		
			A3-SIZE	78731	SEE TABLE	GENERAL MARKET	2 OF 5		

10 9 8 7 6 5 4 3 2 1

F E D C B A



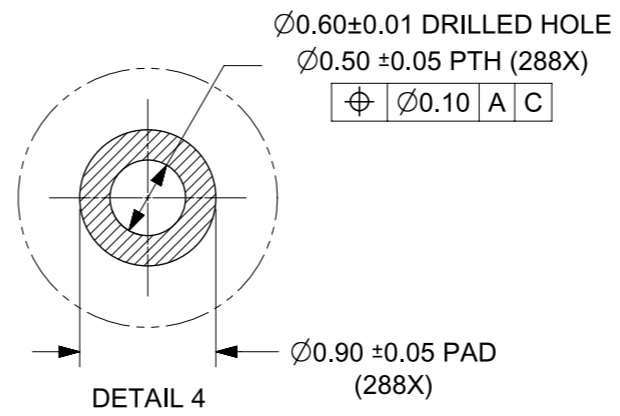
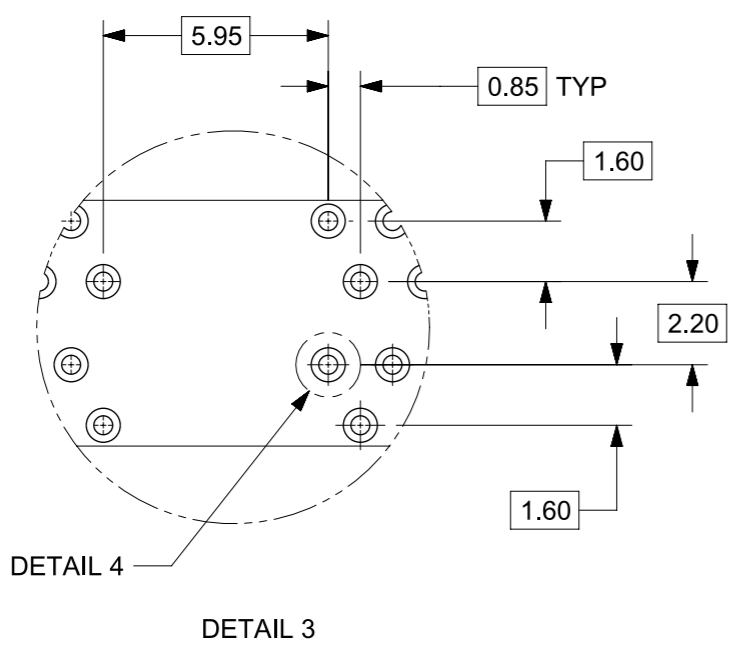
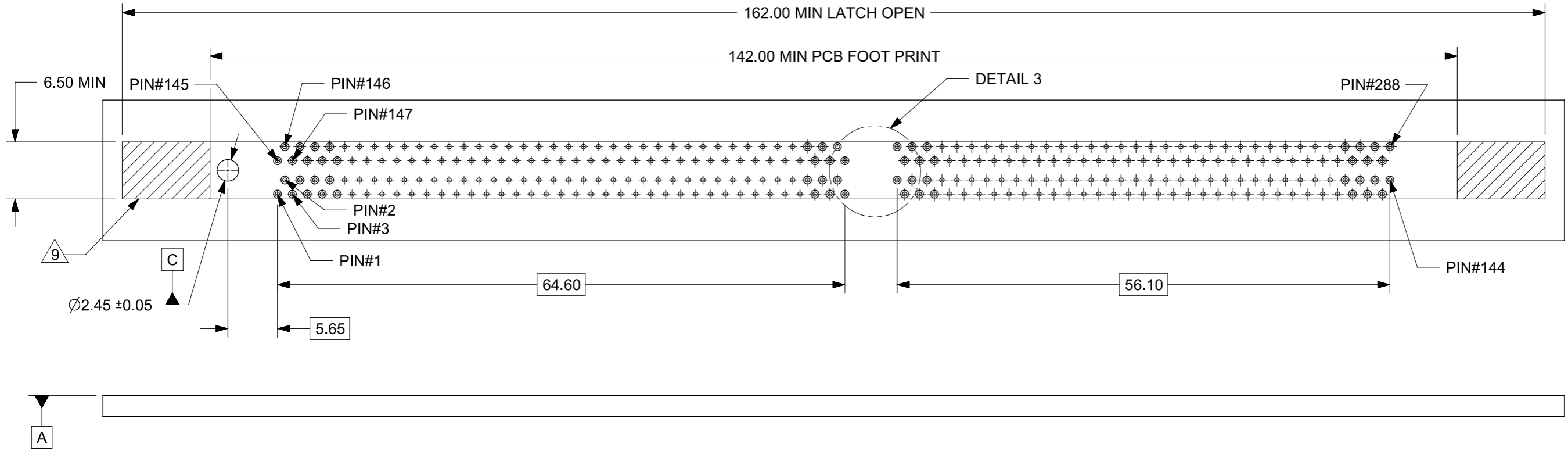
THIS DRAWING CONTAINS INFORMATION THAT IS PROPRIETARY TO MOLEX ELECTRONIC TECHNOLOGIES, LLC AND SHOULD NOT BE USED WITHOUT WRITTEN PERMISSION									
DIMENSION UNITS MM		SCALE NTS		CURRENT REV DESC: REMOVED OBSOLETE PART NUMBERS AS PER PCN #516666					
GENERAL TOLERANCES (UNLESS SPECIFIED)									
ANGULAR TOL ± 3°									
4 PLACES ±									
3 PLACES ±									
2 PLACES ± 0.200									
1 PLACE ±									
0 PLACES ±									
DRAFT WHERE APPLICABLE MUST REMAIN WITHIN DIMENSIONS		THIRD ANGLE PROJECTION		DRAWING A3-SIZE		SERIES 78731		MATERIAL NUMBER SEE TABLE	
								CUSTOMER GENERAL MARKET	
STATUS: Production				DRWN: Pranav Arunkumar		2026-03-05		DOCUMENT NUMBER SD-78731-001	
CHK'D: Ganesh Rao B				2026-03-27		DOC TYPE PSD		DOC PART 001	
APPR: Gurunandan GA				2026-03-27		REVISION A3		SHEET NUMBER 3 OF 5	

10 9 8 7 6 5 4 3 2 1

F E D C B A

10 9 8 7 6 5 4 3 2 1


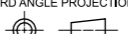
F
E
D
C
B
A



THIS DRAWING CONTAINS INFORMATION THAT IS PROPRIETARY TO MOLEX ELECTRONIC TECHNOLOGIES, LLC AND SHOULD NOT BE USED WITHOUT WRITTEN PERMISSION									
DIMENSION UNITS	SCALE	CURRENT REV DESC: REMOVED OBSOLETE PART NUMBERS AS PER PCN #516666							
MM	NTS	<div style="text-align: center; font-size: 24pt; font-weight: bold;">molex</div> <p>DDR4 DIMM, 0.85MM PITCH 288CKTS, VERTICAL PF</p> <p>PRODUCT CUSTOMER DRAWING</p>							
GENERAL TOLERANCES (UNLESS SPECIFIED)									
ANGULAR TOL	± 3°								
4 PLACES	±								
3 PLACES	±								
2 PLACES	± 0.200								
1 PLACE	±	STATUS: Production	DRWN: Pranav Arunkumar	2026-03-05	DOCUMENT NUMBER	DOC TYPE	DOC PART	REVISION	
0 PLACES	±	CHK'D: Ganesh Rao B	2026-03-27	2026-03-27	SD-78731-001	PSD	001	A3	
DRAFT WHERE APPLICABLE MUST REMAIN WITHIN DIMENSIONS	THIRD ANGLE PROJECTION	DRAWING	SERIES	MATERIAL NUMBER	CUSTOMER	SHEET NUMBER			
		A3-SIZE	78731	SEE TABLE	GENERAL MARKET	4 OF 5			

10 9 8 7 6 5 4 3 2 1

CKT SIZE	ASSEMBLY PART NO.	HOUSING COLOUR	LATCH COLOUR	DIM"P"	DIM"Q"	RECOMMENDED MINIMUM PCB THICKNESS	PLATING OPTION		PRODUCT SPEC. NO.	PACKAGING SPEC. NO.
							CONTACT AREA	TAIL AREA		
288	78731-1002	BLACK	BLACK	2.53	4.30	1.80	0.76 MICROMETER (30 MICROINCH) MIN GOLD ON CONTACT	0.38 TO 1.52 MICROMETER (15 TO 60 MICROINCH) MIN TIN ON SOLDER TAILS	PS-78731-001	PK-78731-001
	78731-1003	BLACK	WHITE							
	78731-1004	WHITE	BLACK							
	78731-1007	BLACK	BLACK	3.53						
	78731-1009	WHITE	BLACK							
	78731-1010	WHITE	WHITE							
	78731-1011	BLUE	BLUE	2.53						
	78731-2003	BLACK	WHITE							
	78731-2004	WHITE	BLACK							
	78731-2007	BLACK	BLACK	3.53						
	78731-2008	BLACK	WHITE							
	78731-2009	WHITE	BLACK							
	78731-2010	WHITE	WHITE							
78731-2011	BLUE	BLUE								

THIS DRAWING CONTAINS INFORMATION THAT IS PROPRIETARY TO MOLEX ELECTRONIC TECHNOLOGIES, LLC AND SHOULD NOT BE USED WITHOUT WRITTEN PERMISSION									
DIMENSION UNITS	SCALE	CURRENT REV DESC: REMOVED OBSOLETE PART NUMBERS AS PER PCN #516666							
MM	NTS	 DDR4 DIMM, 0.85MM PITCH 288CKTS, VERTICAL PF							
GENERAL TOLERANCES (UNLESS SPECIFIED)									
ANGULAR TOL	± 3°	STATUS: Production DRWN: Pranav Arunkumar 2026-03-05 CHK'D: Ganesh Rao B 2026-03-27 APPR: Gurunandan GA 2026-03-27							
4 PLACES	±								
3 PLACES	±								
2 PLACES	± 0.200								
1 PLACE	±								
0 PLACES	±	PRODUCT CUSTOMER DRAWING		DOCUMENT NUMBER		DOC TYPE	DOC PART	REVISION	
DRAFT WHERE APPLICABLE MUST REMAIN WITHIN DIMENSIONS		THIRD ANGLE PROJECTION		DRAWING	SERIES	MATERIAL NUMBER	CUSTOMER	SHEET NUMBER	
				A3-SIZE	78731	SEE TABLE	GENERAL MARKET	5 OF 5	