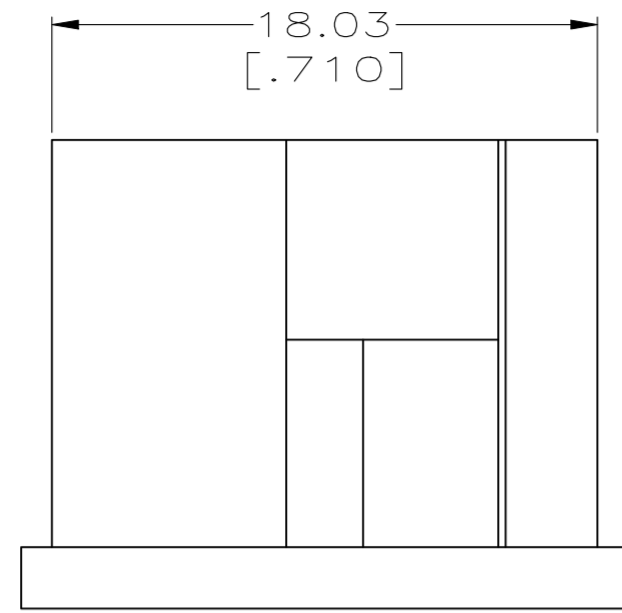
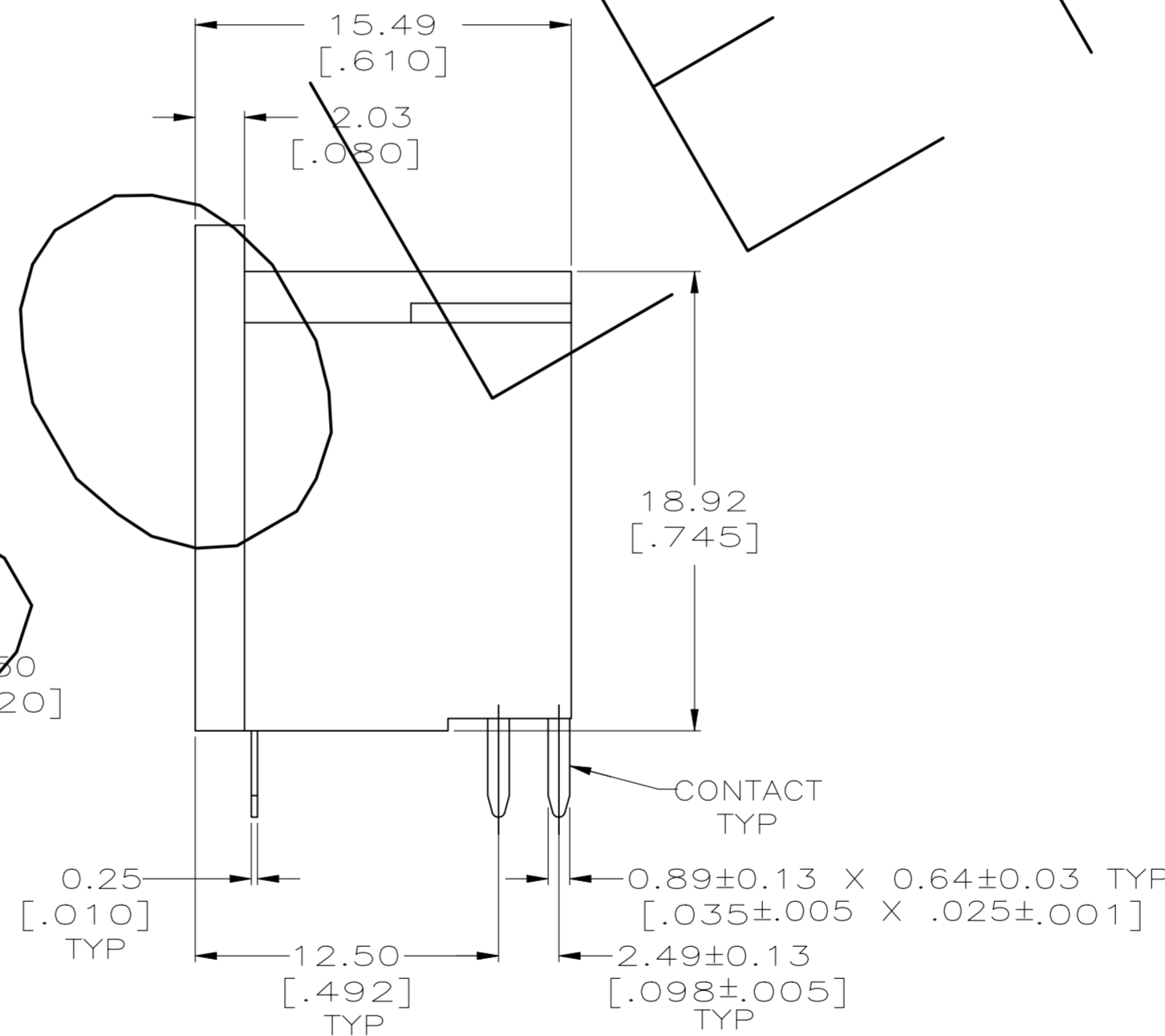
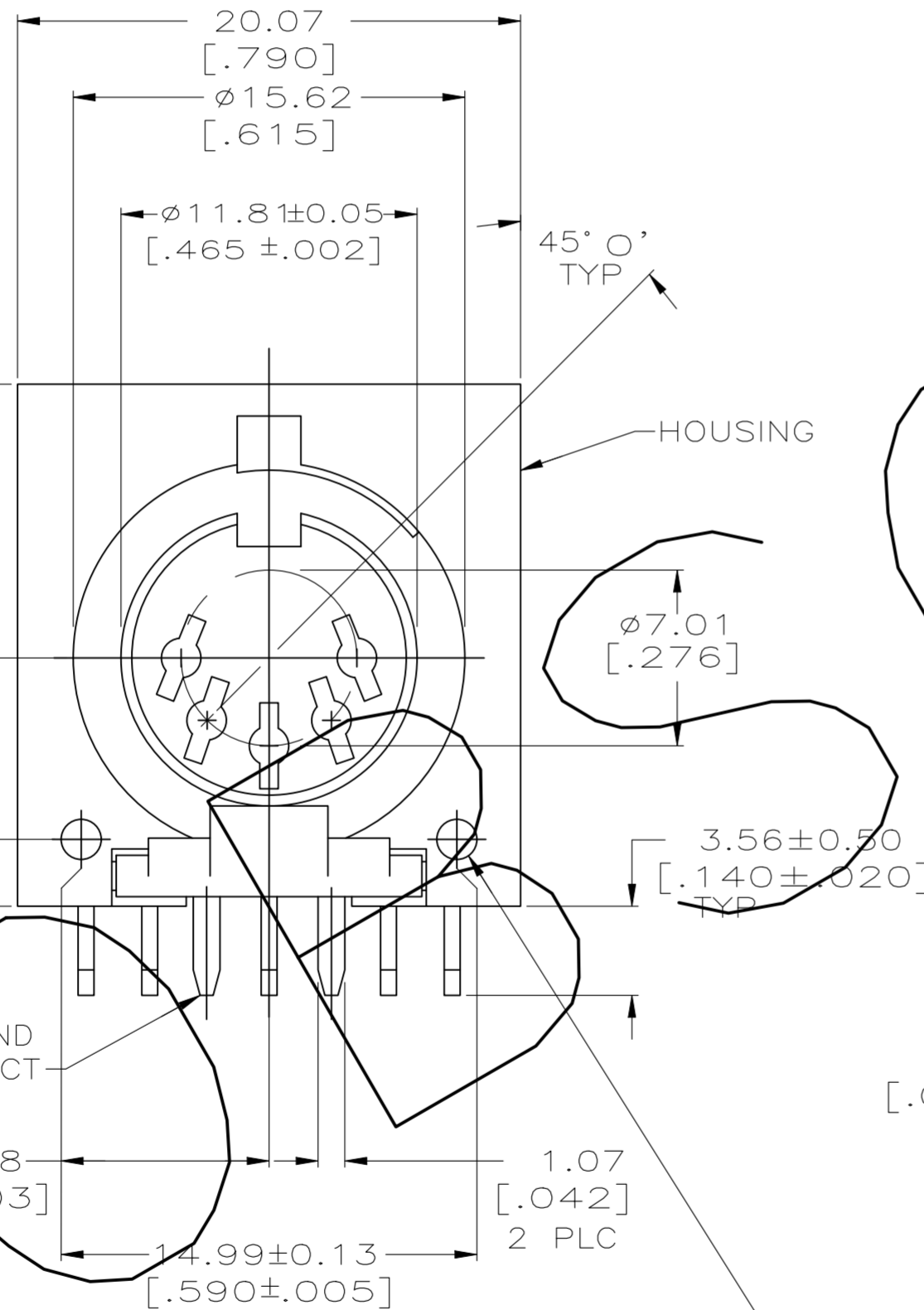


REVISIONS					
P	LTR	DESCRIPTION	DATE	DWN	APVD
P1		REVISED AS PER ECR-24-227720	27NOV2024	MK	MS



- 1 HOUSING: NYLON, FLAME RETARDANT, UL 94V-0 RATED, GLASS FILLED, BLACK.
- 2 CONTACTS AND GROUND CONTACT: 2.54 μm [0.000100] MIN TIN OVER 1.27 μm [0.000050] MIN NICKEL.
- 3. MATING FACE CONFORMS TO DIN SPECIFICATION 41524.
- 4 CONTACTS AND GROUND CONTACT: BRASS.



TUBE	5211450-2
GANG OF TUBES	5211450-1
PACKAGING TYPE	PART NO

THIS DRAWING IS A CONTROLLED DOCUMENT.		DWN L. VARELA - DOCK5 11-11-04	TE TE Connectivity	
DIMENSIONS: mm [INCHES]		CHK C. ROHDE 11-11-04		
TOLERANCES UNLESS OTHERWISE SPECIFIED:		APVD M. WALMSLEY 11-11-04	NAME RECEPTACLE ASSEMBLY, 5 POSN, RIGHT ANGLE, CIRCULAR DIN	
0 PLC ± -		PRODUCT SPEC 108-10047	SIZE CAGE CODE DRAWING NO RESTRICTED TO	
1 PLC ± -		APPLICATION SPEC 114-40025	SCALE SHEET REV	
2 PLC ± 0.25 [010]		WEIGHT 0.000000	4:1 1 OF 1 P1	
3 PLC ± -		CUSTOMER DRAWING		
4 PLC ± -				
ANGLES ± 0° 30'				
MATERIAL		FINISH		
1 4		2		