

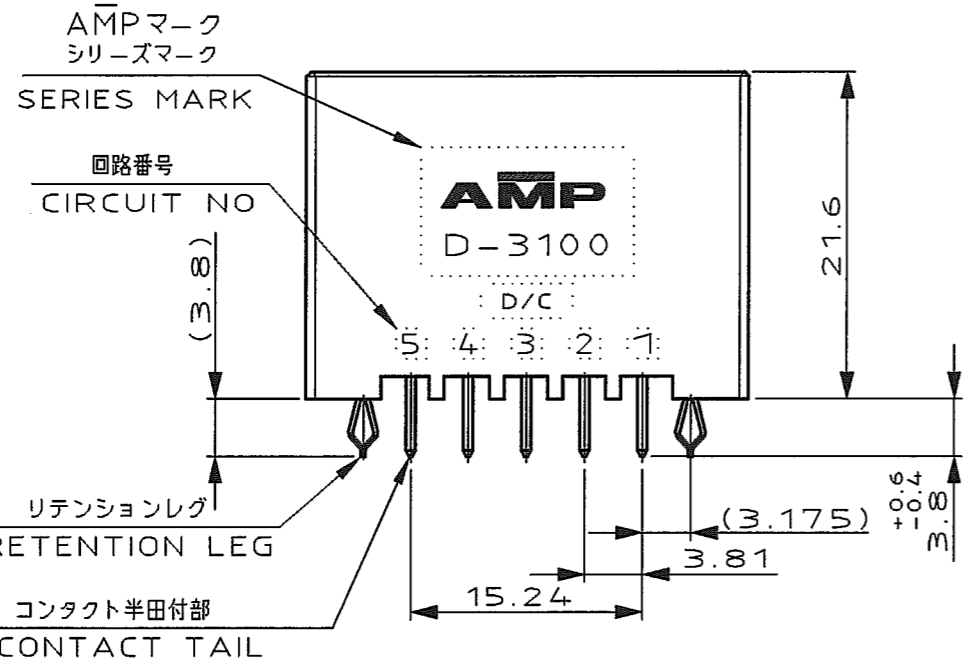
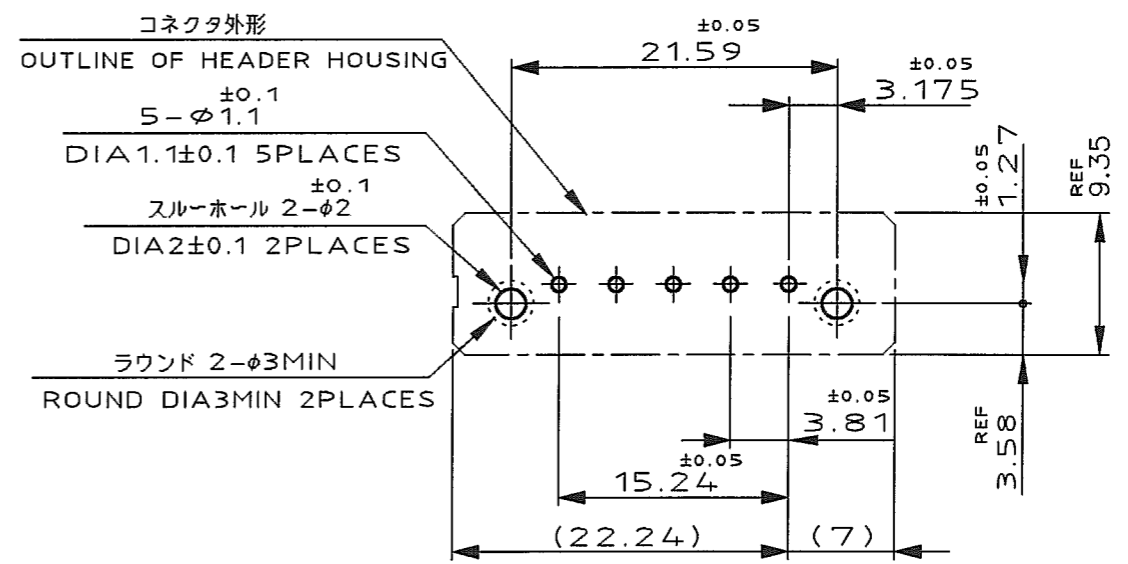
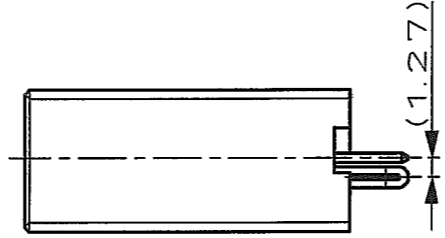
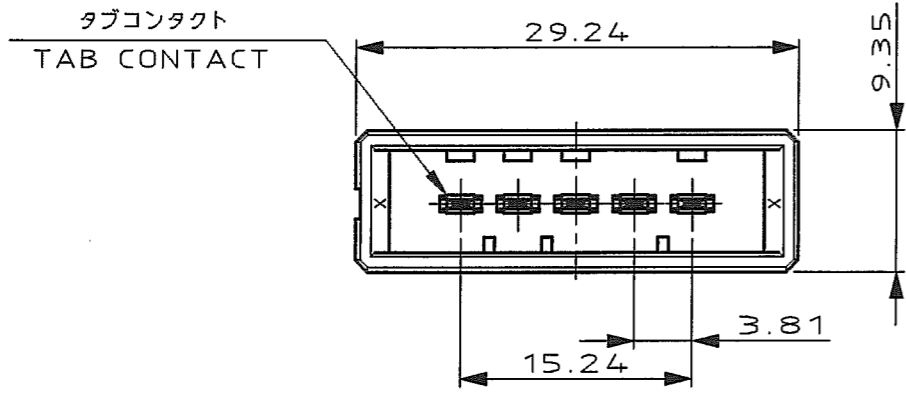
NUMBER 178315



METRIC

DIMENSIONS IN MILLIMETERS. DO NOT SCALE PRINT

PRINT DIST



コネクタ外形  
OUTLINE OF HEADER HOUSING

5-φ1.1 ±0.1  
DIA 1.1±0.1 5 PLACES

スルーホール 2-φ2 ±0.1  
DIA 2±0.1 2 PLACES

ラウンド 2-φ3MIN  
ROUND DIA 3MIN 2 PLACES

推奨基板取付け寸法  
PC 基板厚: 1.6±0.1  
(非累積公差)  
(コネクタ搭載面)

RECOMEND PC BOARD HOLE PATTERN  
PC BOARD THICKNESS: 1.6±0.1  
(NOT ACCUMULATE TOLERANCE)  
(CONNECTOR MOUNT SIDE)

- NOTES
- MATERIAL: HOUSING: GLASS FILED THERMO PLASTIC, POLYESTER (94V-0), COLOR: BLACK  
CONTACT: COPPER ALLOY  
RETENTION LEG: COPPER ALLOY
  - FINISH (CONTACT AREA): 0.38μm PdNi & Au PLATING OVER NICKEL
  - FINISH (CONTACT AREA): 0.76μm PdNi & Au PLATING OVER NICKEL
  - FINISH (CONTACT AREA): 2.0 μm MIN TIN PLATED OVER NICKEL
  - FINISH (RETENTION LEG): TIN LEAD PLATED (CONTACT TAIL) OVER NICKEL
  - FINISH (RETENTION LEG): TIN PLATED (CONTACT TAIL) OVER NICKEL

△6	△4	1-178315-5
△6	△3	1-178315-3
△6	△2	1-178315-2
(FINISH)		製品番号 (PART NO.)

F	REVISED PER ECR-25-250788	F.Z	R.B	16 JAN 2025
E1	REVISED PER ECO-11-005030	RK	HMR	23 MAR 11
LTR	REVISION RECORD	DR	CHK	DATE

WIRE RANGE		INSULATION DIA		NAME	
mm (AWG)		mm		5 POS SINGLE ROW VERTICAL HDR ASS'Y FOR DYNAMIC D-3100	
MATERIAL SEE NOTE 注記参照		FINISH SEE NOTE 注記参照		一般公差 (GENERAL TOLERANCE)	
DR. 19 APR 94 N. Matsubara		DE. 19 APR 94 N. Matsubara		SIZE A3	LOC J
CHK. 20 APR 94 S. MANABE		APP. 20 APR 94 S. MANABE		NUMBER C-178315	SCALE 2-1
				REV. F	SHEET 1 OF 1

