

This document is the property of Amphenol Corporation and is delivered on the express condition that is not to be disclosed, reproduced or used, in whole or in part, for manufacture or sale by anyone other than Amphenol Corporation without its prior consent, and that no right is granted to disclose or to use any information in this document.

The marking on this product doesn't contain environmental hazardous materials per directive 2011/65/EU & 2015/863/EU for RoHS compliant and per IEC 61249-2-21 for Halogen-Free compliant.

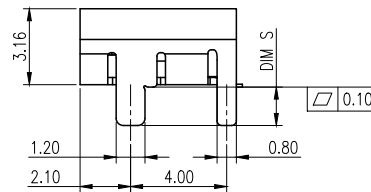
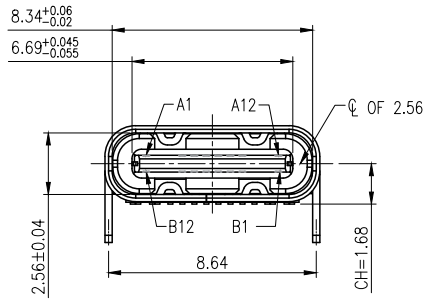
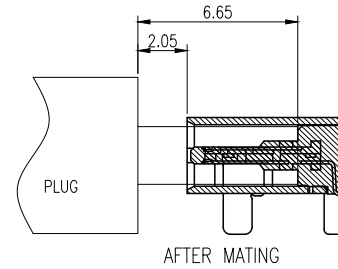
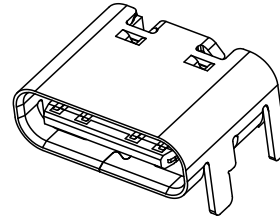
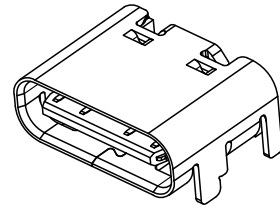
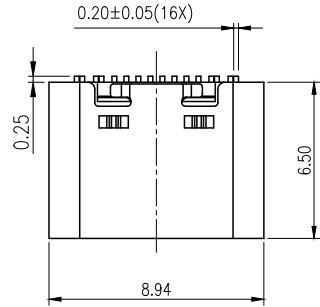
FOR REFERENCE ONLY



REVISIONS				
SYM	ECN No.	DESCRIPTION	DATE	BY
AX1	EDSR#12671	NON-RELEASE REVISION	2022-11-22	Debby Hung
AX2	EDSR#12676	ADD 30u" GOLD OPTIONS	2022-11-25	Debby Hung
AX3	EDSR#12917	ADD 3u" GOLD/DIM S: 0.50mm OPTIONS, UPDATED LCP TO NYLON9T	2023-03-09	Aqua Chou
AX4	EDSR#13511	UPDATE PACKING TABLE	2023-10-17	Debby Hung

NOTES:

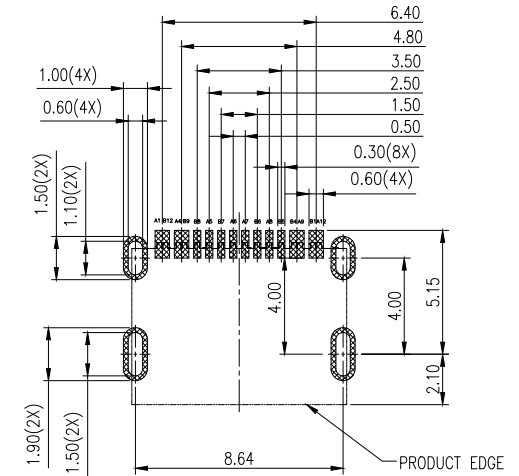
- MATERIAL:
HOUSING: THERMAL PLASTIC NYLON9T, UL94-V0, COLOR: BLACK
TERMINAL: COPPER ALLOY.
MID PLATE: STAINLESS STEEL
SHELL: STAINLESS STEEL
- FINISH:
TERMINAL:
CONTACT AREA: SELECTIVE PLATING;
SOLDERING AREA: GOLD FLASH PLATING. ;
UNDER PLATING: NICKEL PLATING 50 u" THICKNESS MIN. OVERALL.
SHELL:
NICKEL PLATING 50 u" THICKNESS MIN. OVERALL.
- PRODUCT SPECIFICATION REFER TO : PS-XXXX.
- THIS PRODUCT DOESN'T CONTAIN ENVIRONMENTAL HAZARDOUS PER DIRECTIVE 2011/65/EU & 2015/863/EU FOR ROHS COMPLIANT. AND PER IEC 61249-2-21 FOR HALOGEN-FREE COMPLIANT.



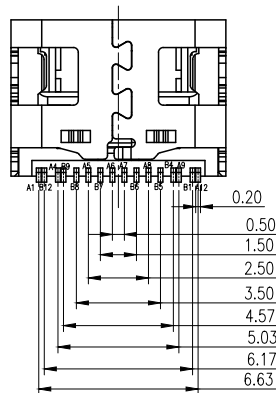
P/N : GSB1C41 X 1 X 1DS1HR
CONTACT FINISH
1: FLASH GOLD
2: 30u" GOLD
7: 3u" GOLD
DIM S
0: 1.6mm
1: 0.5mm

USB TYPE-C PIN ASSIGNMENTS

PIN NUMBER	SIGNAL NAME	PIN NUMBER	SIGNAL NAME
A1	GND	B12	GND
A4	VBUS	B9	VBUS
A5	CC1	B8	SBU2
A6	Dp1	B7	Dn2
A7	Dn1	B6	Dp2
A8	SBU1	B5	CC2
A9	VBUS	B4	VBUS
A12	GND	B1	GND



RECOMMENDED PCB LAYOUT(TOP VIEW)
DEFAULT TOLERANCE:±0.05



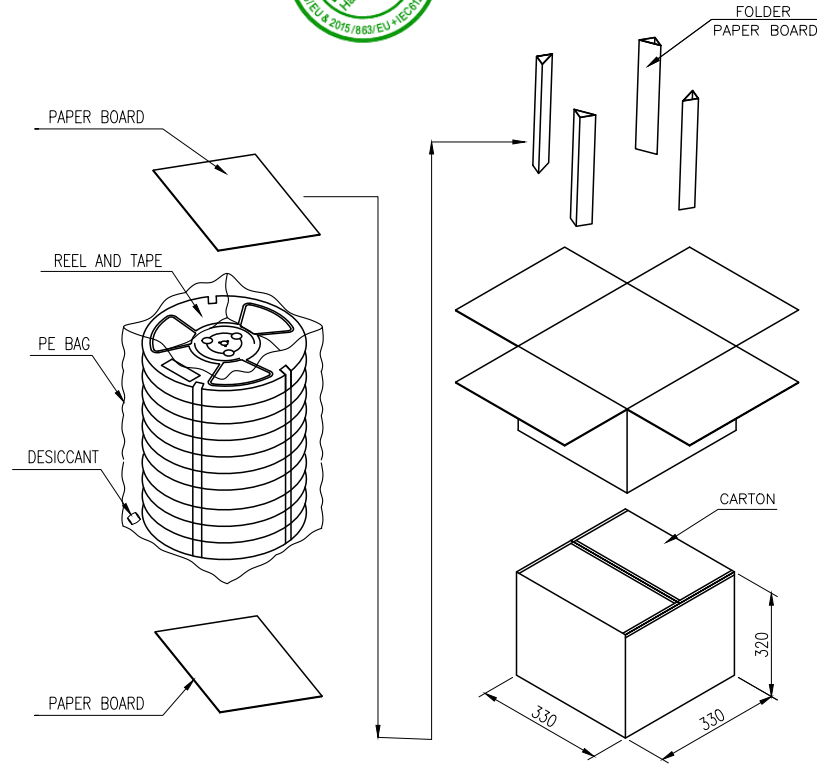
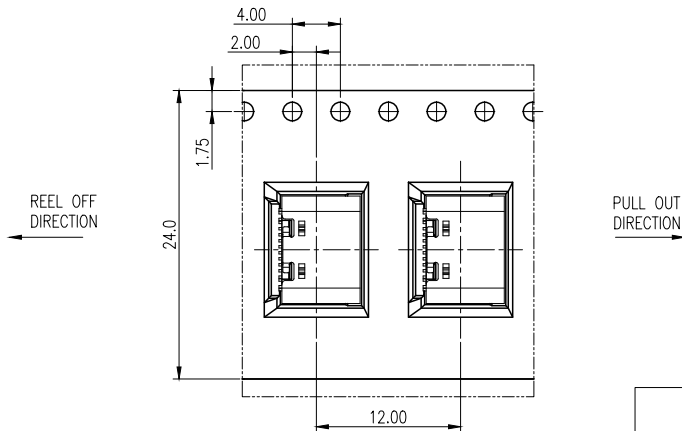
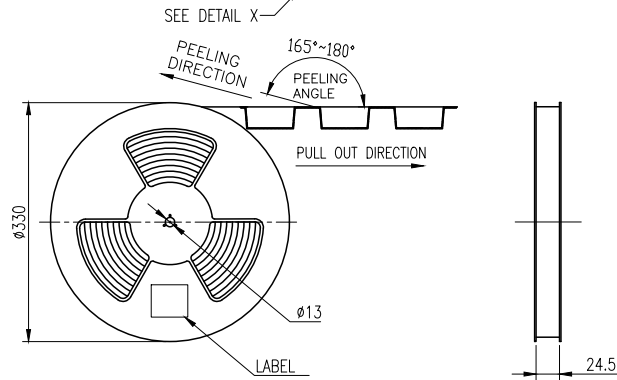
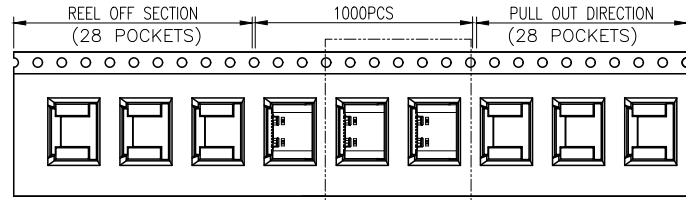
TOLERANCE	APPROVALS	DATE	TITLE		PART No.			
X. X.X ±0.30 X.XX ±0.20 X.XXX ±0.10	DRAWN Debby Hung	2023-10-17	USB 2.0 TYPE C 16PIN RECEPTACLE R/A SMT TYPE CH=1.68mm		Amphenol® Amphenol Corporation Amphenol Taiwan Corporation			
ANGULAR ±1°	CHECKED Joseph Jiang	2023-10-17	UNIT mm	SIZE A3	PART No. GSB1C41X1X1DS1HR			
UNLESS OTHERWISE SPECIFIED	APPROVED Roger Tsai	2023-10-17	SCALE NA	SHEET 1 OF 2	DWG No. GSB1C41X1X1DS1HR REV. AX4			
	DWG TYPE CUST DWG	PROJECT CODE OTHER						

This document is the property of Amphenol Corporation and is delivered on the express condition that is not to be disclosed, reproduced or used, in whole or in part, for manufacture or sale by anyone other than Amphenol Corporation without its prior consent, and that no right is granted to disclose or to use any information in this document.

The marking on this product doesn't contain environmental hazardous materials per directive 2011/65/EU & 2015/863/EU for RoHS compliant and per IEC 61249-2-21 for Halogen-Free compliant.

FOR REFERENCE ONLY

REVISIONS					
SYM	ECN No.	DESCRIPTION	DATE	BY	
AX1	EDSR#12671	NON-RELEASE REVISION	2022-11-22	Debby Hung	
AX2	EDSR#12676	ADD 30u" GOLD OPTIONS	2022-11-25	Debby Hung	
AX3	EDSR#12917	ADD 3u" GOLD/DIM S: 0.50mm OPTIONS, UPDATED LCP TO NYLON9T	2023-03-09	Aqua Chou	
AX4	EDSR#13511	UPDATE PACKING TABLE	2023-10-17	Debby Hung	



PACKAGING BY T&R	X.X	X.X	1200	10	12000	GSB1C41X111DS1HR
	X.X	X.X	1000	10	10000	GSB1C41X101DS1HR
	G/W KG	N/W KG	PCS/ REEL	REELS/ BOX	QUANTITY (PCS)	PART NUMBER

TOLERANCE	APPROVALS	DATE	TITLE		Amphenol®	
X. ±0.30	DRAWN Debby Hung	2023-10-17	USB 2.0 TYPE C 6PIN RECEPTACLE R/A SMT TYPE CH=1.68mm		Amphenol Corporation Amphenol Taiwan Corporation	
X.XX ±0.20	CHECKED Joseph Jiang	2023-10-17				
X.XXX ±0.10	APPROVED Roger Tsai	2023-10-17				
ANGULAR ±1°	DWG TYPE CUST DWG	PROJECT CODE OTHER	UNIT mm	SIZE A3	PART No.	GSB1C41X1X1DS1HR
UNLESS OTHERWISE SPECIFIED			SCALE NA	SHEET 2 OF 2	DWG No.	GSB1C41X1X1DS1HR
					REV.	AX4