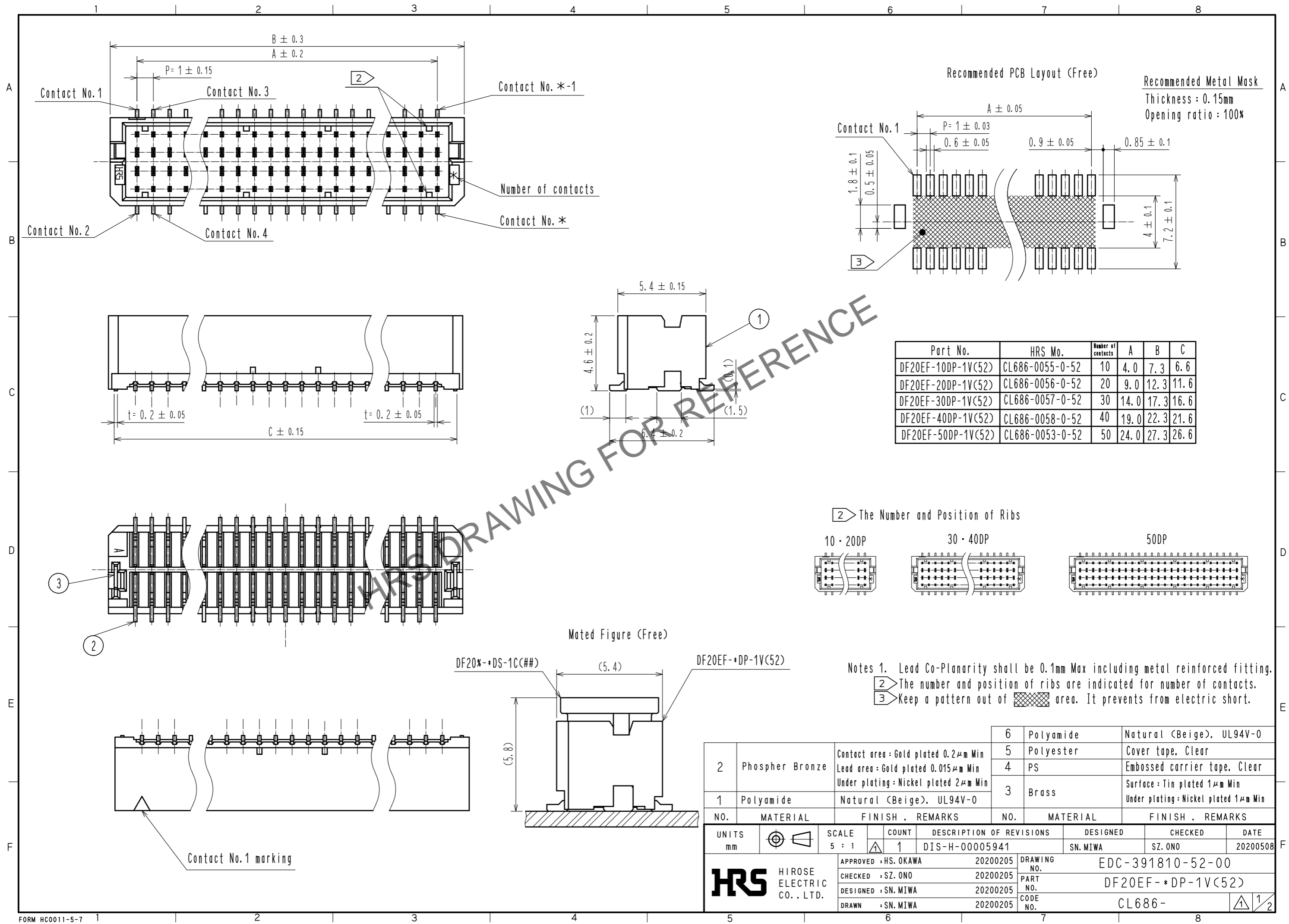


May.1.2026 Copyright 2026 HIROSE ELECTRIC CO., LTD. All Rights Reserved.  
In case of consideration for using Automotive equipment / device which demand high reliability, kindly contact our sales window correspondents.

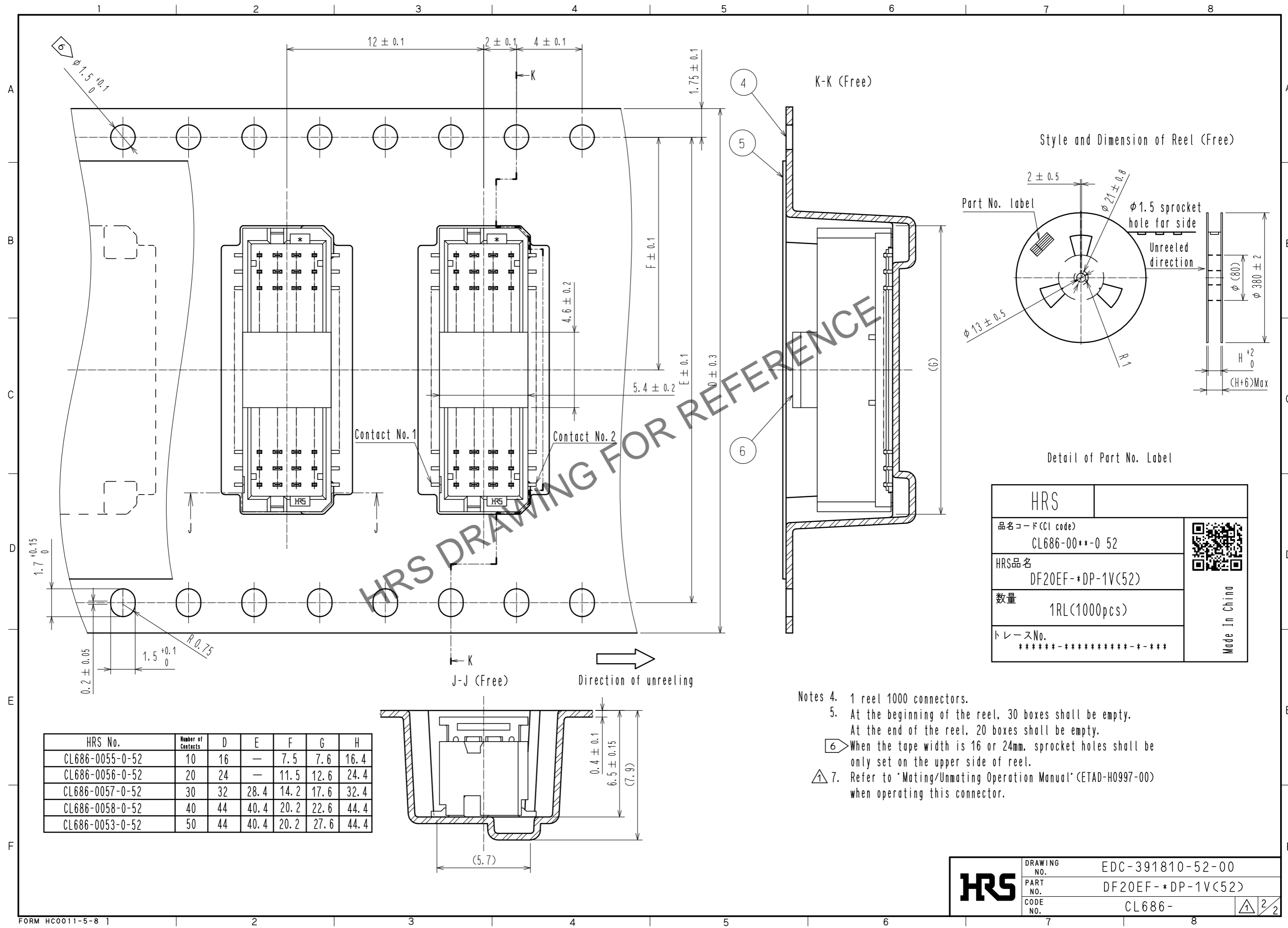


NO.	MATERIAL	FINISH	REMARKS	NO.	MATERIAL	FINISH	REMARKS
2	Phospher Bronze	Contact area : Gold plated 0.2μm Min Lead area : Gold plated 0.015μm Min Under plating : Nickel plated 2μm Min		6	Polyamide	Natural (Beige), UL94V-0	
1	Polyamide	Natural (Beige), UL94V-0		5	Polyester	Cover tape, Clear	
				4	PS	Embossed carrier tape, Clear	
				3	Brass	Surface : Tin plated 1μm Min Under plating : Nickel plated 1μm Min	

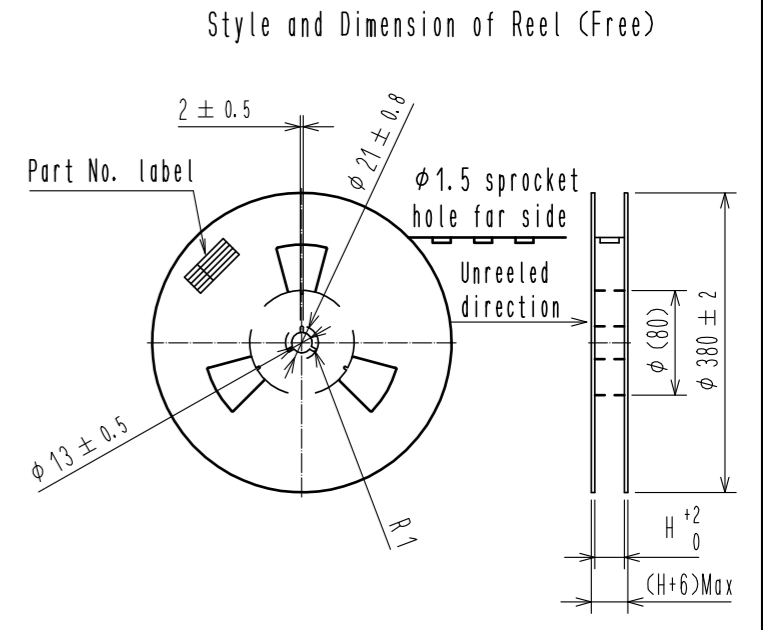
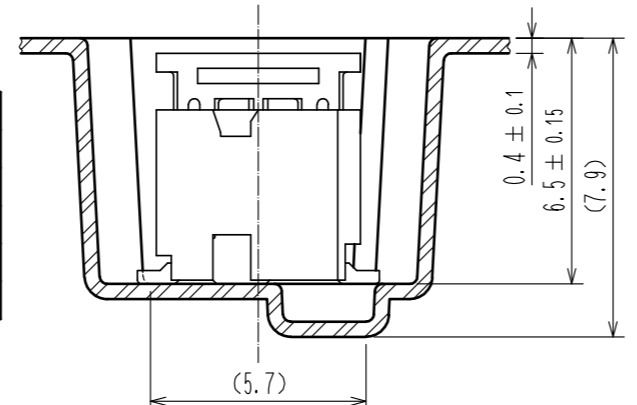
UNITS	SCALE	COUNT	DESCRIPTION OF REVISIONS	DESIGNED	CHECKED	DATE
mm	5 : 1	1	DIS-H-00005941	SN.MIWA	SZ.ONO	20200508


APPROVED	CHECKED	DESIGNED	DRAWN	DRAWING NO.	PART NO.	CODE NO.
HS.OKAWA	SZ.ONO	SN.MIWA	SN.MIWA	EDC-391810-52-00	DF20EF-*DP-1V(52)	CL686-

May.1.2026 Copyright 2026 HIROSE ELECTRIC CO., LTD. All Rights Reserved.  
 In case of consideration for using Automotive equipment / device which demand high reliability, kindly contact our sales window correspondents.



HRS No.	Number of Contacts	D	E	F	G	H
CL686-0055-0-52	10	16	—	7.5	7.6	16.4
CL686-0056-0-52	20	24	—	11.5	12.6	24.4
CL686-0057-0-52	30	32	28.4	14.2	17.6	32.4
CL686-0058-0-52	40	44	40.4	20.2	22.6	44.4
CL686-0053-0-52	50	44	40.4	20.2	27.6	44.4



HRS		 Made In China
品名コード (CI code)	CL686-00**-0 52	
HRS品名	DF20EF-*DP-1V(52)	
数量	1RL(1000pcs)	
トレースNo.	*****-*****-**-***	

- Notes 4. 1 reel 1000 connectors.  
 5. At the beginning of the reel, 30 boxes shall be empty.  
 At the end of the reel, 20 boxes shall be empty.  
 6. When the tape width is 16 or 24mm, sprocket holes shall be only set on the upper side of reel.  
 7. Refer to 'Mating/Unmating Operation Manual' (ETAD-H0997-00) when operating this connector.

<b>HRS</b>	DRAWING NO.	EDC-391810-52-00
	PART NO.	DF20EF-*DP-1V(52)
	CODE NO.	CL686-