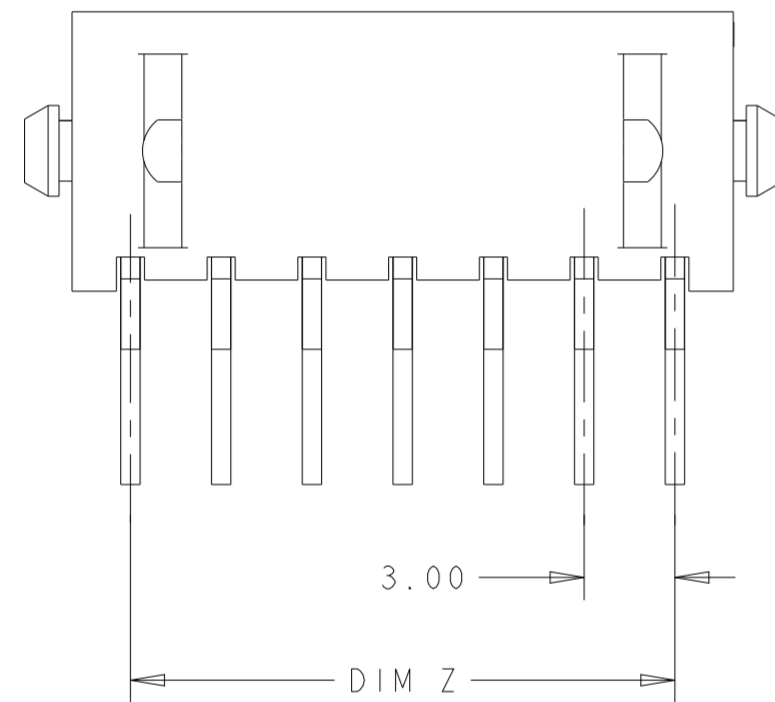
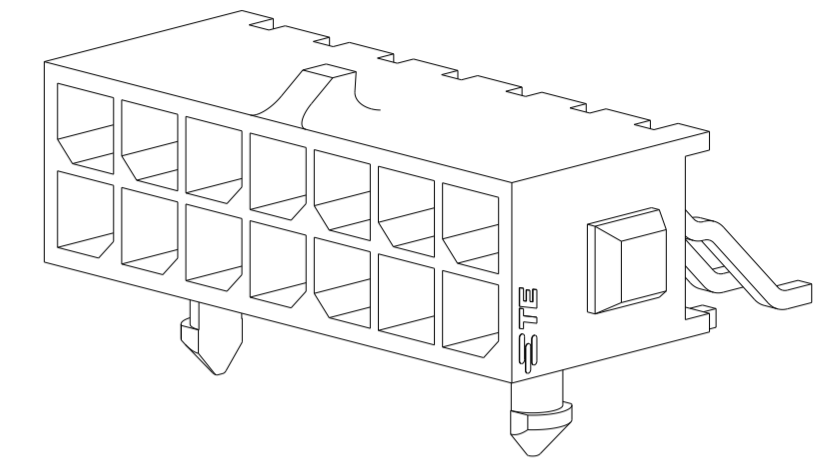
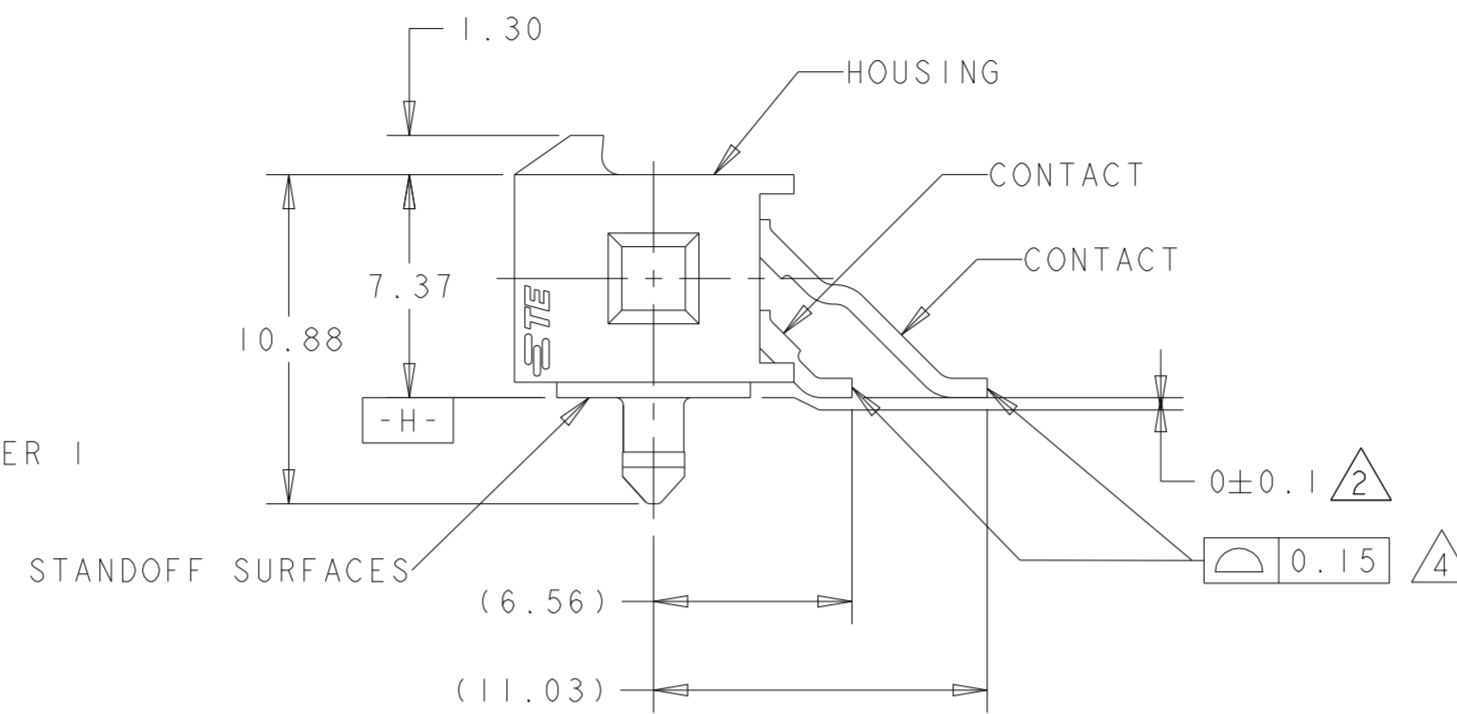
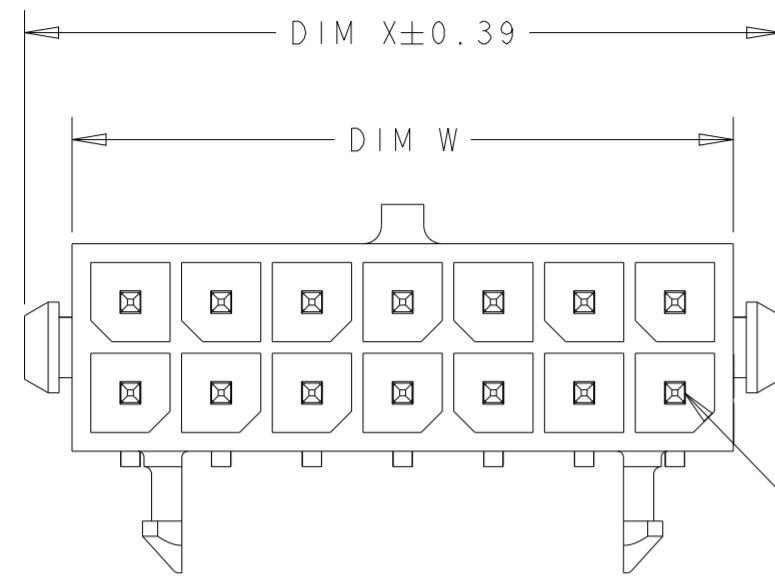


REVISIONS					
P	LTR	DESCRIPTION	DATE	DWN	APVD
G5		REVISED PER ECN-23-240910	24NOV2023	WLS	VS
G6		REVISED PER ECN-24-279340	15AUG2024	WLS	JP
H		REVISED PER ECN-25-323497	28MAY2025	WLS	JP



- 1 MATERIAL: HOUSING - UL 94V-0 RATED HIGH TEMP NYLON, COLOR BLACK.
CONTACTS - BRASS.
- 2 DIMENSION APPLIES TO SOLDER TAIL SURFACES AND STANDOFF SURFACES.
- 3 RECOMMENDED PC BOARD THICKNESS OF 1.57.
- 4 ALL SOLDER TAILS.
- 5 PLATING: CONTACTS - 0.38µm MINIMUM GOLD,
OR
0.0762µm MINIMUM GOLD FLASH OVER 0.31µm MINIMUM PALLADIUM NICKEL,
ON MATING AREA PER TE CONNECTIVITY'S DISCRETION,
2.54µm MINIMUM MATTE TIN ON SOLDER TAILS.
ALL OVER 1.27µm MINIMUM NICKEL.
- 6 COUNTERPART RECOMMENDED IS PN 794617 (DASH ACCORDING TO NUMBER OF POSITION).
- 7 FOR REELING DIRECTION AND PACKAGING TYPE, SEE SPECIFICATION 114-13000.

OBSOLETE	36.86	28.70	33.00	40.00	24	5-794622-4
OBSOLETE	33.86	25.70	30.00	37.00	22	5-794622-2
OBSOLETE	30.86	22.70	27.00	34.00	20	5-794622-0
OBSOLETE	27.86	19.70	24.00	31.00	18	4-794622-8
OBSOLETE	24.86	16.70	21.00	28.00	16	4-794622-6
OBSOLETE	21.86	13.70	18.00	25.00	14	4-794622-4
OBSOLETE	18.86	10.70	15.00	22.00	12	4-794622-2
	15.86	7.70	12.00	19.00	10	4-794622-0
OBSOLETE	12.86	4.70	9.00	16.00	8	3-794622-8
OBSOLETE	9.86	-	6.00	13.00	6	3-794622-6
OBSOLETE	6.86	-	3.00	10.00	4	3-794622-4
	3.86	-	-	7.00	2	3-794622-2
	DIM W	DIM Y	DIM Z	DIM X	NO. OF POSN.	PART NUMBER

THIS DRAWING IS A CONTROLLED DOCUMENT.		DWN K. WHITAKER 28 JAN 2002	TE Connectivity			
DIMENSIONS: mm		CHK C. JONES 28 JAN 2002				
TOLERANCES UNLESS OTHERWISE SPECIFIED:		APVD C. JONES 28 JAN 2002	NAME SMT, R/A, 0.38Au or 0.31PdNi, HDR PLASTIC BOARDLOCK, DUAL ROW, MICRO MATE-N-LOK (TM)			
0 PLC ± 1 PLC ± 2 PLC ±0.20 3 PLC ± 4 PLC ± ANGLES ±1° FINISH		PRODUCT SPEC 108-1836	SIZE A2	CAGE CODE p0779	DRAWING NO. C-794622	RESTRICTED TO
MATERIAL		APPLICATION SPEC 114-13000	WEIGHT -	SCALE 4:1		SHEET 1 OF 2
		CUSTOMER DRAWING		REV H		

