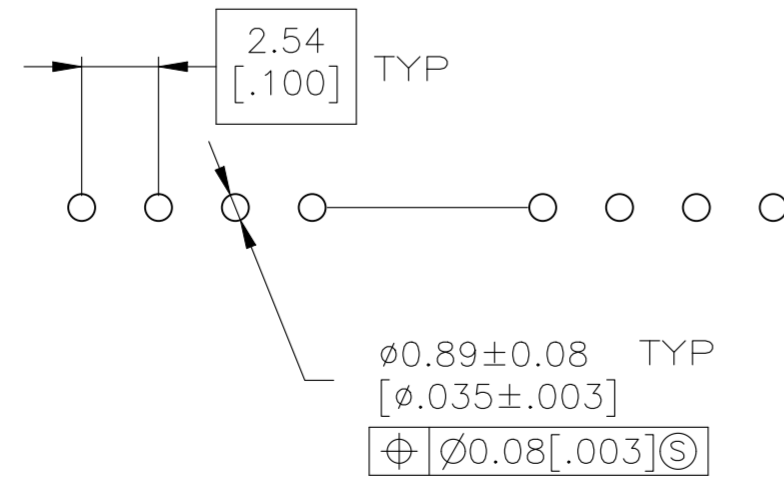
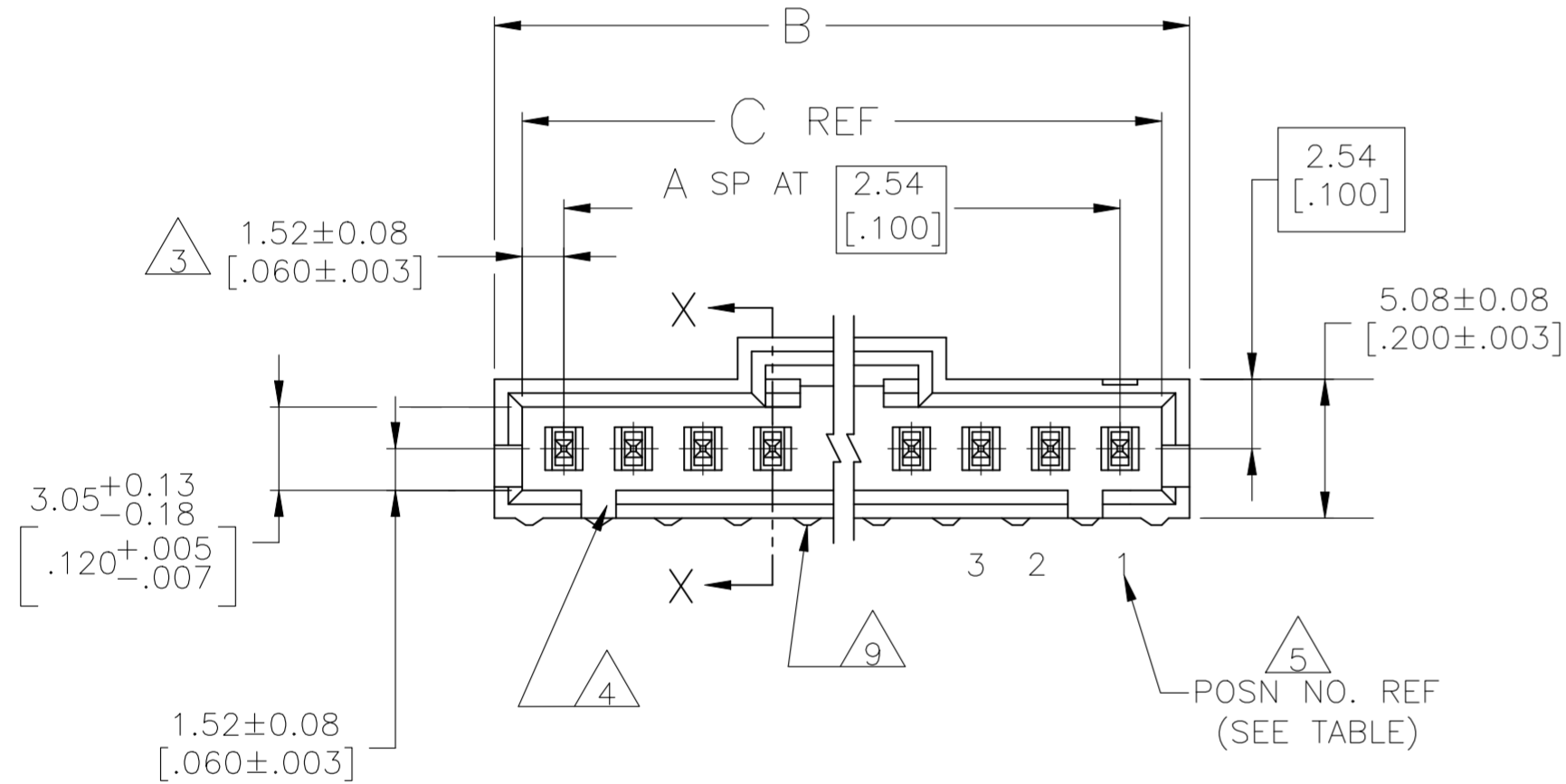
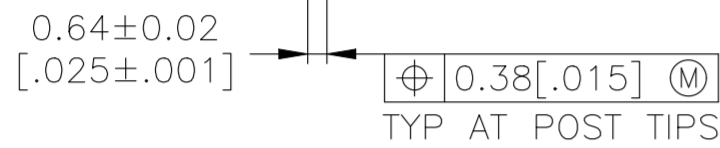
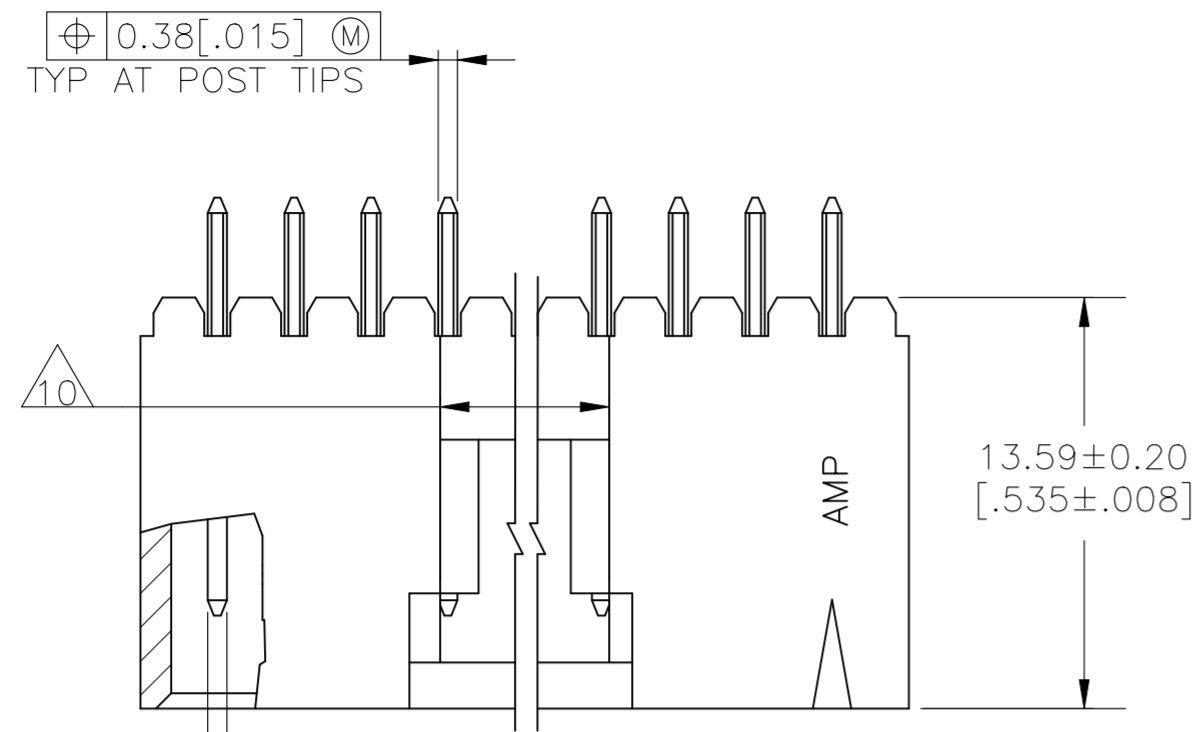
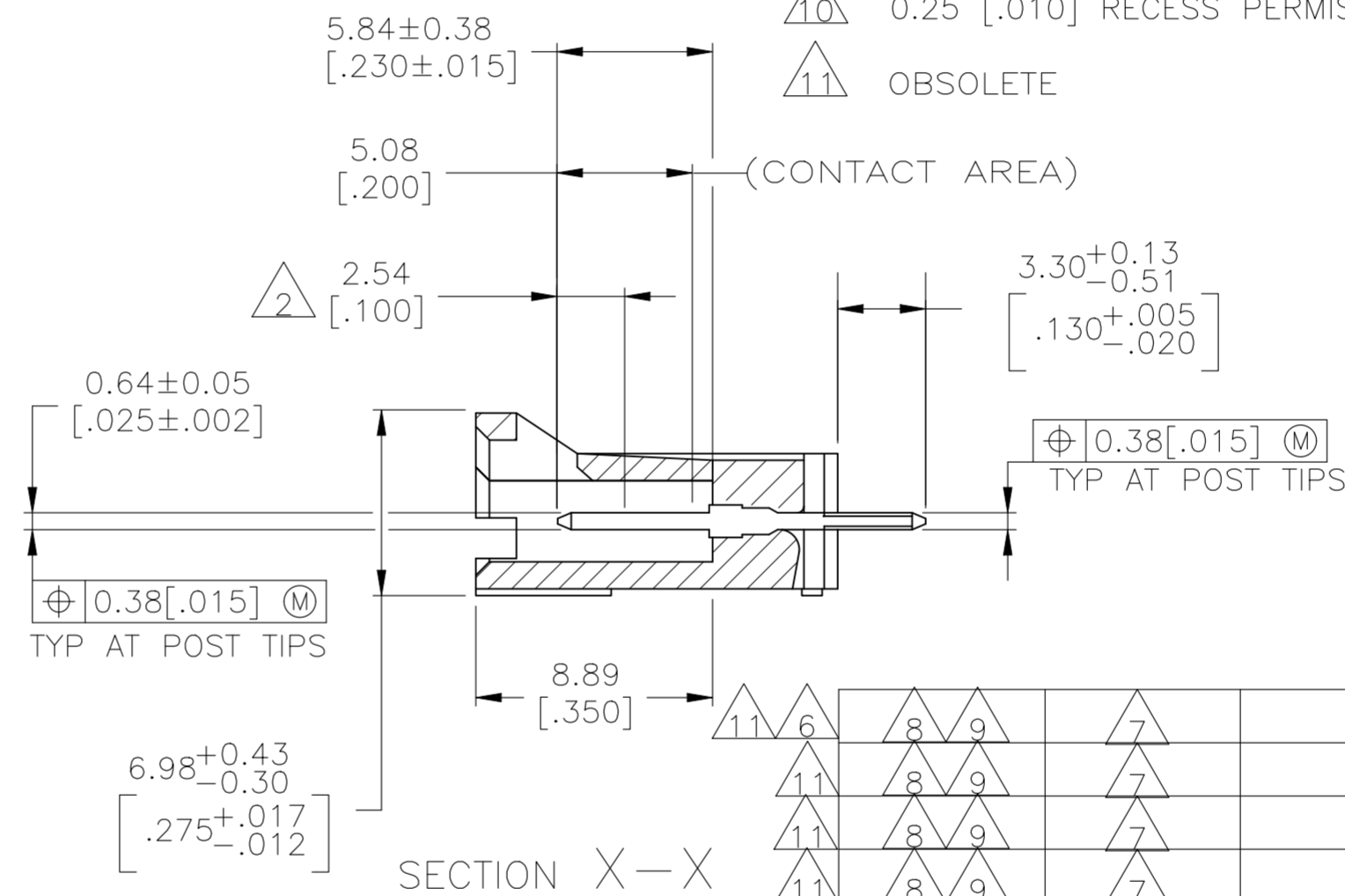


REVISIONS					
P	LTR	DESCRIPTION	DATE	DWN	APVD
K1		ECR-25-239014	11NOV2025	ABS	PS



RECOMMENDED HOLE LAYOUT



- 1 .00254[.000100] BRIGHT TIN-LEAD OVER .00127[.000050] NICKEL.
- 2 POINT OF MEASUREMENT FOR PLATING THICKNESS.
- 3 THE NOTED DIMENSIONS APPLY AT THE INTERSECTION OF THE POST AND THE HOUSING.
- 4 ON ASSEMBLIES WITH FOUR OR MORE POSITIONS, TWO POLARIZATION SLOTS. ON ASSEMBLIES WITH TWO OR THREE POSITIONS, ONE POLARIZATION SLOT.
- 5 POSITION NOTED FOR REFERENCE ONLY.
- 6 PRELIMINARY PART-NOT RELEASED FOR PRODUCTION.
- 7 .00254[.000100] MATTE TIN OVER .00127[.000050] NICKEL.
- 8 HIGH TEMPERATURE CONFIGURATION
- 9 STANDOFFS NOT PRESENT ON UNDERSIDE OF ASSEMBLY
- 10 0.25 [.010] RECESS PERMISSIBLE IN THIS AREA FOR MOLD SHUT OFF
- 11 OBSOLETE

REMARKS	PLATING	POSITIONS OMITTED	C	B	A	NO. OF POSN	PART NO.
SUPERSEDED BY 5-147969-1	11 6	8 9	7	16	48.77 [1.920]	50.67 [1.995]	18 19 5-147969-5
	11 6	8 9	7	17	48.77 [1.920]	50.67 [1.995]	18 19 5-147969-4
	11 6	8 9	7	10	28.45 [1.120]	30.35 [1.195]	10 11 5-147969-3
	11 6	8 9	7	19	51.31 [2.020]	53.21 [2.095]	19 20 5-147969-2
	11 6	8 9	7	2	8.13 [.320]	10.03 [.395]	2 3 5-147969-1
	11 6	8	1	18	51.31 [2.020]	53.21 [2.095]	19 20 147969-6
	11 6	8	1	16	48.77 [1.920]	50.67 [1.995]	18 19 147969-5
	11 6	8	1	17	48.77 [1.920]	50.67 [1.995]	18 19 147969-4
	11 6	8	1	10	28.45 [1.120]	30.35 [1.195]	10 11 147969-3
	11 6	8	1	19	51.31 [2.020]	53.21 [2.095]	19 20 147969-2
	11 6	8	1	2	8.13 [.320]	10.03 [.395]	2 3 147969-1

THIS DRAWING IS A CONTROLLED DOCUMENT.

DWN: R.BROWN	10SEP01	 TE Connectivity	NAME: HDR ASSY, VERT, SINGLE ROW 2.54[.100] CL, 0.64[.025] SQ POST, WITH PLZN & LATCHING, AMPMODU MTE		
CHK: K.WRIGHT	10SEP01				
APVD: K.WRIGHT	10SEP01				
PRODUCT SPEC: 108-25034					
MATERIAL: HOUSING: FLAME RETARDANT LCP; COLOR-BLACK; CONTACTS:BRASS	FINISH: SEE TABLE	SIZE: A2	CAGE CODE: 00779	DRAWING NO: C=147969	RESTRICTED TO: -
CUSTOMER DRAWING		SCALE: 4:1	SHEET: 1 OF 1	REV: K1	