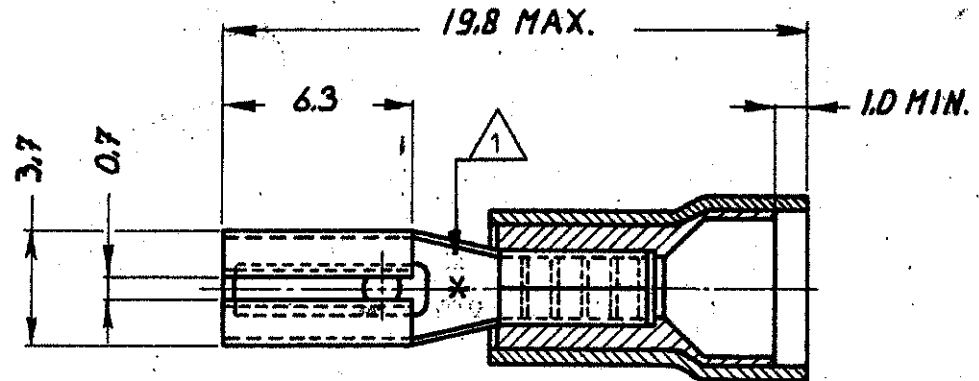


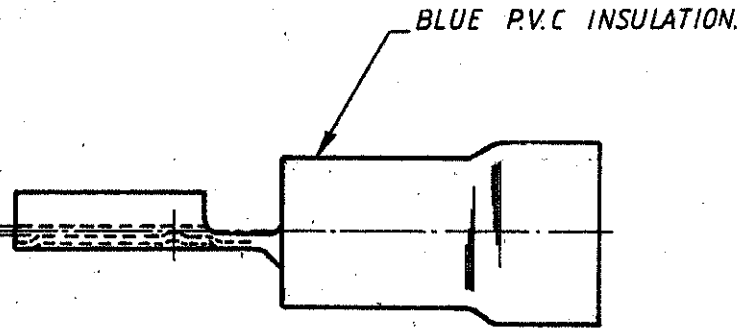
NUMBER C-165617

DRAWING MADE IN AMERICAN PROJECTION

REVISIONS		DATE	DWN	APVD
P	LTR	DESCRIPTION		
G2		REVISED PER ECR-22-154249	22FEB2023	LP DSC



FITS 0.8 TAB THK.



- ① ASTERISK * FOR PH.BRONZE VERSION ONLY.
- ** FOR WIRES I.D UP TO 1.5 mm² CONTACT AMP
- ③ OBSOLETE W/O REPLACEMENT

2-165617-5	165617-5	TAPE MOUNTED
2-165617-2	165617-2	TAPE MOUNTED
③ 165617-4	PH. BRONZE	GOLD
③ 165617-6	PH. BRONZE	SILVER
165617-5	PH. BRONZE	TIN
③ 165617-4	BRASS	GOLD
③ 165617-3	BRASS	SILVER
③ 165617-2	BRASS	TIN

CUSTOMER COPY FOR REFERENCE ONLY

©1981 BY AMP-HOLLAND N.V. ALL RIGHTS RESERVED A-MP PRODUCTS COVERED BY PATENTS AND/OR PATENTS PENDING.



TE Connectivity

WIRE-RANGE	INSUL.-RANGE	FIRST USED
1.5-2.5 mm ² **	4.3mm. MAX.	

PART NUMBER	MATERIAL	PLATING
DR	DATE	DE
B. WILLEMSSEN	NOV. 81	
CHK	DATE	APP
B. Jans	18-11-81	
	DATE	
	19-11-81	

SCALE	SIZE	NO	REV
N.O.S.	A	C-165617	G2
NAME			
110 SERIES PIDG FASTON RECEPTACLE			

DIMENSIONS IN M.M. DO NOT SCALE PRINT