

This document is the property of Amphenol Corporation and is delivered on the express condition that is not to be disclosed, reproduced or used, in whole or in part, for manufacture or sale by anyone other than Amphenol Corporation without its prior consent, and that no right is granted to disclose or to use any information in this document.

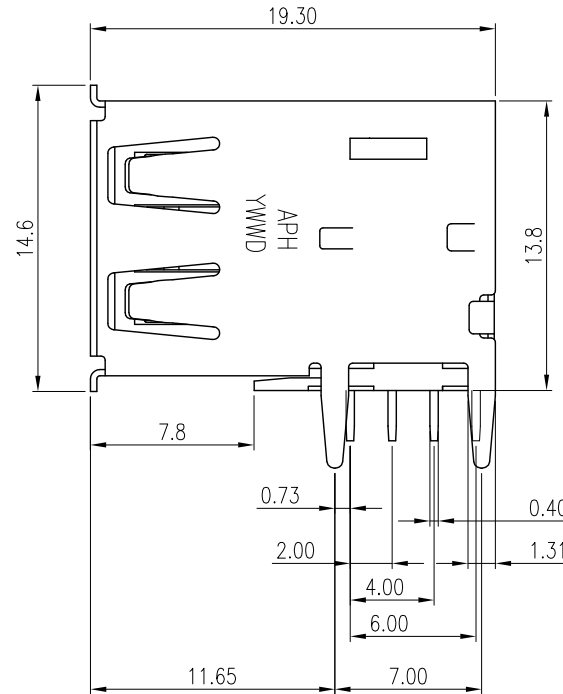
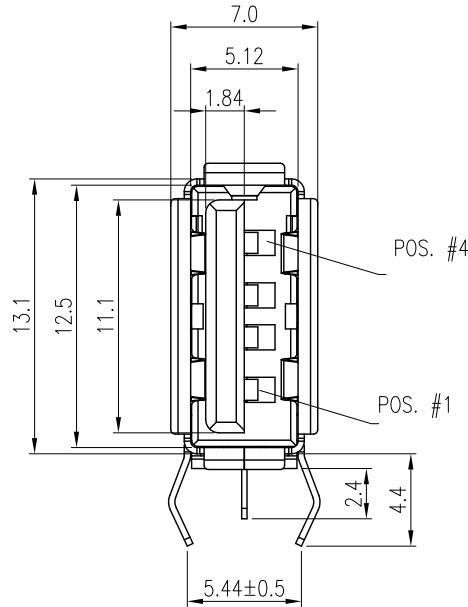
The marking on this product doesn't contain environmental hazardous materials per Material Specification SS-00259 for Sony GP compliant or per directive 2011/65/EU for RoHS compliant.



ORIGINAL



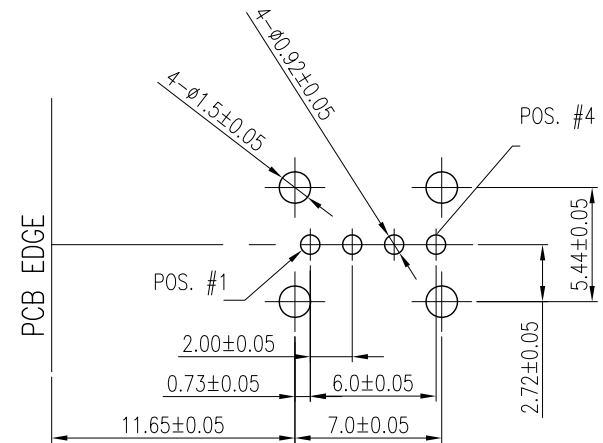
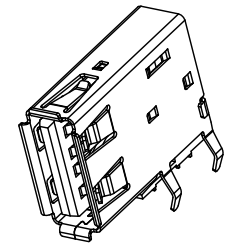
REVISIONS				
SYM	ECN No.	DESCRIPTION	DATE	APPROVED
A	NE-16086	RELEASE TO PRODUCTION	04/15/2016	Arron Lin



PART NUMBER
GSB 191 X X KHR

COLOR OF INSULATOR
0: HTN, IVORY (NATURAL)
1: HTN, BLACK
3: HTN, BLUE (PANTONE 285C)

CONTACT FINISH
1: GOLD FLASH
2: 30μ" GOLD
5: 15μ" GOLD



NOTES:

- HOUSING & BOTTOM COVER: HALOGEN FREE , UL94V-0, COLOR-OPTIONS.
- CONTACT: PHOSPHOR BRONZE, 0.25 MM THICKNESS SELECTIVE GOLD PLATED ON CONTACT AREA, 100μ" MIN. TIN PLATED ON SOLDERING AREA, 50μ" MIN. NICKEL UNDER-PLATING OVERALL
- SHELL: BRASS, 0.3 MM THICKNESS, 50μ" MIN. NICKEL PLATED OVERALL
- REAR SHELL: SPCC, 0.3 MM THICKNESS, 50μ" MIN. NICKEL PLATED OVERALL
- THIS PRODUCT DOESN'T CONTAIN ENVIRONMENTAL HAZARDOUS MATERIALS PER DIRECTIVE 2011/65/EU FOR RoHS.
- THE LABEL MARKED WITH Amphenol P/N MUST BE ATTACHED ON PE BAG, TRAY, REEL, INNER BOX OR CARTON, PER Amphenol PACKING SPEC PKS-0001

TOLERANCE	APPROVALS	DATE	TITLE	UNIT	SIZE	PART No.
X. ±0.30	DRAWN Debby Hung	04/15/2016	UNIVERSAL SERIAL BUS RECEPTACLE, SERIES A UPRIGHT PCB MOUNT	mm	A3	GSB191XXKHR
X.X ±0.20	CHECKED Roger Tsai	04/15/2016				
X.XX ±0.10	APPROVED Arron Lin	04/15/2016		NA	SHEET 1 OF 2	GSB191XXKHR
ANGULAR ±1°	DWG TYPE CUST DWG	PROJECT CODE OTHER				
UNLESS OTHERWISE SPECIFIED						REV. A

Amphenol[®]
Amphenol Corporation
Amphenol Taiwan Corporation

This document is the property of Amphenol Corporation and is delivered on the express condition that is not to be disclosed, reproduced or used, in whole or in part, for manufacture or sale by anyone other than Amphenol Corporation without its prior consent, and that no right is granted to disclose or to use any information in this document.

The marking on this product doesn't contain environmental hazardous materials per Material Specification SS-00259 for Sony GP compliant or per directive 2011/65/EU for RoHS compliant.

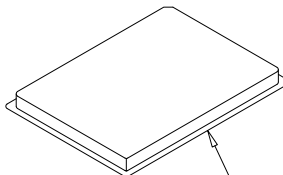
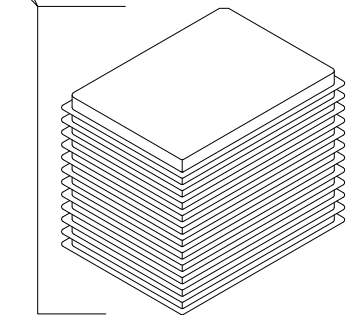


ORIGINAL



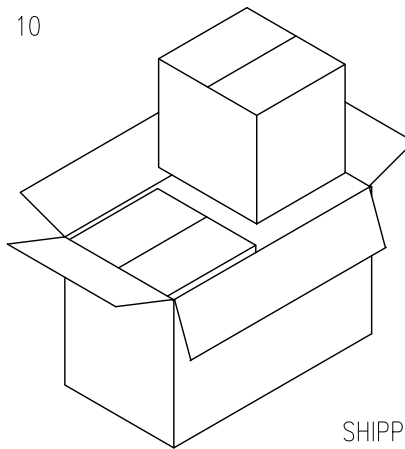
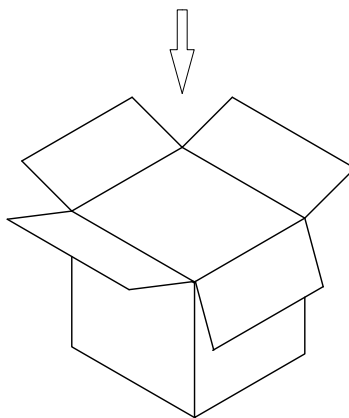
REVISIONS				
SYM	ECN No.	DESCRIPTION	DATE	APPROVED
A	NE-16086	RELEASE TO PRODUCTION	04/15/2016	Arron Lin

26 PCS TRAY/CARTON

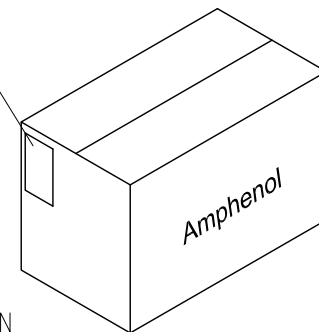


80 PCS/TRAY

TRAY SIZE: 232 X 220 X 10



LABEL



SHIPPING CARTON DIMENSION
520 X 273 X 310 MM

PART NUMBER	G/W <KG>	N/W <KG>	PARTS PER CARTON <S.P.Q>	PARTS PER TRAY	TOTEL TYAYS PER CARTON
GSB191XXKHR	15.2	10.8	4160	80	52

TOLERANCE		APPROVALS	DATE	TITLE		UNIVERSAL SERIAL BUS RECEPTACLE, SERIES A UPRIGHT PCB MOUNT		Amphenol® Amphenol Corporation Amphenol Taiwan Corporation					
X.		DRAWN	04/15/2016			UNIT	mm	SIZE	A3	PART No.	GSB191XXKHR		
X.X	±0.30	CHECKED	04/15/2016			SCALE	NA	SHEET	2 OF 2	DWG No.	GSB191XXKHR	REV.	A
X.XX	±0.20	APPROVED	04/15/2016			UNLESS OTHERWISE SPECIFIED		DWG TYPE		CUST DWG	PROJECT CODE		OTHER
X.XXX	±0.10												