

PRODUCT NUMBER  
10076801-YXX-XXLF

PLATING  
(AS AVAILABLE)

1= 0.76µm GOLD/GXT ON CONTACT AREA, 2µm TIN MIN ON TAILS

4= 2.0µm TIN MIN FULL PLATED

8= 0.38µm GOLD/GXT ON CONTACT AREA, 2µm TIN MIN ON TAILS

1.27µm NICKEL MIN UNDERLAYER FOR ALL PLATING VERSIONS

LEAD FREE & RoHS COMPATIBLE  
SEE NOTE 7

TOTAL NB OF POS  
04 TO 72

PACKAGING, SEE NOTE 3  
(MAY BE SUBJECT TO TOOLING FEES)

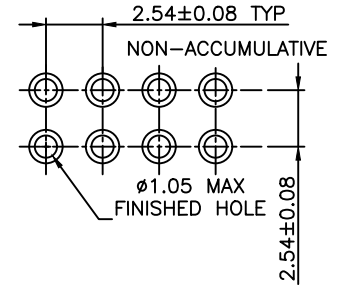
PIN STYLE, SEE TABLE  
(AS AVAILABLE)

PIN STYLE	POST	SOLDER
01	5.84	2.50
04	6.75	3.00
05	7.70	3.00
06	8.20	3.00
07	10.50	3.20
08	9.10	3.00
09	5.84	2.00

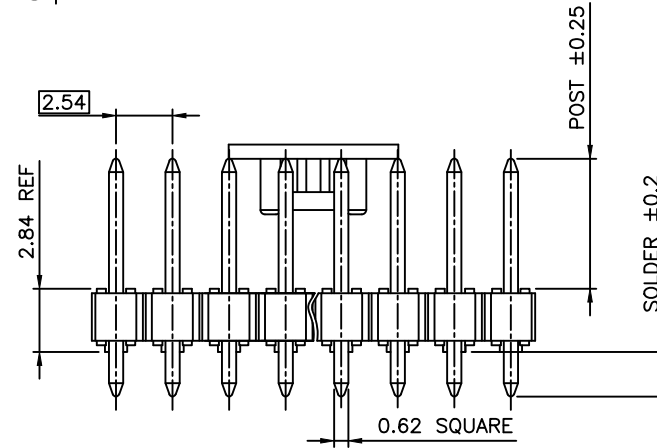
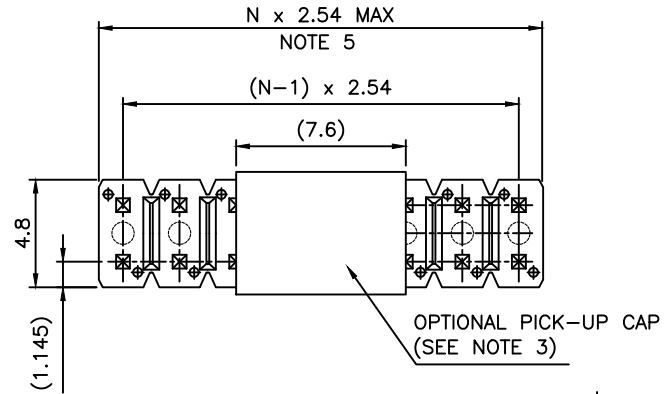
**EXTENDED RANGE**

- TOOLING FEASIBILITY CONFIRMED
- SAMPLES ON DEMAND
- AVAILABILITY ON DEMAND

FOR OPTIMAL SERVICE,  
PLEASE CONSIDER OUR PREFERRED PART SERIE:  
77313  
ON STANDARD CONFIGURATIONS.



RECOMMENDED HOLE PATTERN  
1.6 mm THICK PCB DESIGN  
RECOMMENDATION AS PER TA-897



NOTES:

- HOUSING MATERIAL: HIGH TEMPERATURE THERMOPLASTIC. UL94V-0 COLOR: BLACK
- PIN MATERIAL: PHOSPHOR BRONZE

3. PACKAGING OPTIONS:

- = POLYBAGS
- A = TAPE & REEL WITH CAP, AS AVAILABLE
- T = IN TUBE WITHOUT PICK-UP CAP ONLY AVAILABLE UPON REQUEST

4. 9N MIN RETENTION IN EITHER DIRECTION

5. TO DETERMINE DIMENSIONS :  
N = NUMBER OF POSITIONS PER ROW  
EXAMPLE : 8 POS N x 2.54 = 20.32mm

6. UNDERPLATING : 1.27µm Ni MIN

7. RoHS COMPLIANT & COMPATIBLE PRODUCT SPECIFICATIONS

a - PLATING:

- "LF" MEANS THE PRODUCT IS LEAD-FREE, 2µm MINIMUM MATTE TIN OVER 1.27µm MINIMUM NICKEL UNDERPLATE.

b - MANUFACTURING PROCESS COMPATIBILITY

- THE HOUSING WILL WITHSTAND EXPOSURE TO 260°C PEAK TEMPERATURE FOR 30 SECONDES IN A CONVECTION, INFRA-RED OR VAPOR PHASE REFLOW OVEN.

c - LABELING:

- MEETS PACKAGING SPECS AS PER GS-14-920

d - LEGAL STATEMENT: SEE GS-47-0004

8. THIS PART SERIES IS NOT INITIALLY INTENDED FOR AUTOMOTIVE APPLICATIONS. ADDITIONAL FEES ARE CHARGEABLE FOR ANY ADDITIONAL QUALIFICATION AND TEST REPORTS PERFORMED OUTSIDE THE SCOPE OF THE STANDARD PRODUCT SPECIFICATIONS.

9. UNLESS OTHERWISE APPROVED BY AMPHENOL, ALL PARTS AND COMPONENTS ARE DESIGNED & BUILT ACCORDING TO AMPHENOL'S SPECIFICATIONS WHICH ARE SUBJECT TO CHANGE WITHOUT NOTICE.

mat'l. code		surface		tolerance		projection		product family	
SEE NOTES		ISO 1302		ISO 406 ISO 1101		mm		BERGSTIK	
ltr	ecn no	dr	date	tolerances unless otherwise specified		mm		title	
H	F-285119	DDE	26.04.02	angles	linear	mm		UNSHR.HEADER DR STR PIN IN PASTE	
C	B-17101	JCO	14.03.04			scale 5:1		dwg no sheet 1 of 1 size	
D	B-18988	LMU	14.10.06	dr	L.MULIN	07.02.21		10076801 A3	
E	F-23186	AMA	16.02.01	engr	J.COMPAGNON	07.02.21		type CUSTOMER Drawing	
F	F-47112	DDE	23.01.25	chr	P.NIZZI	07.10.22			
G	F-55061	DDE	25.03.20	appd	J.COMPAGNON	07.02.21			
sheet	revision								
index	sheet								