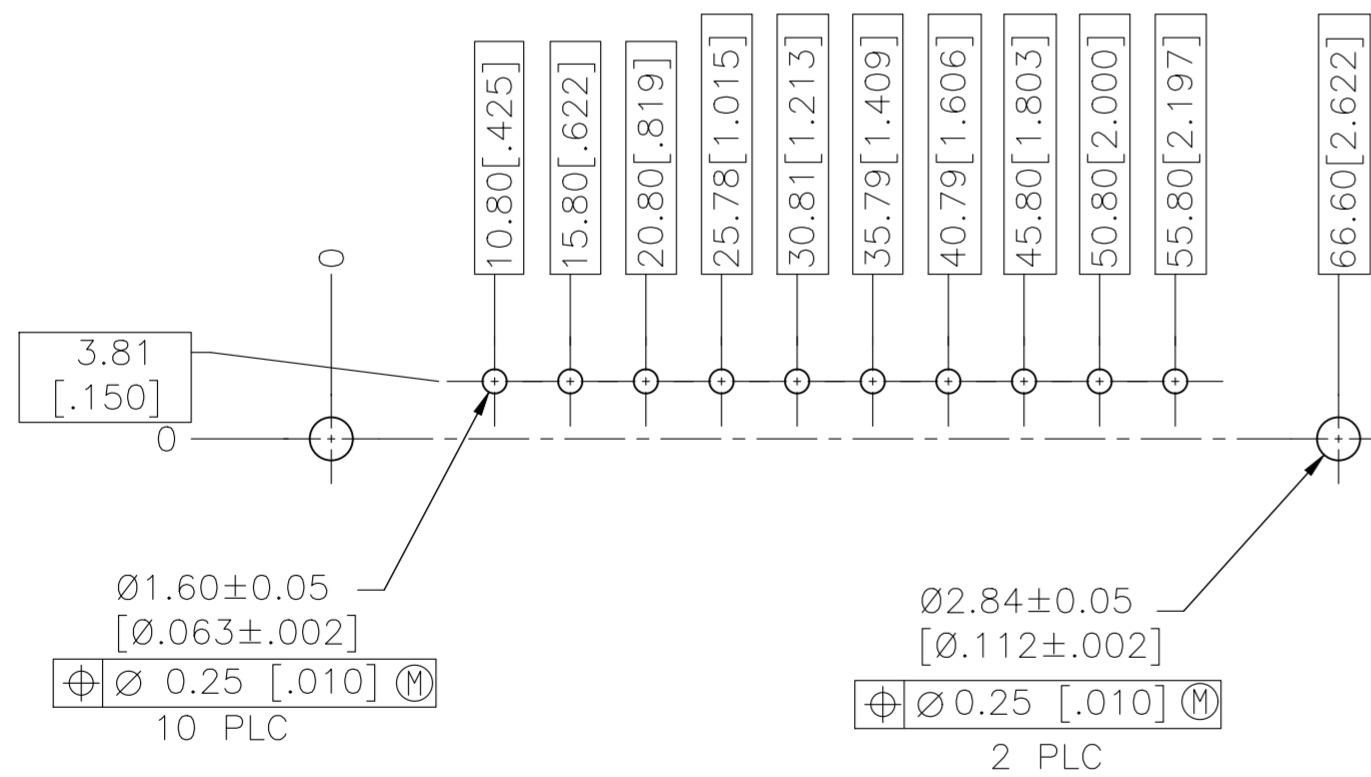
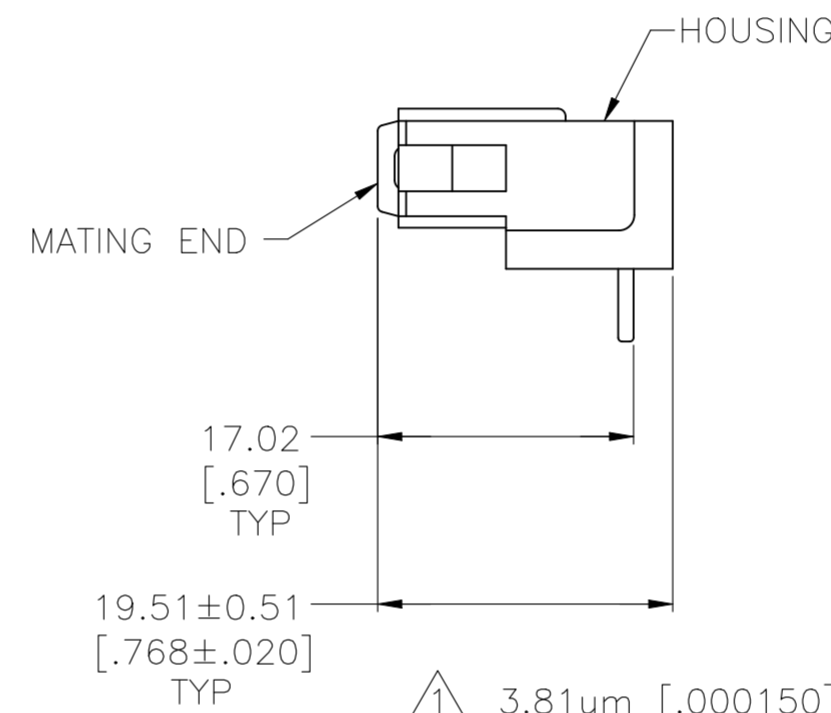
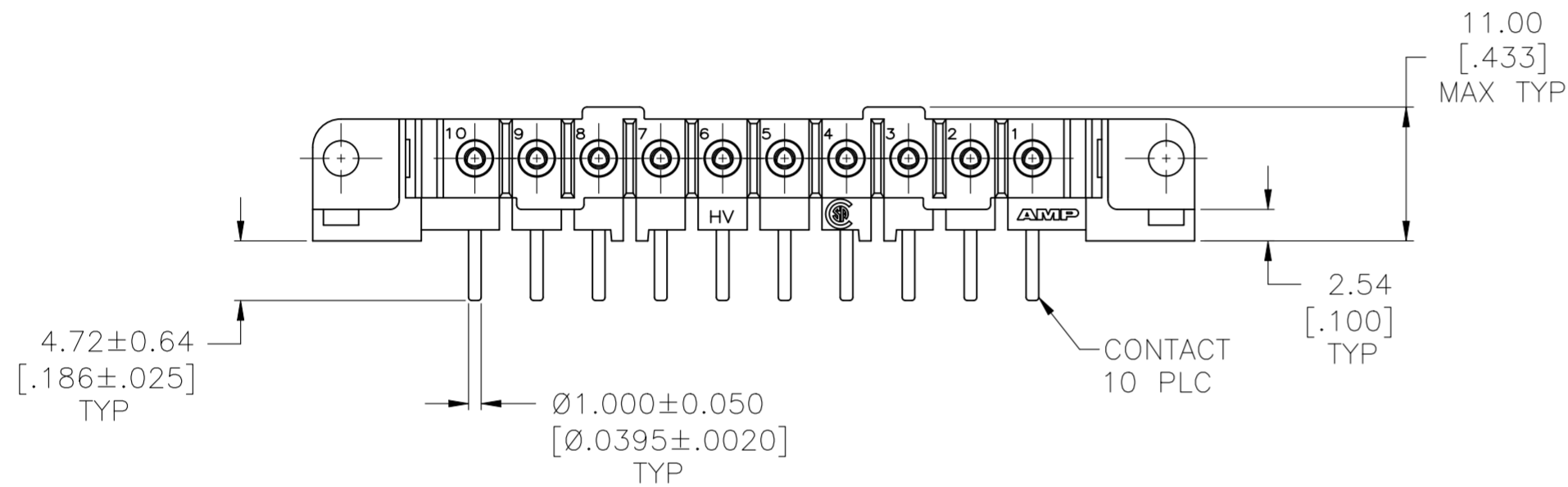
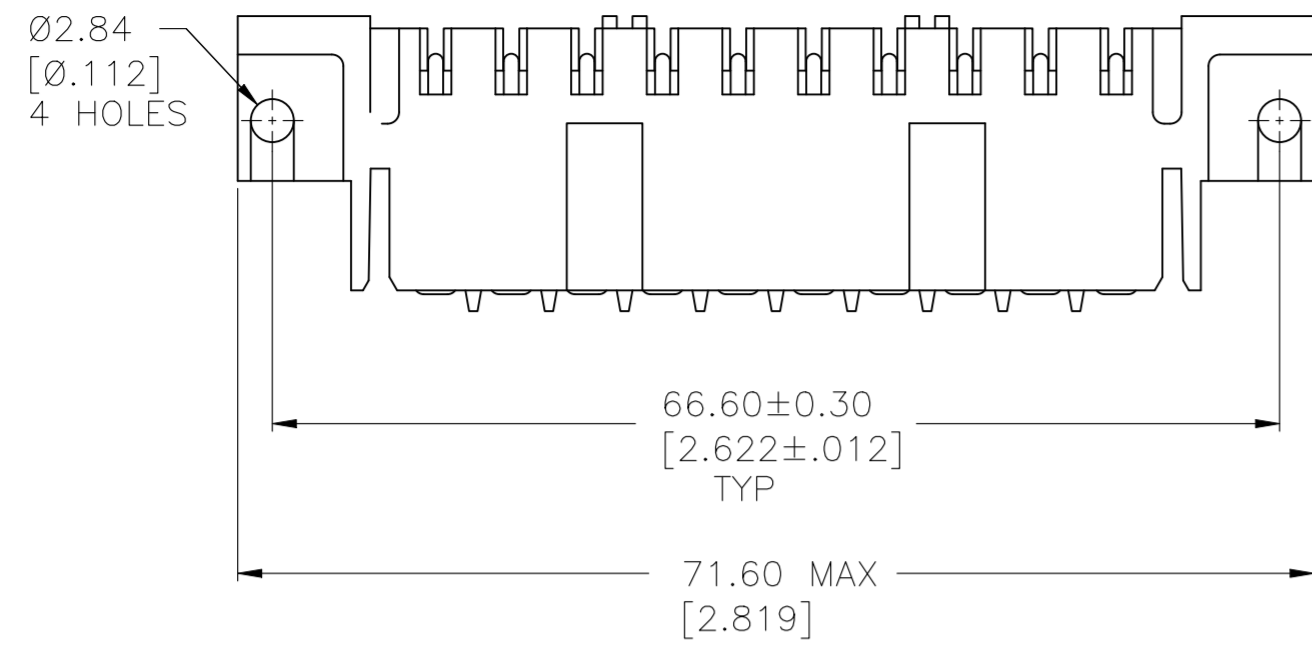


REVISIONS					
P	LTR	DESCRIPTION	DATE	DWN	APVD
M		REVISED PER ECR-24-213594	02JUL2024	RK	FJS



RECOMMENDED PC BOARD LAYOUT

- ① 3.81um [.000150] MIN TIN-LEAD OVER 0.76um [.000030] MIN NICKEL.
- ② 0.76um [.000030] MIN GOLD FOR A LENGTH OF 5.08 [.200] MIN FROM MATING END, 3.81um [.000150] MIN TIN-LEAD FOR A LENGTH OF 5.23 [.206] MIN FROM OPPOSITE END, BOTH OVER 1.27um [.000050] MIN NICKEL.
- ③ 3.81um [.000150] MIN TIN OVER 0.76um [.000030] MIN NICKEL.
- ④ 0.76um [.000030] MIN PRECIOUS METAL PLATE FOR A LENGTH OF 5.08 [.200] MIN FROM MATING END, 3.81um [.000150] MIN TIN FOR A LENGTH OF 5.23 [.206] MIN FROM OPPOSITE END, BOTH OVER 1.27um [.000050] MIN NICKEL.
- ⑤ HOUSING MATERIAL: PA66, BLACK, UL 94 V-0 RATED.
- ⑥ CONTACT HOOD: STAINLESS STEEL  
CONTACT BODY: PHOSPHOR BRONZE

	④	207612-7
	③	207612-6
OBSOLETE	②	207612-3
OBSOLETE	①	-207612-1
	CONTACT FINISH	PART NUMBER

THIS DRAWING IS A CONTROLLED DOCUMENT.		DWN	L.SIPE	08/06/92	TE Connectivity	
DIMENSIONS: mm [INCHES]		CHK	J.McCLINTON	8-11-92	SOCKET HEADER ASSEMBLY, 10 POSN, IN-LINE, METRIMATE	
TOLERANCES UNLESS OTHERWISE SPECIFIED:		APVD	-	-	SIZE	A2
0 PLC	± -	PRODUCT SPEC	108-10033	CAGE CODE	00779	DRAWING NO
1 PLC	± -	APPLICATION SPEC	-	RESTRICTED TO	-	-
2 PLC	± 0.25 [.010]	WEIGHT	-	SCALE	2:1	SHEET
3 PLC	± -	CONTACTS: SEE TABLE	-	1 of 1	REV	M
4 PLC	± -					
ANGLES	± -					