

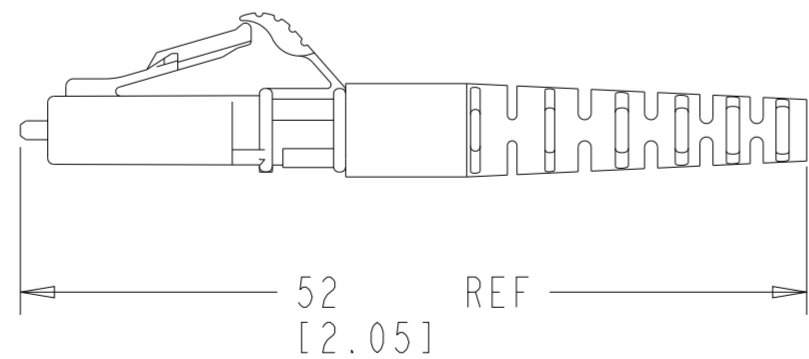
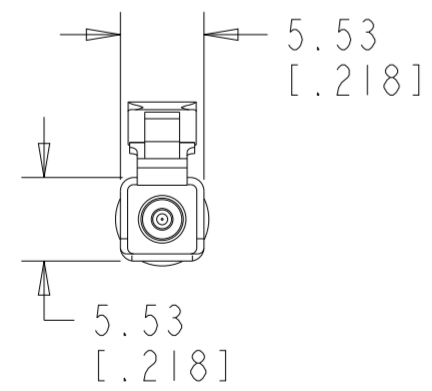
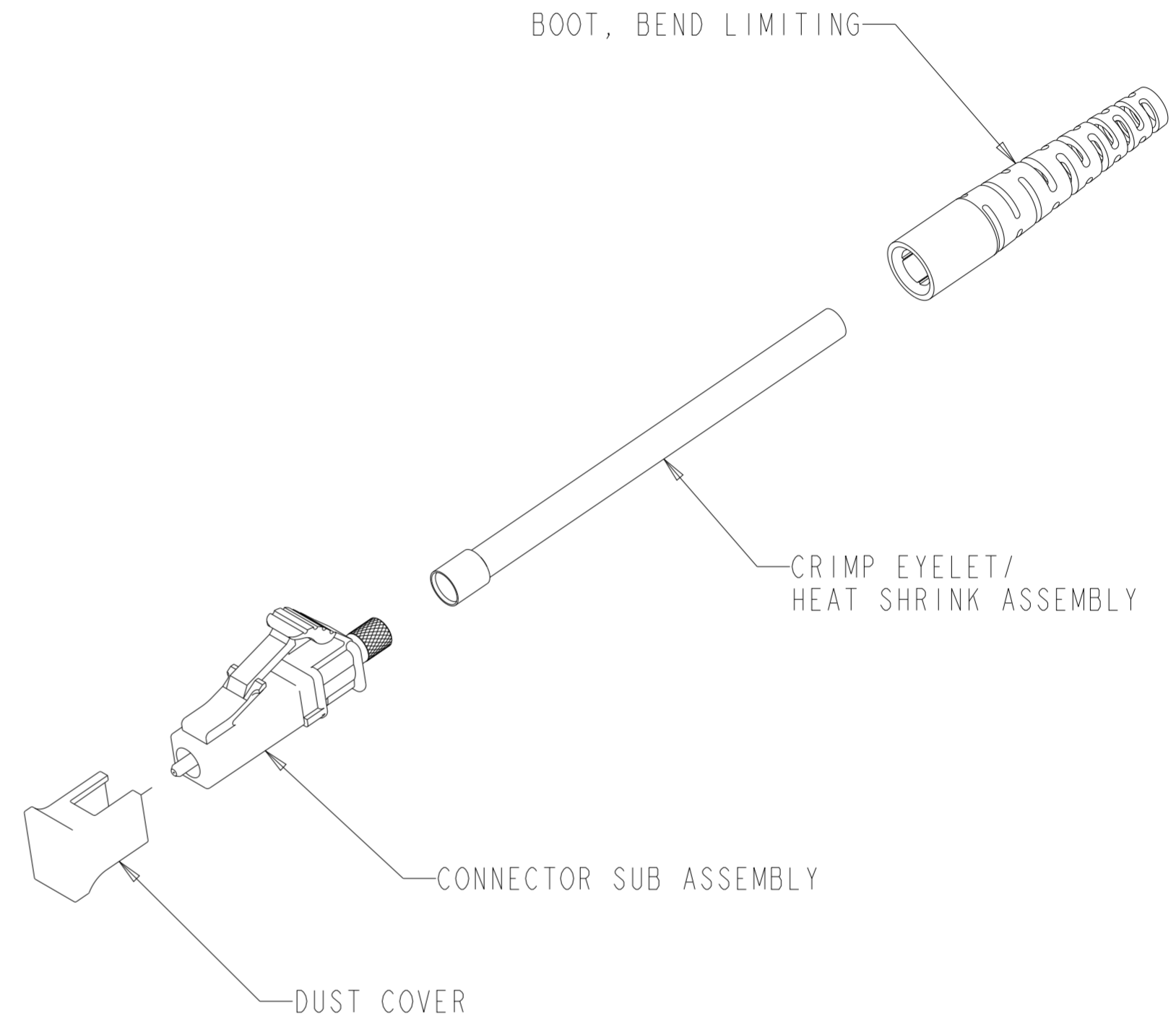
THIS DRAWING IS UNPUBLISHED. RELEASED FOR PUBLICATION 20  
 © COPYRIGHT 20 BY TYCO ELECTRONICS CORPORATION. ALL RIGHTS RESERVED.

LOC	DIST	REVISIONS					
CE	00	P	LTR	DESCRIPTION	DATE	DWN	APVD
		A		ECO-07-016319	17JUL2007	DHR	DHR
		B		REV PER ECR-10-010066	20MAY2010	IL	CT
		C		ECO-18-010753	12NOV2021	CG	DHR

- 1 MATERIAL: PROTECTIVE COVER: TPE, COLOR:BLACK, UL 94 HB. \*
- FERRULE SUB ASSEMBLY: ZIRCONIA/ALUM ALLOY.
- COMPRESSION SPRING: STAINLESS STEEL.
- FRONT HOUSING: PPSU, COLOR:BEIGE, UL 94 V-0. \*
- REAR BODY: ALUM ALLOY.
- BOOT: PP, COLOR:BEIGE, UL 94 V-0. \*
- CRIMP EYELET/HEAT SHRINK ASSY: ALUM. ALLOY, HEAT SHRINK: POLYOLEFIN, UL VW-1.
- \*RATED AT QUALIFYING THICKNESS.

2 BULK PACKAGED

3. THIS IS A NON-PULL PROOF LC CONNECTOR.  
 IT IS DESIGNED FOR USE WITH TIGHT CONSTRUCTION OPTICAL CABLE.  
 UNDER LOADS YOU MAY SEE ENDFACE ABRASIONS.



2	6828094-2
	6828094-1
PART NUMBER	

THIS DRAWING IS A CONTROLLED DOCUMENT FOR TYCO ELECTRONICS CORPORATION. IT IS SUBJECT TO CHANGE AND THE CONTROLLING ENGINEERING ORGANIZATION SHOULD BE CONTACTED FOR THE LATEST REVISION.		DWN E HALEY 14OCT2005	Tyco Electronics Harrisburg, PA 17105-3608	
DIMENSIONS: mm [ INCHES ]		CHK D ROHDE 14OCT2005	NAME CONNECTOR KIT, LC, SIMPLEX MM, JUMPER, TIGHT JACKET STYLE, 1.6-2.0mm	
TOLERANCES UNLESS OTHERWISE SPECIFIED: 0 PLC ± 1 PLC ±0.1/[.004] 2 PLC ±0.01/[.0004] 3 PLC ± 4 PLC ± ANGLES ± FINISH		APVD D ROHDE 14OCT2005	RESTRICTED TO	
MATERIAL		PRODUCT SPEC -	SIZE A2	CAGE CODE 00779
-		APPLICATION SPEC -	DRAWING NO C-6828094	REV C
-		WEIGHT -	SCALE 3:1 SHEET 1 OF 1	
-		CUSTOMER DRAWING		