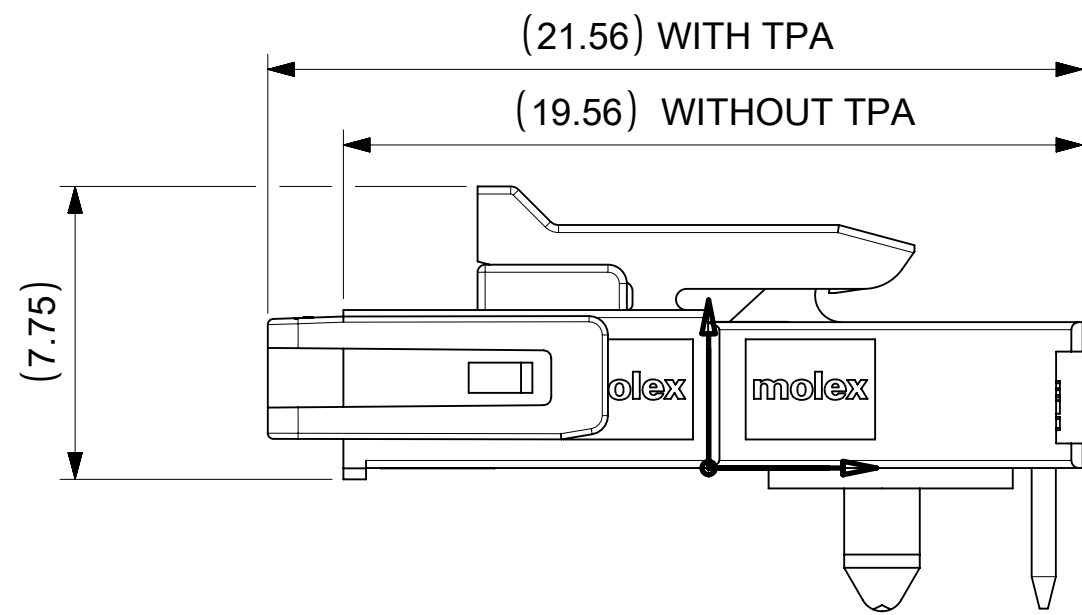


TIN PLATING			
CIRCUIT	PART NUMBER	POLARIZATION	COLOR
2	2157601002	A	BLACK
	2157601012	B	NATURAL
	2157601022	C	RED
	2157601032	D	BLUE
	2157601042	E	YELLOW
3	2157601003	A	BLACK
	2157601013	B	NATURAL
	2157601023	C	RED
	2157601033	D	BLUE
	2157601043	E	YELLOW
4	2157601004	A	BLACK
	2157601014	B	NATURAL
	2157601024	C	RED
	2157601034	D	BLUE
	2157601044	E	YELLOW
5	2157601005	A	BLACK
	2157601015	B	NATURAL
	2157601025	C	RED
	2157601035	D	BLUE
	2157601045	E	YELLOW
6	2157601006	A	BLACK
	2157601016	B	NATURAL
	2157601026	C	RED
	2157601036	D	BLUE
	2157601046	E	YELLOW
7	215760-1007	A	BLACK
	2157601017	B	NATURAL
	2157601027	C	RED
	2157601037	D	BLUE
	2157601047	E	YELLOW
8	215760-1008	A	BLACK
	2157601018	B	NATURAL
	2157601028	C	RED
	2157601038	D	BLUE
	2157601048	E	YELLOW

15 MICROINCH GOLD			
CIRCUIT	PART NUMBER	POLARIZATION	COLOR
2	2157602002	A	BLACK
	2157602012	B	NATURAL
	2157602022	C	RED
	2157602032	D	BLUE
	2157602042	E	YELLOW
3	2157602003	A	BLACK
	2157602013	B	NATURAL
	2157602023	C	RED
	2157602033	D	BLUE
	2157602043	E	YELLOW
4	2157602004	A	BLACK
	2157602014	B	NATURAL
	2157602024	C	RED
	2157602034	D	BLUE
	2157602044	E	YELLOW
5	2157602005	A	BLACK
	2157602015	B	NATURAL
	2157602025	C	RED
	2157602035	D	BLUE
	2157602045	E	YELLOW
6	2157602006	A	BLACK
	2157602016	B	NATURAL
	2157602026	C	RED
	2157602036	D	BLUE
	2157602046	E	YELLOW
7	215760-2007	A	BLACK
	2157602017	B	NATURAL
	2157602027	C	RED
	2157602037	D	BLUE
	2157602047	E	YELLOW
8	215760-2008	A	BLACK
	2157602018	B	NATURAL
	2157602028	C	RED
	2157602038	D	BLUE
	2157602048	E	YELLOW

30 MICROINCH GOLD			
CIRCUIT	PART NUMBER	POLARIZATION	COLOR
2	2157603002	A	BLACK
	2157603012	B	NATURAL
	2157603022	C	RED
	2157603032	D	BLUE
	2157603042	E	YELLOW
3	2157603003	A	BLACK
	2157603013	B	NATURAL
	2157603023	C	RED
	2157603033	D	BLUE
	2157603043	E	YELLOW
4	2157603004	A	BLACK
	2157603014	B	NATURAL
	2157603024	C	RED
	2157603034	D	BLUE
	2157603044	E	YELLOW
5	2157603005	A	BLACK
	2157603015	B	NATURAL
	2157603025	C	RED
	2157603035	D	BLUE
	2157603045	E	YELLOW
6	2157603006	A	BLACK
	2157603016	B	NATURAL
	2157603026	C	RED
	2157603036	D	BLUE
	2157603046	E	YELLOW
7	2157603007	A	BLACK
	2157603017	B	NATURAL
	2157603027	C	RED
	2157603037	D	BLUE
	2157603047	E	YELLOW
8	2157603008	A	BLACK
	2157603018	B	NATURAL
	2157603028	C	RED
	2157603038	D	BLUE
	2157603048	E	YELLOW



ASSEMBLY VIEW
MATED WITH 215759 SERIES

FUNCTIONAL SYMBOLS	THIS DRAWING CONTAINS INFORMATION THAT IS PROPRIETARY TO MOLEX ELECTRONIC TECHNOLOGIES, LLC AND SHOULD NOT BE USED WITHOUT WRITTEN PERMISSION		CURRENT REV DESC:						
	DIMENSION UNITS	SCALE							
$\frac{F}{A} = 0$	mm	NTS	EC NO: 844069 DRWN: WYATTH5 2025/12/30 CHK'D: XQZHANG 2026/01/13 APPR: XQZHANG 2026/01/13 INITIAL REVISION: DRWN: HPAN18 2020/10/15 APPR: YXZHENG 2021/02/08		MICRO-FIT PLUS RA HEADER ASSEMBLY				
$\frac{E}{C} = 0$	GENERAL TOLERANCES (UNLESS SPECIFIED)				PRODUCT CUSTOMER DRAWING				
$\frac{E}{P} = 0$	ANGULAR TOL ± °				DOCUMENT NUMBER				
DIVISIONAL SYMBOLS	4 PLACES ±				2157600003-SD		DOC TYPE	DOC PART	REVISION
	3 PLACES ±				PSD	000	A5		
	2 PLACES ± 0.25		MATERIAL NUMBER		CUSTOMER		SHEET NUMBER		
	1 PLACE ± 0.36		SEE NOTE	GENERAL MARKET		2 OF 3			
	0 PLACES ±		DRAWING		SERIES				
DRAFT WHERE APPLICABLE MUST REMAIN WITHIN DIMENSIONS		THIRD ANGLE PROJECTION	C-SIZE	215760					

	12	11	10	9	8	7	6	5	4	3	2	1
CKT	POLARIZATION "A"- BLACK		POLARIZATION "B"- NATURAL		POLARIZATION "C" - RED		POLARIZATION "D" - BLUE		POLARIZATION "E" - YELLOW			
H	2											
G	3											
F	4											
E	5											
D	6											
C	7											
B	8											

THIS DRAWING CONTAINS INFORMATION THAT IS PROPRIETARY TO MOLEX ELECTRONIC TECHNOLOGIES, LLC AND SHOULD NOT BE USED WITHOUT WRITTEN PERMISSION											
FUNCTIONAL SYMBOLS		DIMENSION UNITS		SCALE		CURRENT REV DESC:					
	= 0	mm		NTS		EC NO: 844069 DRWN: WYATTH5 2025/12/30 CHK'D: XQZHANG 2026/01/13 APPR: XQZHANG 2026/01/13 INITIAL REVISION: DRWN: HPAN18 2020/10/15 APPR: YXZHENG 2021/02/08					
GENERAL TOLERANCES (UNLESS SPECIFIED)		ANGULAR TOL ± °									
	= 0	4 PLACES ±		3 PLACES ±							
	= 0	2 PLACES ± 0.25		1 PLACE ± 0.36		PRODUCT CUSTOMER DRAWING DOCUMENT NUMBER: 2157600003-SD DOC TYPE: PSD DOC PART: 000 REVISION: A5					
DIVISIONAL SYMBOLS		0 PLACES ±		DRAFT WHERE APPLICABLE MUST REMAIN WITHIN DIMENSIONS		THIRD ANGLE PROJECTION		DRAWING		SERIES	
								C-SIZE		215760	
MATERIAL NUMBER		CUSTOMER		SHEET NUMBER							
2157600003-SD		GENERAL MARKET		3 OF 3							